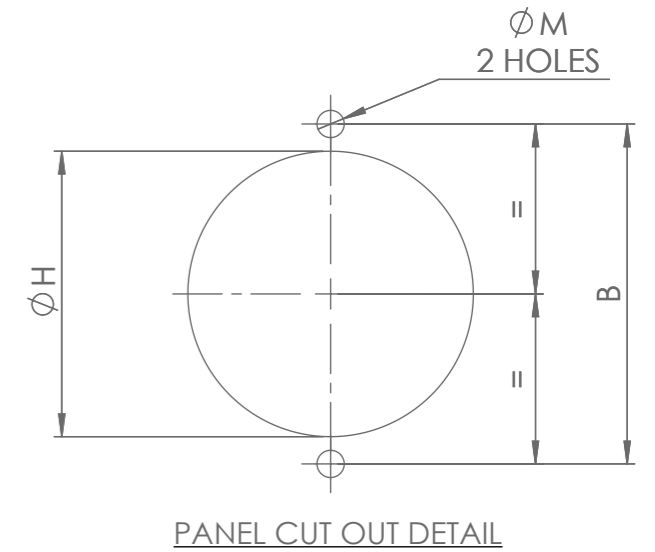
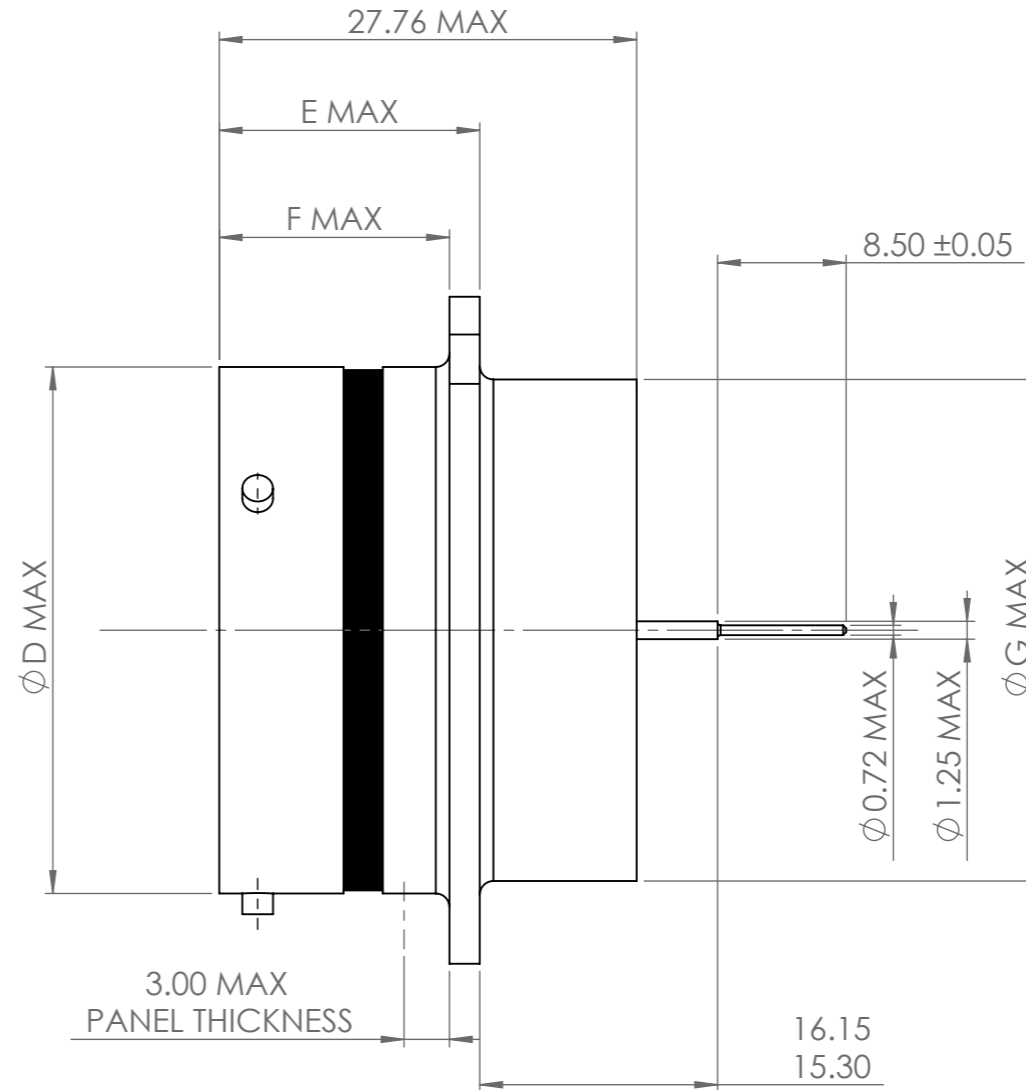
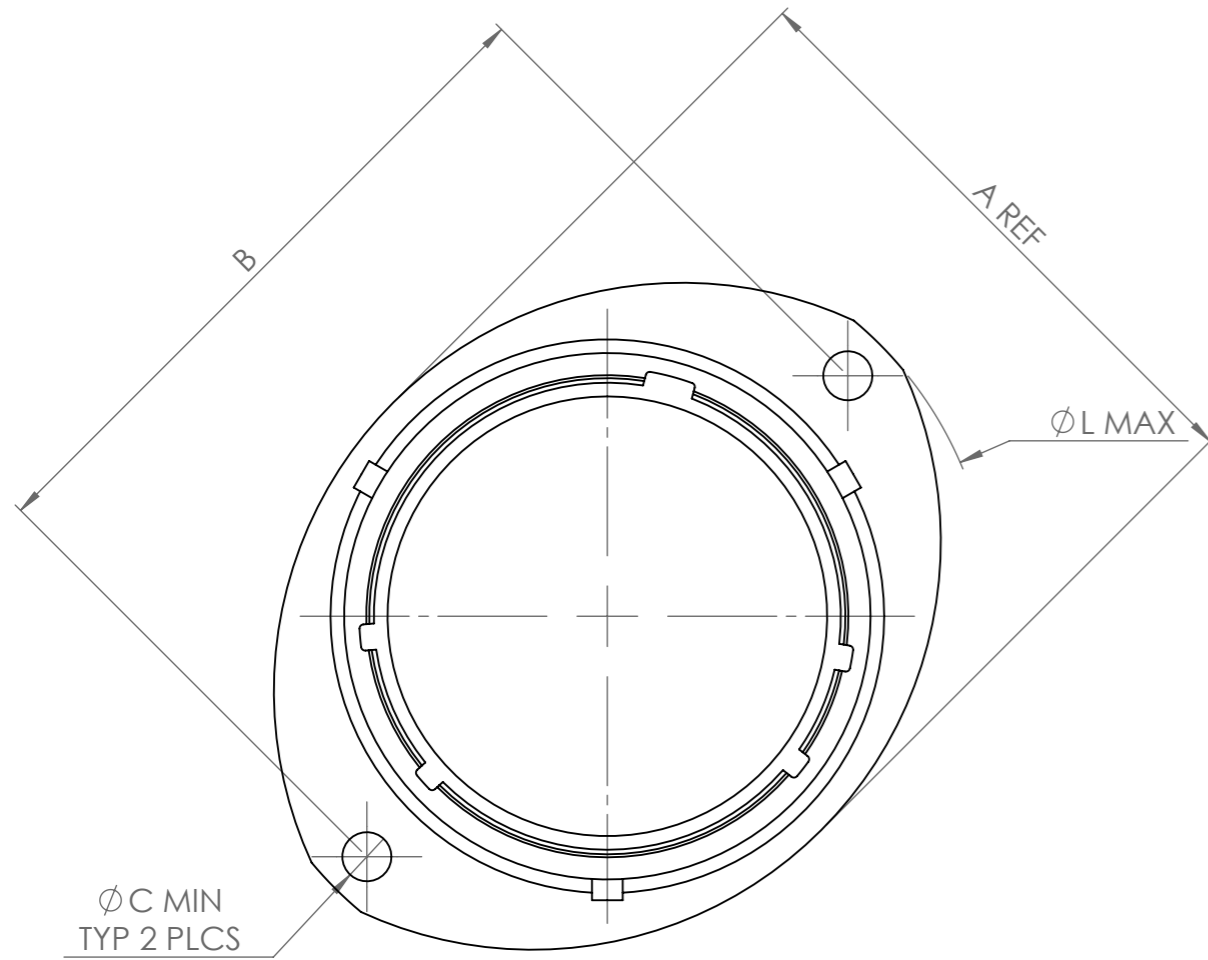
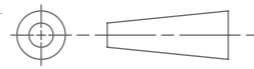


DRAWING NUMBER

604844-ENV

A3

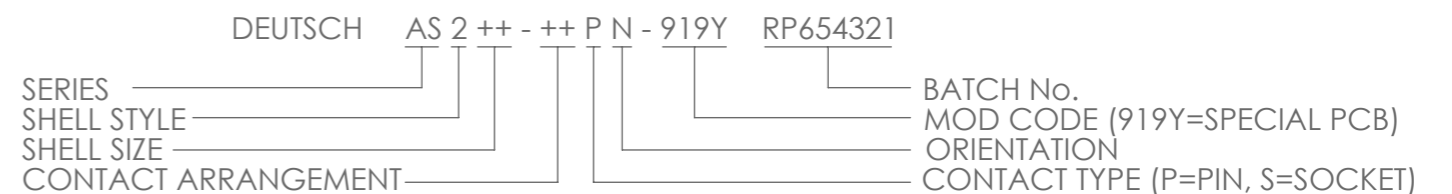
BS 8888  
THIRD ANGLE PROJECTION  
IF IN DOUBT, ASK



SHELL SIZE	A REF	B ±0.20	ØC MIN	ØD MAX	E MAX	F MAX	ØG MAX	ØH ±0.10	ØL MAX	ØM ±0.20
08	16.50	21.40	3.10	12.00	17.34	16.03	11.08	14.50	27.16	3.60
10	19.50	25.90		15.00			14.25	17.40	31.81	
12	24.00	29.10		19.05			17.42	21.90	35.16	
14	27.00	32.50		22.22			20.58	25.00	38.36	
16	30.30	34.80		25.40			23.75	28.20	40.96	
18	33.70	38.20		28.57			26.92	31.40	44.66	
20	37.00	41.60		31.75			30.09	34.60	47.86	
22	40.00	44.90	3.60	34.92	15.27	33.27	37.80	51.06	4.10	
24	43.30	49.30		38.10		36.44	41.00	55.76		

NOTES:

1. BATCH No. & PART No. BREAKDOWN



ISSUE	CHANGE NOTE	DRAWN	CHECKED	APP. ENG.	APP. MARKETING	DATE
A	57495	ADH	JHJ	JAK	D.WATTERS	03/07/09

MATERIAL	HEAT TREATMENT & FINISH	PACKAGING

© THE COPYRIGHT OF THIS DRAWING IS RESERVED BY DEUTSCH UK. IT IS ISSUED ON CONDITION THAT IT IS NOT COPIED, REPRODUCED OR DISCLOSED TO A THIRD PARTY EITHER WHOLLY OR IN PART WITHOUT THE CONSENT IN WRITING OF DEUTSCH UK.

GENERAL TOLERANCES UNLESS OTHERWISE STATED:  
 ±0.4mm ON WHOLE NUMBERS  
 ±0.2mm ON ONE PLACE DECIMALS  
 ±0.1mm ON TWO PLACE DECIMALS  
 ±1/2° ON ANGLES  
 ±0.05mm ON DRILLED HOLES  
 ALL DIAMETERS Ø0.10

REMOVE ALL BURRS AND SHARP EDGES 0.1 MAX. UNLESS OTHERWISE STATED.

DIMENSIONS IN MILLIMETRES UNLESS OTHERWISE STATED.

TITLE  
AS2 PCB BOX MOUNT RECEPTACLE 919Y ENVELOPE DETAIL



DRAWING NUMBER  
604844-ENV