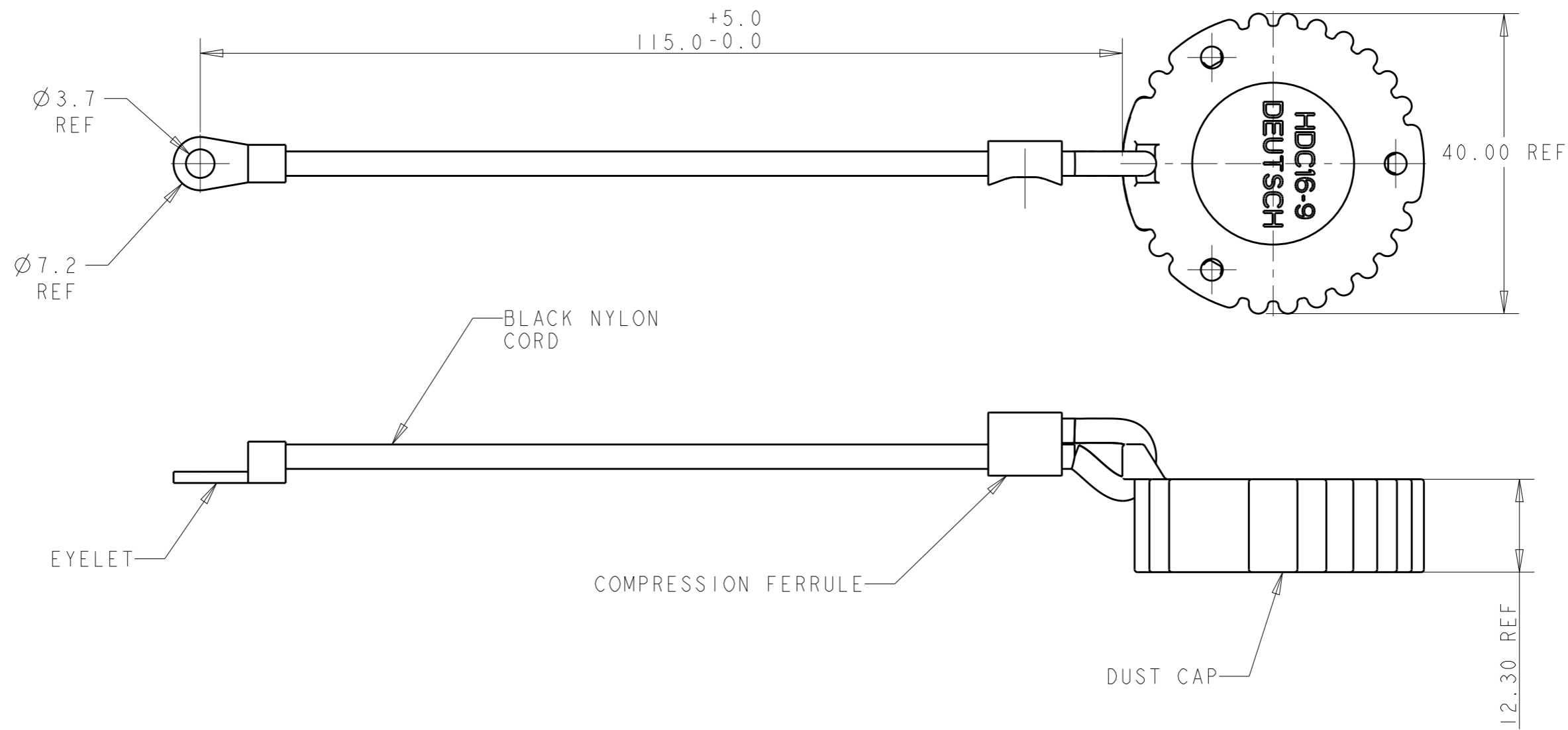


P	LTR	DESCRIPTION	DATE	DWN	APVD
	AB	DUK-66556	10MAR2016	WS	CEO
	AC	REVISED PER E-20-009309	25JUN2020	MK	IG



NOTES:

- INTERNAL MANUFACTURER PART NUMBER:- 429596.
- TCPN/CUSTOMER PART NUMBER:- 429596-ZZ.

THIS DRAWING IS A CONTROLLED DOCUMENT.		DWN K. MUKESH 25JUN2020		
		CHK E. COLTOFF 26JUN2020		
		APVD I. GRANTCHAROVA 26JUN2020	NAME DUST CAP ASSEMBLY	
DIMENSIONS: mm		PRODUCT SPEC -		SIZE A300779
		APPLICATION SPEC -		CAGE CODE C-429596
MATERIAL -		WEIGHT -		RESTRICTED TO -
FINISH -		CUSTOMER DRAWING		SCALE 5:1
				SHEET 1 OF 1
				REV AC