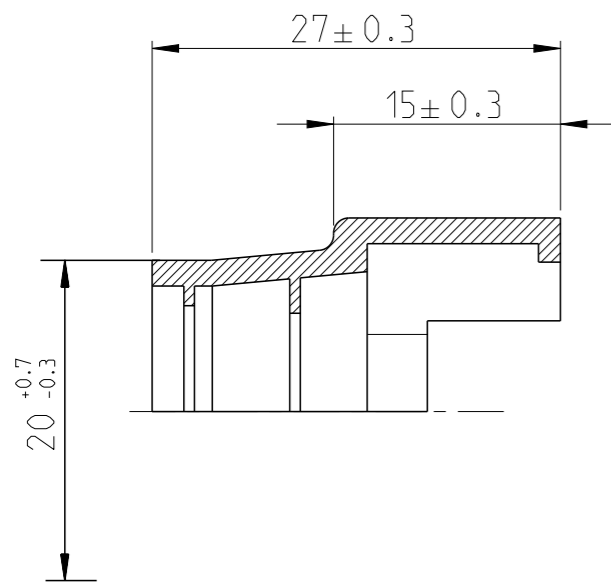


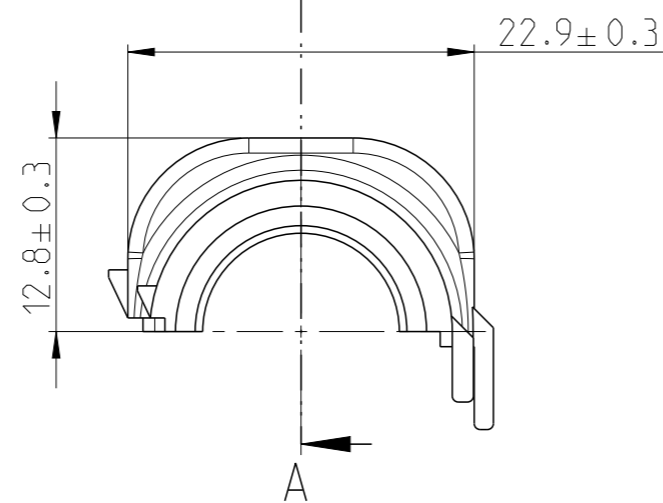
P	LTR	DESCRIPTION	DATE	DWN	APVD
	01	038487	11NOV2000	NDL	NDL
	AA	DUK-68303	06JULY2017	NDL	NDL
	AA1	REVISED PER PCN E-20-007701	29APR2020	SBS	GL

SECTION A-A

AA1



A

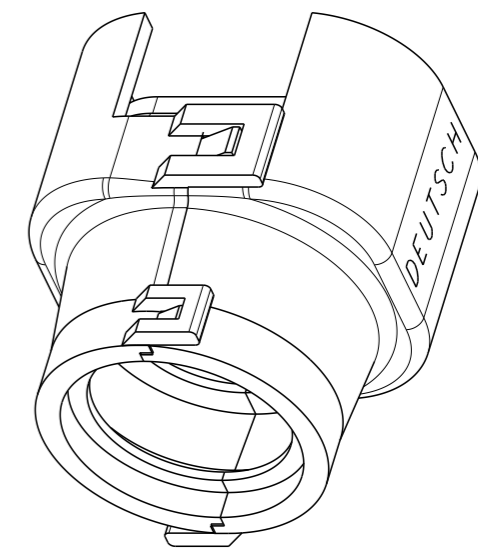
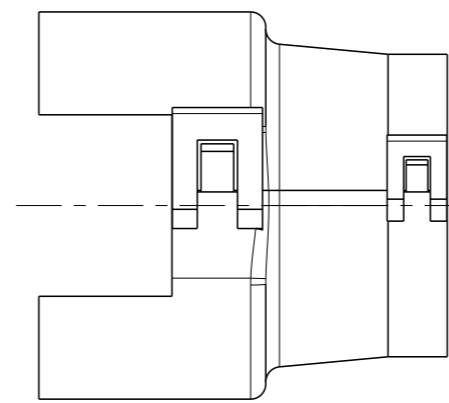
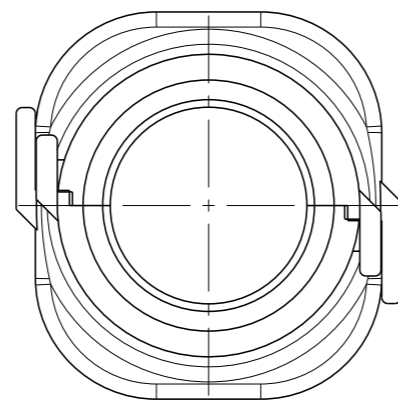
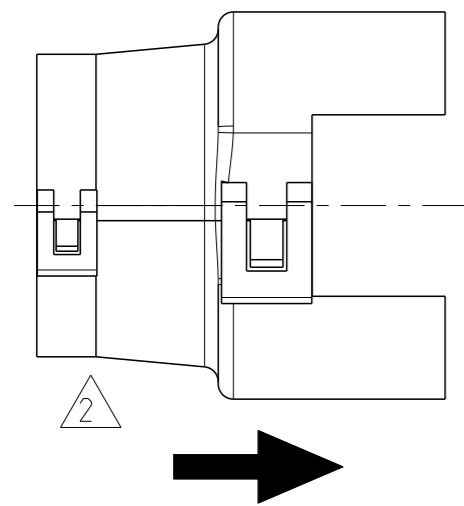


A

AA1 NOTES

- BACKSHELL COMPRISES OF 2 HALVES I.E PART NUMBER 180DTP04 X 2
- INTERFACE FOR $\phi 16$ mm CONDUIT
- BURRS AND SHARP EDGES 0.1mm MAX UNLESS OTHERWISE STATED

AA1 BACKSHELL ASSEMBLY VIEW



3D ISO VIEW

<small>TOLERANCES UNLESS OTHERWISE SPECIFIED ACC. TO DIN 16901-140 CENTRIC TO NOMINAL DIMENSION. EDITION 1982-11 SHALL APPLY. Freimastoleranzen nach DIN 16901-140. Es gilt die Ausgabe 1982-11.</small>		DWN SHAMANTH BS 25APR2020 CHK G.LINDEMANN 27APR2020 APVD G.LINDEMANN 27APR2020	
THIS DRAWING IS A CONTROLLED DOCUMENT.		PRODUCT SPEC - APPLICATION SPEC - WEIGHT -	
DIMENSIONS: mm	TOLERANCES UNLESS OTHERWISE SPECIFIED: 0 PLC \pm 1 PLC \pm 2 PLC \pm 3 PLC \pm 4 PLC \pm ANGLES \pm	NAME BACKSHELL.IN-LINE FOR 180-DTP04 SIZE A3 CAGE CODE 00779 C=D429545-ENV	
MATERIAL - -	FINISH - -	CUSTOMER DRAWING	RESTRICTED TO



SCALE 2:1	SHEET 1 OF 1	REV AA1
-----------	--------------	---------