

Flange $\varnothing 3.96 \pm 0.04$
[Collette $\varnothing 100.1 \pm 11$]

3-1/2 on flats
[88.9 sur plats]

External panel nut $\varnothing 3.94 \pm 0.04$
[\varnothing Ext. Ecrou panneau 100.1 ± 11]

Panel thickness 0.1 to 0.76
[Epaisseur panneau 2.54 ± 0.19.31]

Holes for safety wire $\varnothing 0.06$ max
[Trous pour fil trein $\varnothing 1.52$ max]



Product date-code = molding batch of upper shell (side screws)
[Date-code produit = lot de moulage du boîtier supérieur (côté vis)]

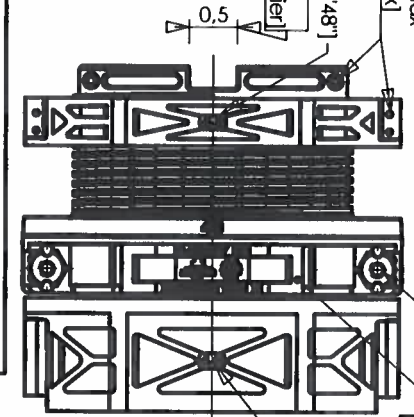
Item Rep	Qty	Delivered w/ it:
1	2	Half shell
2	2	Half jam nut
3	2	Half gland nut
4	2	Gasket

Material:
Thermoplastic and fluorosilicon
Specification: référence BPS-S-220
Masse: 244 g ± 10%

Material:
Thermoplastic and fluorosilicon
Specification: référence BPS-S-220
Masse: 244 g ± 10%

<< Delivered without sealing system [livré sans système d'étanchéité] >>

SUPERSEDED P/N
BACCS31T48H D-EASY 05



Locking by 2 screws $\varnothing .164$ (8-32)
[Fermeture par 2 vis \varnothing (8-32)]

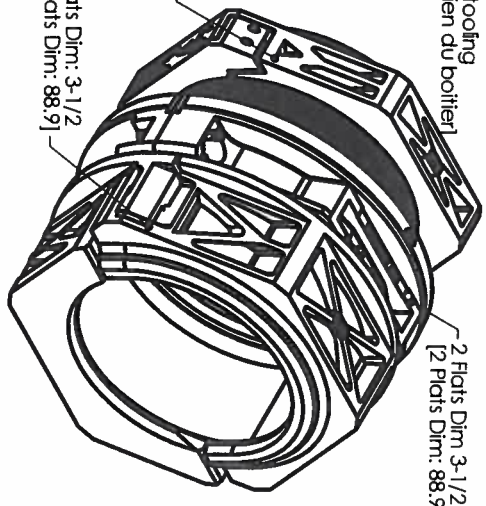
Interface for retaining tooling
[Interface pour maintenir du boîtier]

Marking "48"
[Marquage "48"]

6 Flats Dim: 3-1/2
[6 Plats Dim: 88.9]

6 Flats Dim: 3-1/2
[6 Plats Dim: 88.9]

Curved min 100 inches inside radius
[Panneau incurvé R.int 2540 min]



MOUNTING HOLE
[Perçage panneau]

D-EASY 05

$\varnothing 3 \pm 0.03$
[$\varnothing 76.2 \pm 0.761$]

2 Flats Dim 3-1/2
[2 Plats Dim: 88.9]

Revised	Date	Observations	DESIGNATION	DATE	REF: P/N:
b	21-12-06	OE581206	SERIE D-EASY	24/01/06	D-EASY 05
c	03-08-06	Updating	HOUSING KIT 48		
ORIGINE:	DE010/05				

DEUTSCH
Connecteurs Electriques Deutsch
17, rue LAVOISIER - BP 117 - 27091 EVREUX CEDEX 09 - FRANCE

TECHNICAL DATA SHEET

204-19 8/00