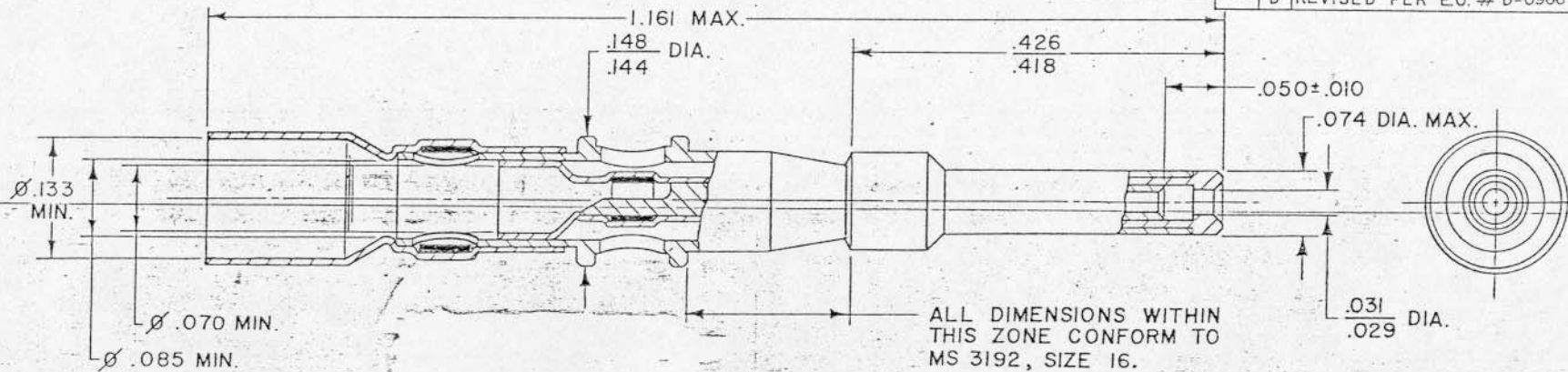


REV. NO.	DESCRIPTION	DATE	APPROVED
E	REVISED PER E.O.#D-1019	2/28/80	MP
F	REVISED PER E.O.#D-1284	5/1/82	MP
G	REVISED PER E.O.#D-1405	9/2/82	MP
H	REVISED PER ECN T-17075	9/2/26	M. Hagg



NOTES:

1. THIS CONTACT IS DESIGNED FOR USE IN MIL-C-26482, SERIES I SIZE 16 CAVITIES.
2. THIS CONTACT IS DESIGNED TO TERMINATE TO THE CABLES IN TABLE. OTHER APPLICATIONS SHOULD BE SUBMITTED TO RAYCHEM FOR EVALUATION:
3. FOR TERMINATION PROCEDURE: SEE ES 61137
4. MATING CONTACT (FOR SIMILAR CABLES) D-602-47

RG CABLE NO.	RAYCHEM CABLE NO.
RG - 179 B/U	5026A IXIX
RG - 187/U	5030A IXIX
RG - 316 /U	7528A IXIX
	7530A IXIX
	9532A IXIX

CONTACT CHARACTERISTICS:

MATERIALS:

CONTACT MEMBERS: COPPER ALLOY PER QQ-B-626 & QQ-C-530
 CONTACT PLATING: GOLD PER MIL-G-45204, NICKEL PER QQ-N-290 OVER COPPER FLASH.

DIELECTRIC:

FLUOROPOLYMER.

SOLDER:

SN63 PER QQ-S-571

CABLE SUPPORT TUBING: POLYVINYLIDENE FLUORIDE PER MIL-I-23053

PERFORMANCE:

TEMPERATURE RATING: 125° C. MAXIMUM
 CURRENT RATING: 3 AMPS
 VOLTAGE RATING: DIELECTRIC WITHSTAND VOLTAGE, 900 VOLTS RMS, MAXIMUM
 CONTACT RESISTANCE: 10 MILLIOHMS MAXIMUM (INNER); 8 MILLIOHMS MAXIMUM (OUTER)
 INSULATION RESISTANCE: 5,000 MEGOHMS MINIMUM
 ENGAGEMENT FORCE, INNER SOCKET: 6.0 OZ. MAXIMUM.
 SEPARATION FORCE, INNER SOCKET: 0.5 OZ. MINIMUM.

CONNECTOR SPECIFICATION CONTROL DRAWING

UNLESS OTHERWISE SPECIFIED DIMENSIONS ARE IN INCHES. BRACKETED DIMENSIONS () ARE METRIC AND TOLERANCES ARE: XXX: ± () XX: ± () Δ: ±	DRAWN	DWW	2-15-80	Tyco Electronics Corporation 200 Grand Central Drive Menlo Park, CA 94025 USA Raychem
	CHECKED			
	APPROVED			
	APPROVED	HV	5/27/80	
	APPROVED			TITLE
				SHIELDED CONTACT, PIN
	SIZE	CODE IDENT	DWG. NO.	
	C	NO. 06090	D-602-46	
				WEIGHT: 0.0100 SHEET: 0095

If this document is printed it becomes uncontrolled.
 Check for the latest revision.

DO NOT SCALE THIS DRAWING