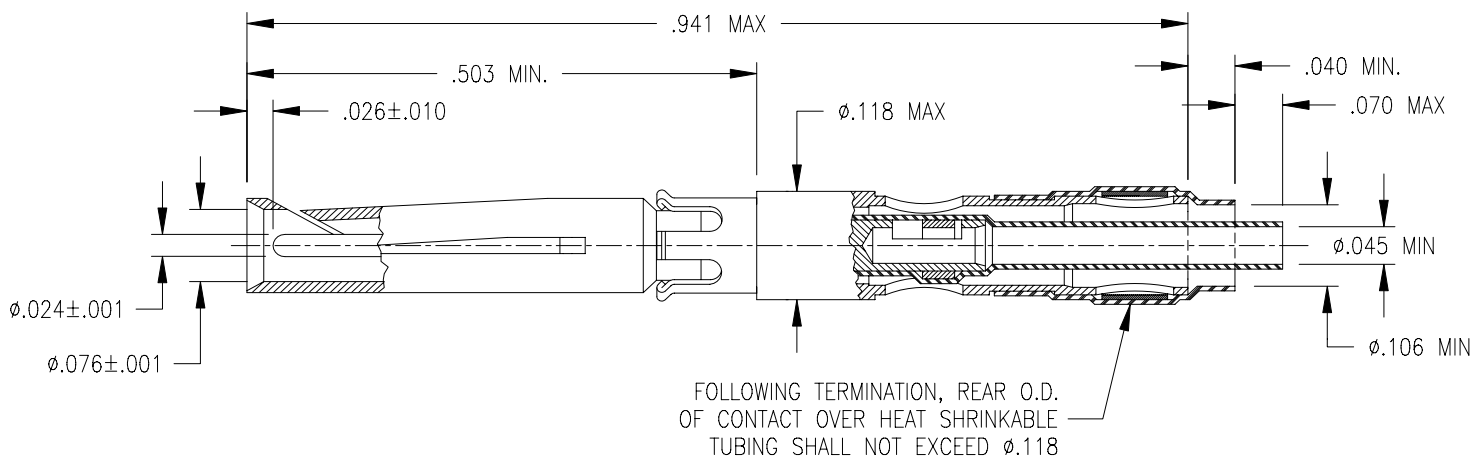




THIS DRAWING AND THE INFORMATION SET FORTH HEREON ARE THE PROPERTY OF TYCO ELECTRONICS CORPORATION, AND ARE TO BE HELD IN TRUST AND CONFIDENCE. PUBLICATION, DUPLICATION, DISCLOSURE, OR USE FOR ANY PURPOSE NOT EXPRESSLY AUTHORIZED IN WRITING BY TYCO ELECTRONICS IS PROHIBITED.

If this document is printed it becomes uncontrolled.
Check for the latest revision.

REVISIONS			
LTR	DESCRIPTION	DATE	APPROVED
B	REVISED PER DCR# T-21385	5/13/97	MHIGGY
C	REVISED PER DCR# T-22434	10/15/98	MHIGGY
D	REVISED PER DCR# D030455	10/31/03	MHIGGY



NOTES:

1. THIS CONTACT IS DESIGNED TO BE USE FOR RESISTOR TERMINATORS, AND IS INTENDED TO BE USED ONLY BY RAYCHEM.
2. MATING CONTACT: D-602-0154, D-602-54 AND D-602-0126.
3. THIS CONTACT MEETS THE REQUIREMENTS OF RAYCHEM SPECIFICATION D-6002.

CONTACT CHARACTERISTICS:

MATERIALS:

1. OUTER CONTACT: COPPER ALLOY PER ASTM B196.
PLATING: GOLD PER ASTM B488 (MIL-G-45204), NICKEL PER AMS QQ-N-290, OVER COPPER FLASH.
2. INNER CONTACT: BRASS PER ASTM B16/B16M.
PLATING: GOLD PER ASTM B488 (MIL-G-45204), NICKEL PER AMS QQ-N-290, OVER COPPER FLASH.
3. RETAINING CLIP: COPPER ALLOY PER ASTM B194.
PLATING: NICKEL PER AMS QQ-N-290.
3. DIELECTRIC: ETFE FLUOROPOLYMER PER ASTM D3159.
4. SOLDER: SN63 PER ANSI/J-STD-006.
FLUX: ROL1 PER ANSI/J-STD-004.
5. CABLE SUPPORT TUBING: HEAT-SHRINKABLE, RADIATION CROSS-LINKED POLYVINYLIDENE FLUORIDE.

PERFORMANCE:

- TEMPERATURE RATING: -65°C TO 125°C
 CURRENT RATING: 3 AMPS
 VOLTAGE RATING: DIELECTRIC WITHSTANDING VOLTAGE: 900 VOLTS RMS, MAXIMUM.
 CONTACT RESISTANCE: 10 MILLIOHMS MAXIMUM (INNER)
 8 MILLIOHMS MAXIMUM (OUTER)
 INSULATION RESISTANCE: 5000 MEGAOHMS MINIMUM.
 ENGAGEMENT FORCE: OUTER SOCKET: 20.0 OZ. MAXIMUM
 SEPARATION FORCE: OUTER SOCKET: 2.0 OZ. MINIMUM

SPECIFICATION CONTROL DRAWING

UNLESS OTHERWISE SPECIFIED DIMENSIONS ARE IN INCHES. METRIC DIMENSIONS ARE IN BRACKETS.	DRAWN	MFORONDA	09.17.03	tyco Electronics	Tyco Electronics Corporation 300 Constitution Drive Menlo Park, CA. 94025 U.S.A.	Raychem	
	CHECKED						
DECIMALS .XXX ± _____ .XX ± _____ ANGLES _____	APPROVED	M.HIGGY	09.17.03	TITLE SHIELDED CONTACT, SOCKET TWISTED PAIR			
	APPROVED						
WEIGHT ---	CAD NAME: D030455.dwg			SIZE A	CODE IDENT. NO. 06090	DWG. NO. D-602-0155	REV D
	THIRD ANGLE PROJECTION			DO NOT SCALE THIS DRAWING		SHEET 1 OF 1	

