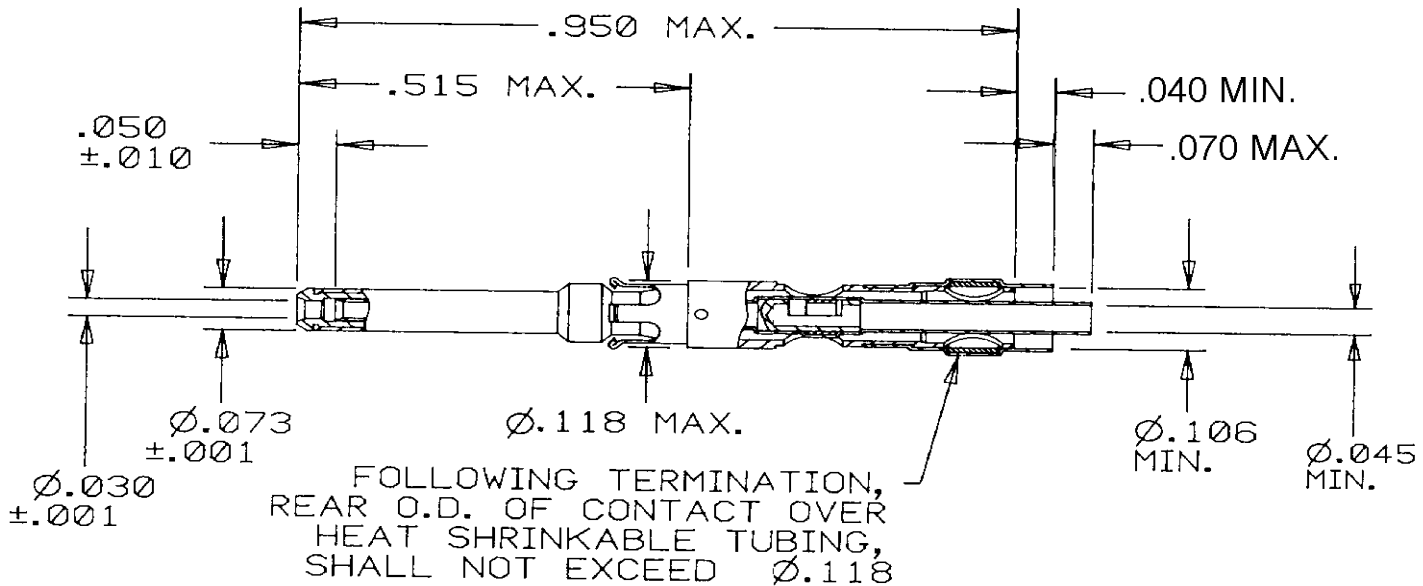


REVISIONS			
LTR	DESCRIPTION	DATE	APPROVED
A	REVISED PER E.C.N. T-8531	87-9-18	<i>[Signature]</i>
B	REVISED PER DCR# T22433	10/16/98	M.HIGGY

NOTES:

1. THIS CONTACT IS DESIGNED TO BE USED FOR RESISTOR TERMINATORS, AND INTENDED TO BE USED ONLY BY RAYCHEM.
2. MATING CONTACT: D-602-0155, D-602-55 AND D-602-0127.
3. THIS CONTACT MEETS THE REQUIREMENTS OF RAYCHEM SPECIFICATION D-6002.



If this document is printed it becomes uncontrolled.
Check with the web for latest revision.

SPECIFICATION CONTROL DRAWING © Raychem Corporation 1987

UNLESS OTHERWISE SPECIFIED
DIMENSIONS ARE IN INCHES.
METRIC DIMENSIONS ARE
IN BRACKETS.

DECIMALS
.XXX ± { mm}
.XX ± N/A { mm}
ANGLES
.X ±
WEIGHT
lbs { g}

DRAWN	terry	86-11-21
CHECKED		
APPROVED		
APPROVED	I.M.	86-12-18
CAD NAME T22433a.PCX		
THIRD ANGLE PROJECTION		

<i>Raychem</i>		RAYCHEM CORPORATION 300 CONSTITUTION DRIVE MENLO PARK, CALIFORNIA 94025	
TITLE TWISTED PAIR SHIELDED PIN CONTACT			
SIZE A	CODE IDENT. NO. 06090	DWG. NO. D-602-0154	REV B
DO NOT SCALE THIS DRAWING		NONE	SHEET 1 OF 2

- 1.0 CONTACT CHARACTERISTICS
- 1.1 MATERIALS AND FINISHES
 - 1.1.1 OUTER CONTACT: COPPER ALLOY PER QQ-B-626
GOLD PER MIL-G-45204 OVER NICKEL PER QQ-N-290
OVER COPPER FLASH
 - 1.1.2 INNER CONTACT: COPPER ALLOY PER QQ-C-530
GOLD PER MIL-G-45204 OVER NICKEL PER QQ-N-290
OVER COPPER FLASH
 - 1.1.3 SPRING MEMBER: COPPER ALLOY PER QQ-C-533
NICKEL PER QQ-N-290
 - 1.1.4 INSULATION: FLUOROPOLYMER
 - 1.1.5 SOLDER: SN63 PER QQ-S-571
 - 1.1.6 CABLE SUPPORT TUBING: POLYVINYLIDENE FLUORIDE
- 1.2 PERFORMANCE
 - 1.2.1 TEMPERATURE RATING: -65° C TO 125° C.
 - 1.2.2 CURRENT RATING: 3 AMPS
 - 1.2.3 VOTAGE RATING: DIELECTRIC WITHSTANDING VOLTAGE
900 VOLTS RMS MAX.
 - 1.2.4 CONTACT RESISTANCE: INNER, 10 MILLIOHMS MAX.
OUTER, 8 MILLIOHMS MAX.
 - 1.2.5 INSULATION RESISTANCE: 5000 MEGAOHMS MIN.
 - 1.2.6 ENGAGEMENT FORCE: INNER SOCKET 6.0 OZ. MIN.
 - 1.2.7 SEPARATION FORCE: INNER SOCKET 0.5 OZ. MIN.

If this document is printed it becomes uncontrolled.
Check with the web for latest revision.

CAD NAME T22433.PCX

DRAWN	terry	86-11-21	SIZE	CODE IDENT. NO.	DWG. NO.	REV
ISSUED			A	06090	D-602-0154	B
			DO NOT SCALE THIS DRAWING		NONE	SHEET 2 OF 2