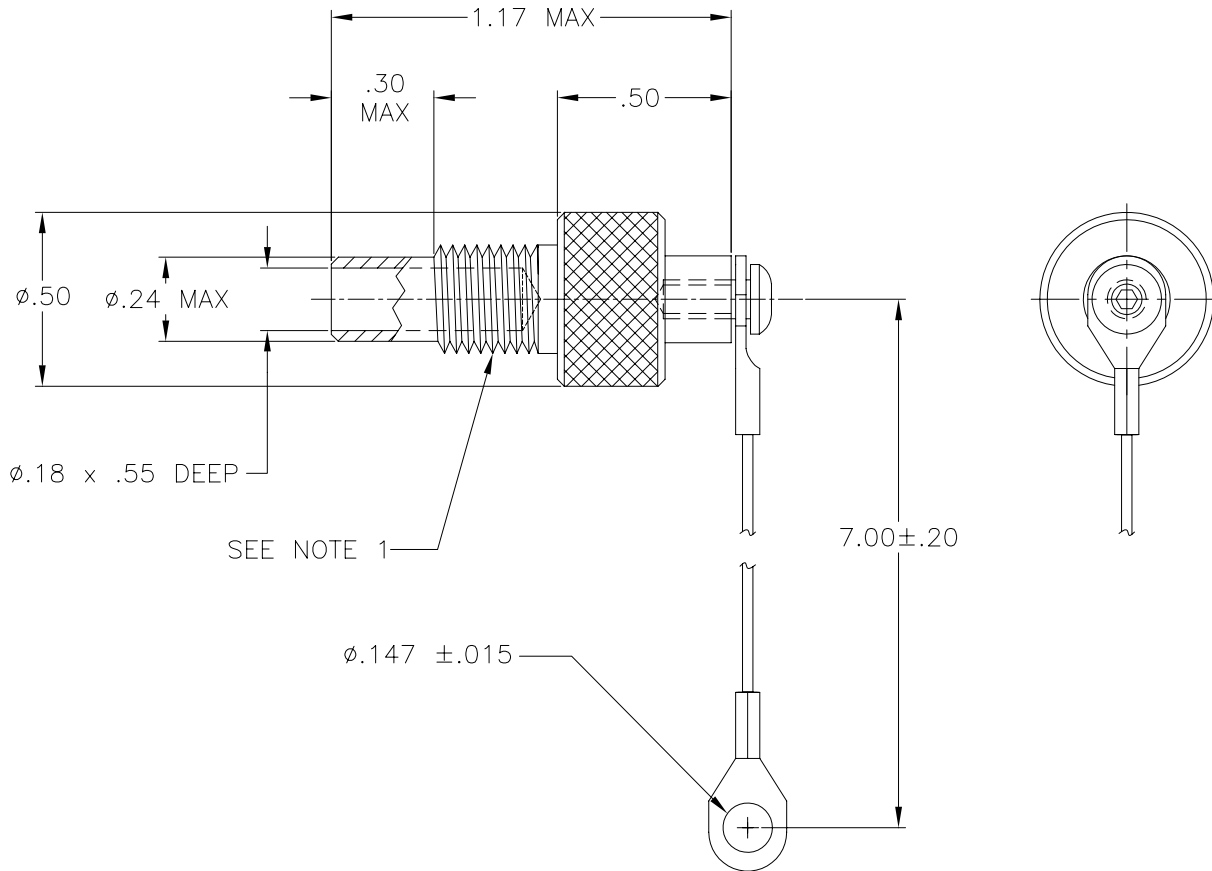


If this document is printed it becomes uncontrolled. Check for the latest revision

REVISION		
REV	DESCRIPTION	DATE
B	REVISED DWG PER DCR NO. C050840	1/26/2006



NOTES:

1. THIS DUST CAP IS FOR USE ON A 5/16-32 UNEF-2B THREADED PLUG CONNECTOR.

2. MATERIALS AND FINISHES;

DUST CAP: BRASS ALLOY 360, HALF HARD PER ASTM-B16/B16M
TIN PLATED PER RAYCHEM SPEC ES61400/18

LANYARD: STAINLESS STEEL, NYLON COATED

EYELET: STAINLESS STEEL

SPECIFICATION CONTROL DRAWING
© 2005-2006 Tyco Electronics Corporation. All Rights Reserved.

UNLESS OTHERWISE SPECIFIED, DIMENSIONS ARE INCHES. METRIC DIMENSIONS ARE IN BRACKETS. DECIMAL TOLERANCES .XXX ±--- [--- mm] .XX ±.01 [--- mm] .X ±--- [--- mm] ANGLE TOLERANCE .X ±--- WEIGHT	DRAWN G.ROSITANO	DATE 4/7/05		Tyco Electronics 300 CONSTITUTION DRIVE MENLO PARK, CALIFORNIA 94025 USA	
	MATERIAL FINISH		TITLE DUST CAP ASSEMBLY THREADED JACK, WITH LANYARD		
CAD FILE C050840	THIRD ANGLE PROJECTION 		SIZE A	CODE IDENT. NO. 06090	DWG. NO. D-600-0076
DO NOT SCALE THIS DRAWING				SHEET 1 OF 1	