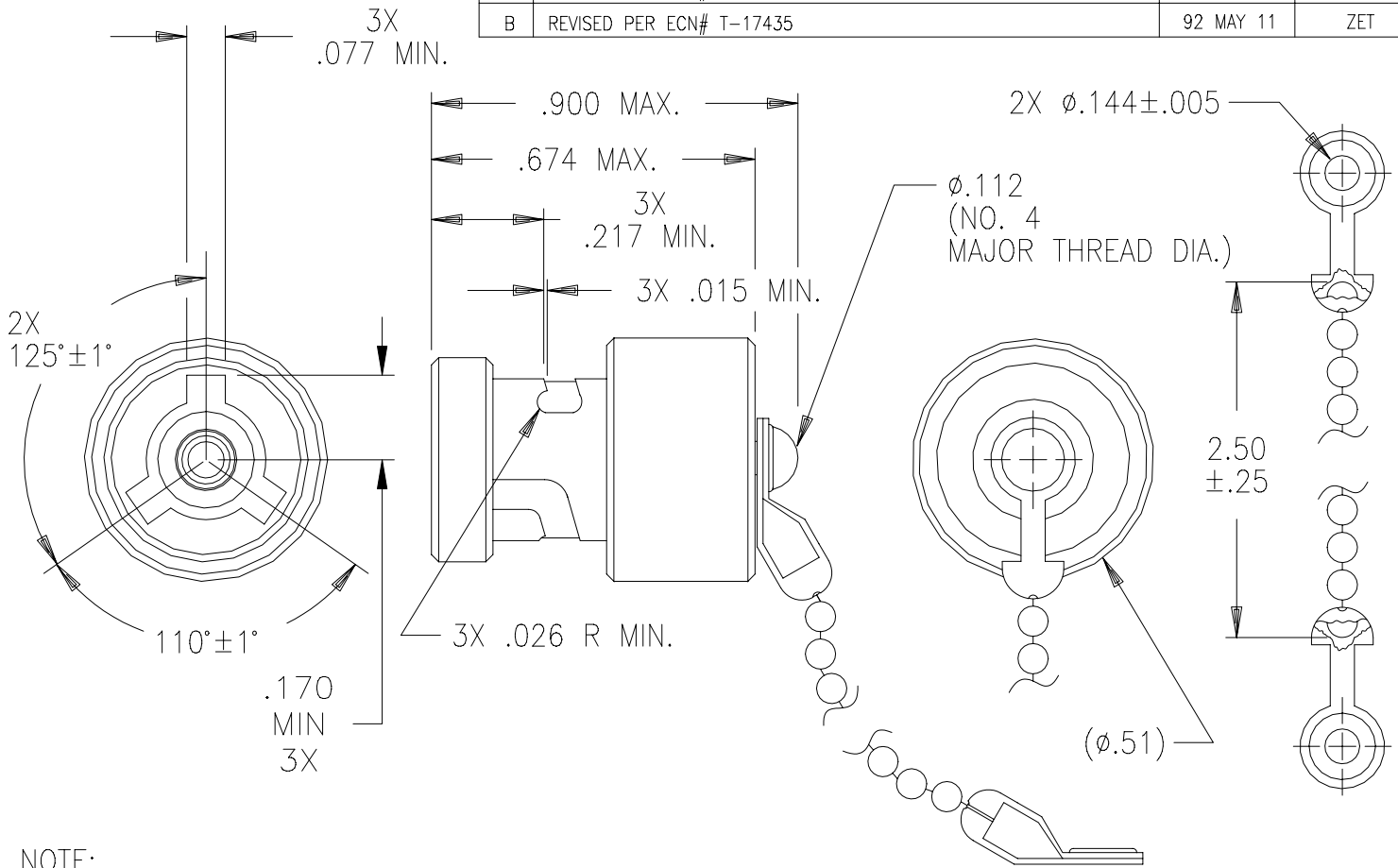


REVISIONS			
LTR	DESCRIPTION	DATE	APPROVED
A	REVISED PER ECN# T-14649	90 AUG 3	Z. TEMAN
B	REVISED PER ECN# T-17435	92 MAY 11	ZET



NOTE:

THIS DUST CAP IS TO BE USED WITH INTERFACE "A", "B" AND "C" CONNECTOR ONLY.

1.0 MATERIALS AND FINISHES

- 1.1 DUST CAP PLUG: BECU PER QQ-C-530C, ALLOY 173, CONDITION A OR H
TIN PLATED PER MIL-T-10727, OVER NICKEL PER MIL-C-26074
- 1.2 INTERFACIAL SEAL: SILICONE RUBBER
- 1.3 COUPLING NUT: BECU PER QQ-C-530C, ALLOY 173, CONDITION A OR H
TIN PLATED PER MIL-T-10727, OVER NICKEL PER MIL-C-26074
- 1.4 RIVET WASHER WITH BEAD CHAIN: STAINLESS STEEL,
PASSIVATED PER QQ-P-35

If this document is printed it becomes uncontrolled.
Check with the web for latest revision.

SPECIFICATION CONTROL DRAWING

© Raychem Corporation 1990

UNLESS OTHERWISE SPECIFIED
DIMENSIONS ARE IN INCHES.
METRIC DIMENSIONS ARE
IN BRACKETS.

DECIMALS
.XXX ± — [— mm]
.XX ± — [— mm]
ANGLES
.X — ± —
WEIGHT
— lbs [— g]

DRAWN	J.B.K.	90 JUNE 25
CHECKED		
APPROVED		
APPROVED	Z.TEMAN	90 JUNE 28
CAD NAME	4934-1	
THIRD ANGLE PROJECTION		

Raychem

RAYCHEM CORPORATION
300 CONSTITUTION DRIVE
MENLO PARK, CALIFORNIA 94025

TITLE
DUST CAP,
BAYONET, COUPLED,
INTERFACE "A", "B" AND "C"

SIZE	CODE IDENT. NO.	DWG. NO.	REV
A	06090	D-600-0068-2	B
DO NOT SCALE THIS DRAWING			SHEET 1 OF 1