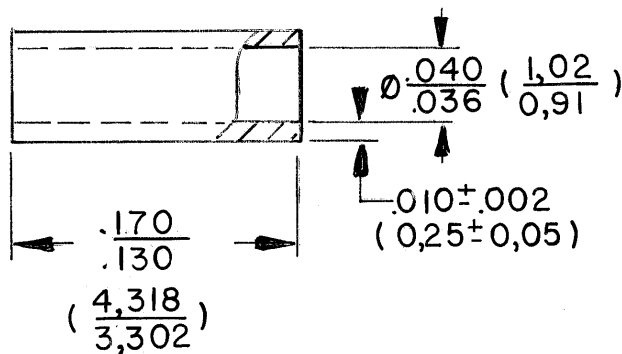


This drawing and the information set forth hereon are the property of Raychem Corporation, and are to be held in trust and confidence. Publication, duplication, disclosure, or use for any purpose not expressly authorized in writing by Raychem Corporation is prohibited.

REVISIONS			
LTR	DESCRIPTION	DATE	APPROVED
—	RELEASED PER E.O. #D-1653	8-18-83	345
A	REV. PER E.O. D-3421	5-17-85	345



NOTE: THIS PART IS USED TO ACCOMMODATE RG 178 IN THE FOLLOWING RAYCHEM SOLDERTACT® PRODUCTS:

D-602-44	D-602-45
D-602-46	D-602-47
D-602-72	D-602-73
D-602-76	D-602-77

MATERIAL: POLYVINYLDIFLUORIDE
COMPOUND 302
OPAQUE, M.S. #196

If this document is printed it becomes uncontrolled.
Check with the web for latest revision.

SPECIFICATION CONTROL DRAWING

DO NOT SCALE THIS DRAWING	DRAWN		terry 8-16-83		Raychem	RAYCHEM CORPORATION 300 CONSTITUTION DRIVE MENLO PARK, CALIFORNIA 94025	
	CHECKED					TITLE	
UNLESS OTHERWISE SPECIFIED DIMENSIONS ARE IN INCHES AND TOLERANCES ARE: .XXX : ± .XX : ± .X : ±	APPROVED				DIELECTRIC BARRIER		
	APPROVED		345 8-16-83				
MATERIAL	PART NO.				SIZE	FSCM NO.	DWG. NO.
FINISH	PROJECT				A	06090	D-600-0018
	SCALE				WEIGHT		SHEET OF