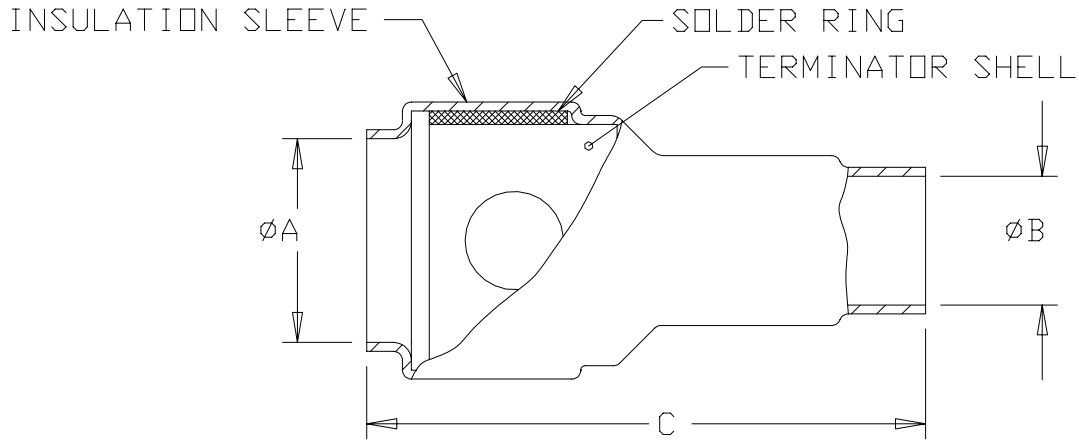


| REVISIONS | | | |
|-----------|---------------------------|-----------|----------|
| LTR | DESCRIPTION | DATE | APPROVED |
| NC | RELEASED PER ECN# T-9604 | 88 FEB 21 | ZET |
| A | REVISED PER ECN# T-012379 | | |

If this document is printed it becomes uncontrolled.
Check with the web for latest revision.



| | A | B | C |
|------------|------|------|------|
| | MIN | MIN | MAX |
| D-600-0014 | .220 | .149 | .650 |
| D-600-0015 | .193 | .181 | .750 |
| D-600-0016 | .182 | .149 | .750 |
| D-600-0017 | .242 | .181 | .650 |

NOTES:

I. PART DESCRIPTION:

A. MATERIAL:

1. INSULATION SLEEVE: HEAT SHRINKABLE POLYVINYLENE FLUORIDE.
2. SOLDER RING: COMPOSITION Sn63, PER QQ-S-571.
3. TERMINATOR SHELL: BRASS ALLOY, PER QQ-B-626C.

B. FINISH:

1. TERMINATOR SHELL: SOLDER-PLATED PER MIL-P-81728A OVER NICKEL PER QQ-N-290.

SPECIFICATION CONTROL DRAWING ^{Raychem} © Raychem Corporation 1987

| | | | | | | |
|---|----------|-----|----------|---|--|--|
| UNLESS OTHERWISE SPECIFIED DIMENSIONS ARE IN INCHES. METRIC DIMENSIONS ARE IN BRACKETS. DECIMALS .XXX ± NA [mm] .XX ± NA [mm] ANGLES .X ± NA WEIGHT lbs [g] | DRAWN | RDL | 88-16-2 | RAYCHEM CORPORATION 300 CONSTITUTION DRIVE MENLO PARK, CALIFORNIA 94025 | | |
| | CHECKED | | | TITLE BRAID TERMINATOR ASSEMBLY | | |
| | APPROVED | | | | | |
| | APPROVED | ZET | 88-17-2 | SIZE CODE IDENT. NO. DWG. NO. REV A 06090 D-600-0014/0017 A | | |
| CAD NAME | | | 003265-1 | | | |
| THIRD ANGLE PROJECTION | | | | DO NOT SCALE THIS DRAWING | | |
| SHEET 1 OF 1 | | | | | | |