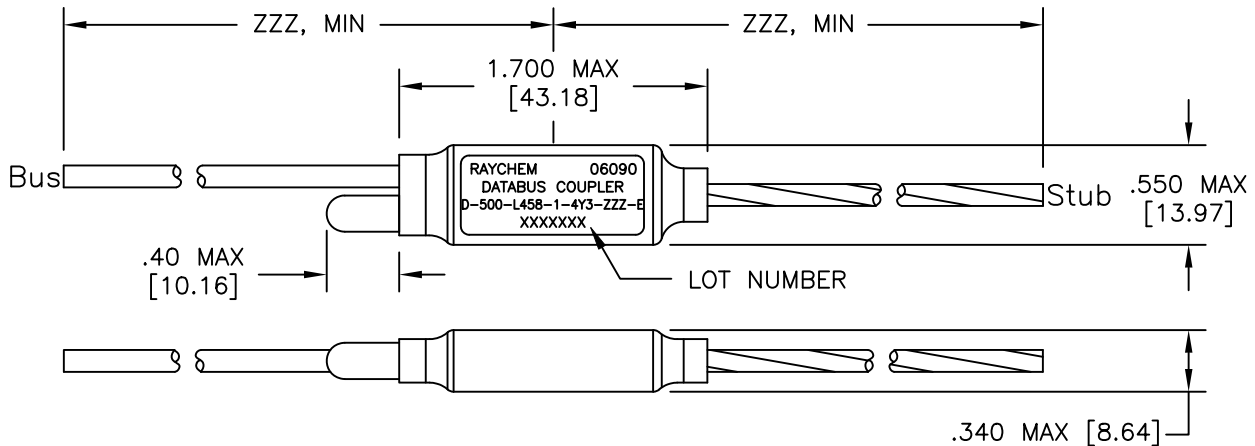


REVISION			
REV	DESCRIPTION	DATE	APPVD
A3	REINSTATED CD PER ECO-18-009860	7/03/2018	I.M.



**COMPONENT NUMBER**

D-500-L458-1-4Y3-ZZZ-E

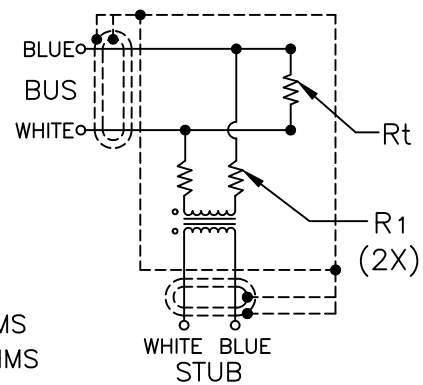
8: REVERSE CONFIGURATION W/INT TERMINATOR

No. OF STUBS

CABLE LENGTH (INCHES)

CABLE TYPE: 7724Y3664  
DOUBLE SHIELD CONSTRUCTION

**SINGLE STUB COUPLER SCHEMATIC**



**1.0 MATERIAL AND FINISHES:**

**1.1 INTERNAL COMPONENTS:**

- TRANSFORMER TO MIL-PRF-21038 AND MIL-STD-1553B
- RESISTORS, ISOLATION (R1) TO MIL-PRF-39007/9, 57.6 OHMS
- RESISTOR, TERMINATION (Rt) TO MIL-PRF-39007/9, 76.8 OHMS

**1.2 SHIELDED CASE: ALUMINUM PER ASTM B618 OR ASTM B211.**

**1.3 SEALED COVER: MODIFIED CROSS-LINKED, FLAME RETARDANT, BLACK, FLUOROPOLYMER TO RAYCHEM SPECIFICATION RT-370**

**1.4 CABLE TO RAYCHEM SPECIFICATION: 1200.**

**2.0 APPLICATION:**

2.1 THIS COUPLER IS DESIGNED TO BE INSTALLED INTO A DIGITAL MULTIPLEX ASSEMBLY MEETING THE REQUIREMENTS OF MIL-STD-1553B.

2.2 CABLE SPLICING: USE FLEXIBLE SPLICE KIT D-150-0250-RT OR D-150-0251-RT (NOT SUPPLIED)

2.3 CABLE BEND RADIUS PER SAE-AS50881 STATIC BEND: 5 x CABLE O.D. MIN.  
DYNAMIC BEND: 10 x CABLE O.D. MIN.

**3.0 TEMPERATURE:**

3.1 OPERATING TEMPERATURE: -65°C TO +150°C

**4.0 PERFORMANCE SPECIFICATIONS:**

4.1 COUPLER MEETS THE PERFORMANCE REQUIREMENTS OF MIL-STD-1553B.

**5.0 WEIGHT:**

5.1 WEIGHT WITHOUT CABLE: 7.3g MAX.

**Raychem Databus CUSTOMER DRAWING**

© 2017-2018 TE Connectivity Corporation. All Rights Reserved.

UNLESS OTHERWISE SPECIFIED DIMENSIONS ARE INCHES. METRIC DIMENSIONS ARE IN BRACKETS. DECIMAL TOLERANCES .XXX ±--- [---mm] .XX ±--- [---mm] .X ±--- [---mm] ANGLE TOLERANCE .X ±---	DRAWN G.Rositano	DATE 12/28/2016		TE Connectivity		
	MATERIAL	FINISH		TITLE DBUS MICROCOUPLER, SINGLE STUB, REV w/INT TERM. w/7724Y3664 CABLE, LIGHTWEIGHT		
	THIRD ANGLE PROJECTION	SIZE A	CODE IDENT. NO. 06090	DWG. NO. D-500-L458-1-4Y3-ZZZ-E		
CAD FILE: D-500-L458-1-4Y3-ZZZ-E_CD		DO NOT SCALE THIS DRAWING			SHEET 1 OF 1	