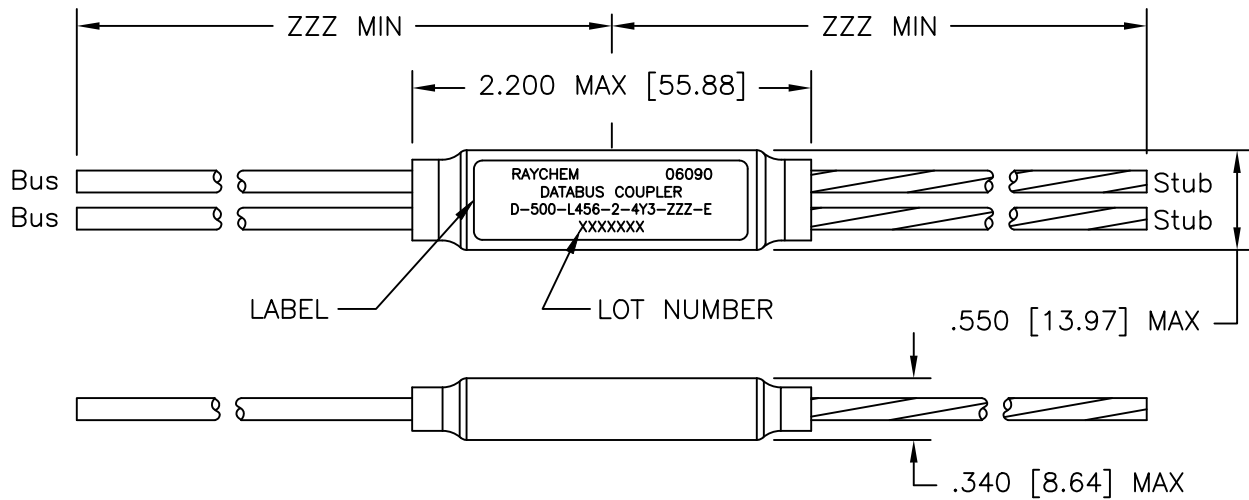


REVISION			
REV	DESCRIPTION	DATE	APPVD
A3	REINSTATED CD PER ECO-18-009860	7/03/2018	I.M.



COMPONENT NUMBER
D-500-L456-2-4Y3-ZZZ-E

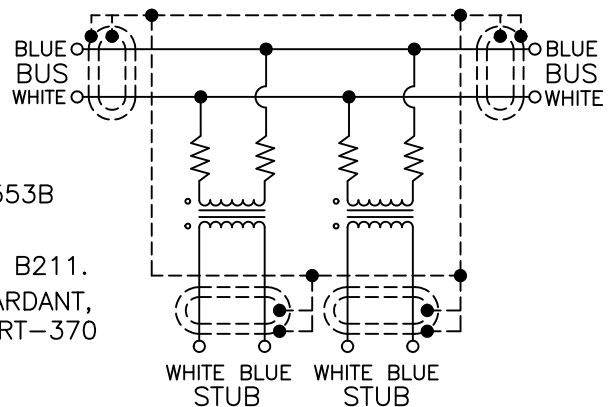
6: REVERSE CONFIGURATION

No. OF STUBS

CABLE LENGTH (INCHES)

CABLE TYPE: 7724Y3664
DOUBLE SHIELD CONSTRUCTION

DOUBLE STUB COUPLER SCHEMATIC



1.0 MATERIAL AND FINISHES:

1.1 INTERNAL COMPONENTS:

- TRANSFORMER TO MIL-PRF-21038 AND MIL-STD-1553B
- RESISTORS TO MIL-PRF-39007/9, 57.6 OHMS

1.2 SHIELDED CASE: ALUMINUM PER ASTM B618 OR ASTM B211.

1.3 SEALED COVER: MODIFIED CROSS-LINKED, FLAME RETARDANT, BLACK, FLUOROPOLYMER TO RAYCHEM SPECIFICATION RT-370

1.4 CABLE TO RAYCHEM SPECIFICATION: 1200.

2.0 APPLICATION:

2.1 THIS COUPLER IS DESIGNED TO BE INSTALLED INTO A DIGITAL MULTIPLEX ASSEMBLY MEETING THE REQUIREMENTS OF MIL-STD-1553B.

2.2 CABLE SPLICING: USE FLEXIBLE SPLICE KIT D-150-0250-RT OR D-150-0251-RT (NOT SUPPLIED)

2.3 CABLE BEND RADIUS PER SAE-AS50881 STATIC BEND: 5 x CABLE O.D. MIN.

DYNAMIC BEND: 10 x CABLE O.D. MIN.

3.0 TEMPERATURE:

3.1 OPERATING TEMPERATURE: -65°C TO +150°C

4.0 PERFORMANCE SPECIFICATIONS:

4.1 COUPLER MEETS THE PERFORMANCE REQUIREMENTS OF MIL-STD-1553B.

5.0 WEIGHT:

5.1 WEIGHT WITHOUT CABLE: 9.5g MAX.

Raychem Databus CUSTOMER DRAWING

© 2017-2018 TE Connectivity Corporation. All Rights Reserved.

UNLESS OTHERWISE SPECIFIED DIMENSIONS ARE INCHES. METRIC DIMENSIONS ARE IN BRACKETS. DECIMAL TOLERANCES .XXX ±--- [---mm] .XX ±--- [---mm] .X ±--- [---mm] ANGLE TOLERANCE .X ±---	DRAWN G.Rositano	DATE 12/28/2016		TE Connectivity			
	MATERIAL	FINISH		TITLE	DBUS MICROCOUPLER, DOUBLE STUB, REVERSE CONFIG. w/7724Y3664 CABLE, LIGHTWEIGHT		
	THIRD ANGLE PROJECTION	SIZE A	CODE IDENT. NO. 06090	DWG. NO. D-500-L456-2-4Y3-ZZZ-E			
CAD FILE: D-500-L456-2-4Y3-ZZZ-E_CD		DO NOT SCALE THIS DRAWING			SHEET 1 OF 1		