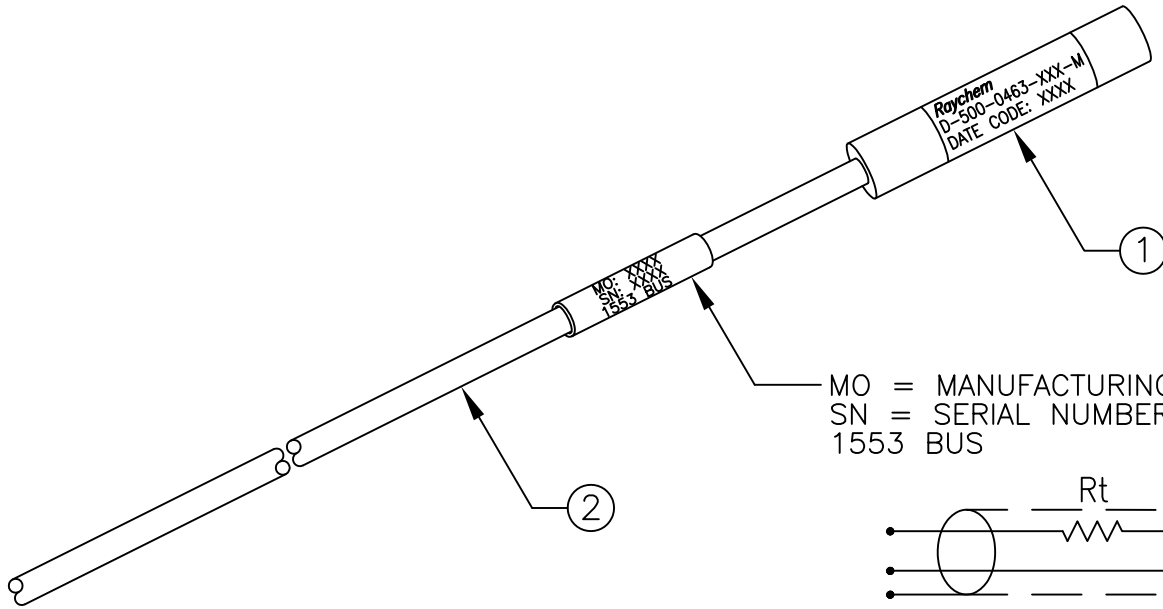
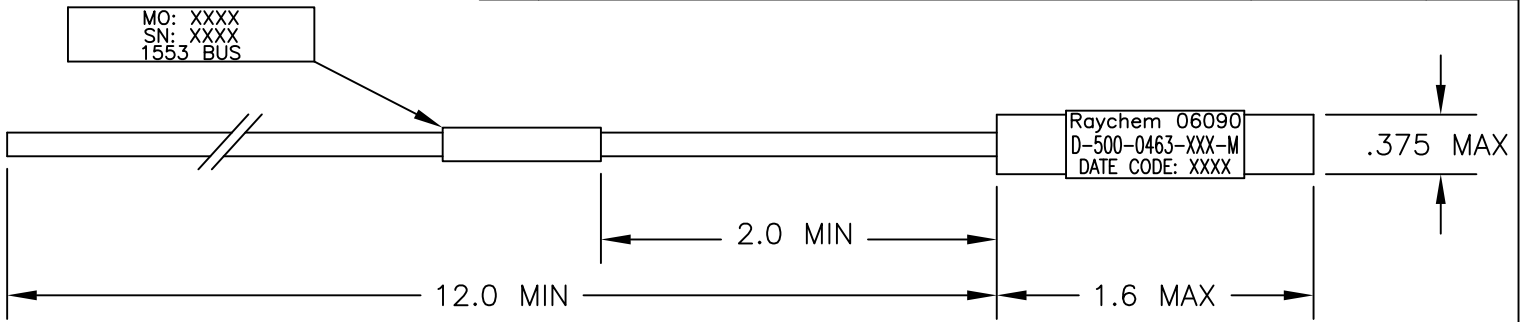


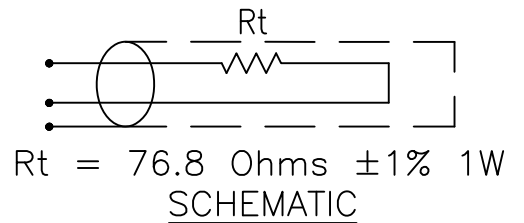
REVISIONS

REV	DESCRIPTION	DATE	APPVD
A	INITIAL RELEASE OF DWG PER ECO-14-005049	4/02/2014	PG

TMS MARKED AS SHOWN



MO = MANUFACTURING ORDER
SN = SERIAL NUMBER
1553 BUS



- ① BUS TERMINATOR MODULE, SEALED, STRAIN RELIEVED, BLACK.
- ② RAYCHEM BUS CABLE, WHITE JACKET.

DESCRIPTION	BUS CABLE	CABLE DESCRIPTION
D-500-0463-612-M	10612-24-9	SINGLE SHIELD, OPTIMIZED BRAID
D-500-0463-613-M	10613-24-9	DOUBLE SHEILD, OPTIMIZED BRAID
D-500-0463-614-M	10614-24-9	EMP HARDENED

If this document is printed it becomes uncontrolled. Check for the latest revision

© 2014 Tyco Electronics Corporation. All Rights Reserved.

Raychem Databus CUSTOMER DRAWING

UNLESS OTHERWISE SPECIFIED DIMENSIONS ARE IN INCHES. METRIC DIMENSIONS ARE IN BRACKETS. DECIMALS .XXX ± [---mm] .XX ± [---mm] ANGLES .X ±	DRAWN	G.Rositano	3/25/2014	TE Connectivity	
	APPROVED	P.Goraya	3/28/2014		
	WEIGHT: ---lbs [---g]	MATERIAL: FINISH: CAD NAME: D-500-0463-XXX-M_A_CDα			TITLE DATABUS BUS TERMINATOR WITH MIL-STD-1553B BUS IDENTIFIER MARKING
THIRD ANGLE PROJECTION			SIZE A	CODE IDENT. NO. 06090	DWG. NO. D-500-0463-XXX-M
DO NOT SCALE THIS DRAWING				SHEET 1 OF 2	

NOTES:

1.0 MATERIALS AND FINISHES

1.1 BUS TERMINATOR MODULE WITH 1W RESISTOR TO MIL-PRF-39007/9. SHIELDED USING TIN COATED COPPER BRAID AND Sn96 SOLDER PER ANSI J-STD-006.

1.2 SEALED STRAIN RELIEF COVER IS A MODIFIED, CROSS LINKED ELASTOMER PER TE/RAYCHEM SPECIFICATION RW-2070.

1.3 BUS CABLE (SEE TABLE ON PAGE 1).

2.0 APPLICATION

2.1 THIS BUS TERMINATOR IS DESIGNED TO BE INSTALLED INTO A DIGITAL MULTIPLEX HARNESS MEETING THE REQUIREMENTS OF MIL-STD-1553B, DEF-STAN-0018 (PART 2). FOR CABLE SPLICING USE SPLICE KIT D-150-0708-5 (NOT SUPPLIED).

2.2 CABLES AND BEND RADIUS PER SAE-AS50881, STATIC 5 X CABLE O.D. MIN, DYNAMIC 10 X CABLE O.D. MIN.

3.0 TEMPERATURE

3.1 CABLE/STRAIN RELIEF COVER MEETS OPERATING TEMP. -65° TO +150°C CONTINUOUS.

4.0 PERFORMANCE

4.1 INSTALLED TERMINATOR MEETS THE PERFORMANCE REQUIREMENTS OF MIL-STD-1553B.

Raychem Databus CUSTOMER DRAWING

If this document is printed it becomes uncontrolled. Check for the latest revision



TE Connectivity

DRAWN G.Rositano	DATE 3/25/2014	SIZE A	CAGE CODE 06090	DWG. NO. D-500-0463-XXX-M	REV A
CAD FILE D-500-0463-XXX-M_A_CDb		DO NOT SCALE THIS DRAWING		SHEET 2 OF 2	