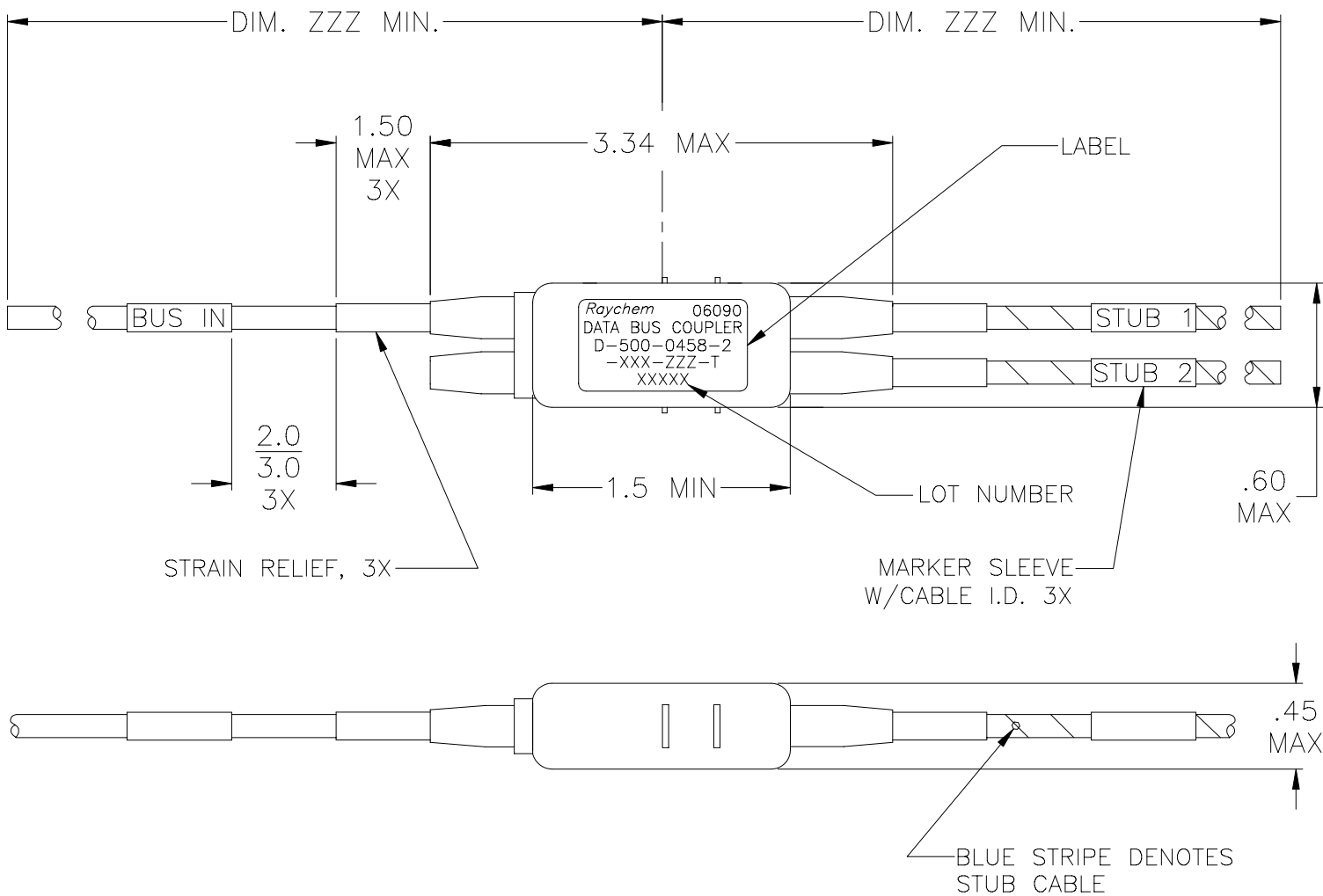


If this document is printed it becomes uncontrolled.
Check for the latest revision.

REVISION		DATE
REV	DESCRIPTION	DATE
A	REVISED PER DCR NUMBER T31574	6/11/03



PART NO. D-500-0458-2-XXX-ZZZ-T

2=DOUBLE STUB

TUBING, STRAIN RELIEF
LENGTH OF CABLE (INCHES)

CABLE

612=10612 (SINGLE OPTIMIZED BRAID)
613=10613 (DOUBLE OPTIMIZED BRAID)
614=10614 (EMP HARDENED)

SPECIFICATION CONTROL DRAWING

UNLESS OTHERWISE SPECIFIED
DIMENSIONS ARE INCHES. METRIC
DIMENSIONS ARE IN BRACKETS.

DRAWN T RATZLAFF DATE 16JAN2001

tyco Tyco Electronics
Electronics 300 CONSTITUTION DRIVE
MENLO PARK, CALIFORNIA 94025 USA *Raychem*

DECIMAL TOLERANCES
.XXX ± --- [--- mm]
.XX ± --- [--- mm]
.X ± --- [--- mm]

ANGLE TOLERANCE
.X ± ---

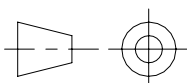
WEIGHT
SEE NOTES

MATERIAL

FINISH

TITLE
DATABUS COUPLER, DOUBLE STUB
IN-LINE W/CABLE STRAIN RELIEF
REVERSE W/INTERNAL TERMINATOR

THIRD ANGLE
PROJECTION



SIZE A	CODE IDENT. NO. 06090	DWG. NO. D-500-0458-2-XXX-ZZZ-T
-----------	--------------------------	------------------------------------

DO NOT SCALE THIS DRAWING

SHEET 1 OF 2

T31574A

CAD FILE

1. MATERIAL AND FINISHES:

1.1 INTERNAL COMPONENTS:

1.1.1 -TRANSFORMER TO MIL-PRF-21038 AND MIL-STD-1553B

1.1.2 -RESISTORS, ISOLATION PER MIL-PRF-39007/9, 57.6 OHMS (R1)

1.1.3 -RESISTORS, TERMINATION PER MIL-PRF-39007/9, 76.8 OHMS (R2)

1.2 SHIELDED CASE: ALUMINUM PER ASTM-B618

1.3 SEALED STRAIN RELIEF COVER: MODIFIED CROSS-LINKED ELASTOMER, BLACK, TO RAYCHEM SPECIFICATION RK-6713.

1.4 CABLE TYPE PER RAYCHEM SPECIFICATION 1200 (SEE PART NO. ON SHEET 1).

1.5 STRAIN RELIEF TUBING: RAYCHEM TAT-125.

2. APPLICATION:

2.1 THIS COUPLER IS DESIGNED TO BE INSTALLED AS A DIGITAL MULTIPLEX ASSEMBLY MEETING THE REQUIREMENTS OF MIL-STD-1553B.

2.2 FOR CABLE SPLICING USE FLEXIBLE SPLICE KIT D-150-0708-5 (NOT SUPPLIED).

2.3 CABLE BEND RADIUS PER SAE-AS50881 STATIC BEND: 5 x CABLE O.D. MIN.

DYNAMIC BEND: 10 x CABLE O.D. MIN.

3. TEMPERATURE:

3.1 OPERATING TEMPERATURE: -65°C TO +150°C

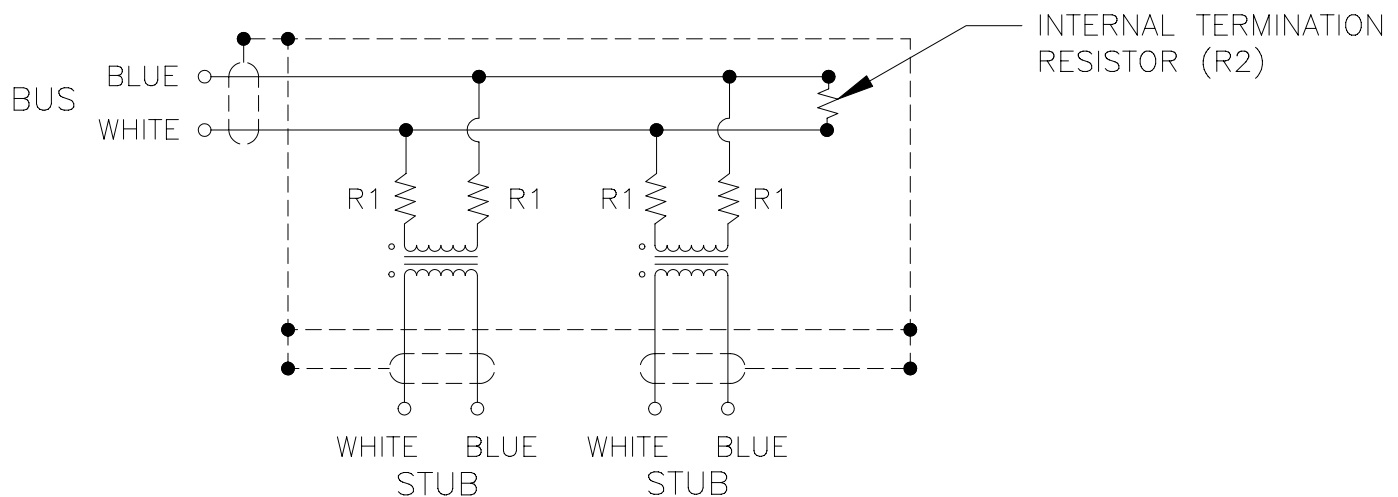
4. PERFORMANCE SPECIFICATIONS:

4.1 TRANSFORMER MEETS THE PERFORMANCE REQUIREMENTS OF MIL-STD-1553B.

4.2 COUPLER MEETS THE PERFORMANCE REQUIREMENTS OF RAYCHEM SPECIFICATION D-6020.

5. WEIGHT:

5.1 MAXIMUM WEIGHT WITHOUT CABLE: 18 GRAMS MAX.

DOUBLE STUB COUPLER SCHEMATIC

If this document is printed it becomes uncontrolled.
Check for the latest revision.

SPECIFICATION CONTROL DRAWING

DRAWN T RATZLAFF	DATE 01JAN16	SIZE A	CODE IDENT. NO. 06090	DWG. NO. D-500-0458-2-XXX-ZZZ-T	REV A
CAD FILE T31574B	tyco Electronics	DO NOT SCALE THIS DRAWING			SHEET 2 OF 2