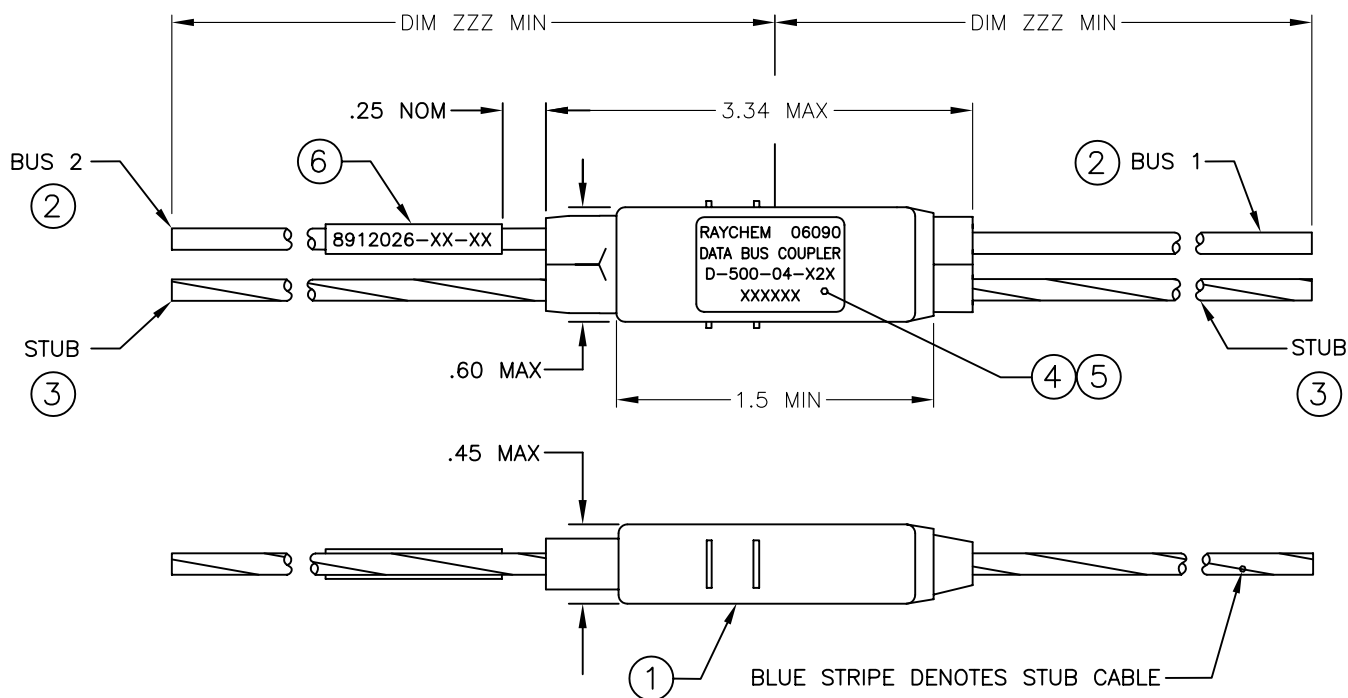


If this document is printed it becomes uncontrolled.
Check for the latest revision.

| REVISIONS | | | |
|-----------|---------------------------------|--------|----------|
| REV | DESCRIPTION | DATE | APPROVED |
| C | REVISED DWG PER DCR NO. C040853 | 8/3/04 | GMR |



COMPONENT NUMBER
D-500-04-X2X-ZZZ

CABLE CLASS _____
(LETTERS A THRU E AS DEFINED IN USAF DRAWING NUMBER 8912026)

LENGTH OF CABLE IN INCHES
REQUIREMENT IS 12 INCHES, MIN PER USAF DRAWING NUMBER 8912026
(NOTE: IF -ZZZ IS UNSPECIFIED, CABLE LENGTH IS 12 INCHES, MIN)

SPLICE KIT _____
0 = SPLICE KIT NOT INCLUDED
3 = SPLICE KIT INCLUDED

SPECIFICATION CONTROL DRAWING

© 2004 Tyco Electronics Corporation. All Rights Reserved.

| COMPONENT NO. | DESCRIPTION |
|---------------|----------------------------|
| 1 | ENVIRONMENTAL COVER |
| 2 | CABLE, BUS |
| 3 | CABLE, STUB |
| 4 | LABEL |
| 5 | PROTECTIVE COVERING, LABEL |
| 6 | IDENTIFICATION, TMS |

UNLESS OTHERWISE SPECIFIED DIMENSIONS ARE IN INCHES. METRIC DIMENSIONS ARE IN BRACKETS.

DECIMALS

.XXX ± — { — mm }
.XX ± — { — mm }

ANGLES

.X — ± —

WEIGHT

— g { — lbs }

DRAWN T. RATZLAFF 00NOV14

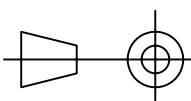
APPROVED P. DUTTON 00NOV14

MATERIAL _____

FINISH _____

CAD NAME: C040853A

THIRD ANGLE PROJECTION



Tyco Electronics
300 CONSTITUTION DRIVE
MENLO PARK, CALIFORNIA 94025 USA

Raychem

TITLE

U.S.A.F. DOUBLE STUB
MICROCOUPLER, DATABUS

SIZE
A

CODE IDENT. NO.
06090

DWG. NO.
D-500-04-X2X-ZZZ

DO NOT SCALE THIS DRAWING

SHEET 1 OF 2

TABLE 1

| DATA BUS COUPLER NUMBER | RAYCHEM CABLE PART NUMBER | | SPLICE KIT (INCLUDED) D-150-0708-5 | USAF IDENTIFICATION NUMBER (ON TMS) |
|-------------------------|---------------------------|-----------------|---------------------------------------|-------------------------------------|
| | BUS CABLE (2X) | STUB CABLE (2X) | | |
| D-500-04-A20 | 10602-24-9 | 10602-24-96 | NO | 8912026-A0-20 |
| D-500-04-A23 | | | YES | 8912026-A0-23 |
| D-500-04-B20 | 10605-22-9 | 10605-22-96 | NO | 8912026-B0-20 |
| D-500-04-B23 | | | YES | 8912026-B0-23 |
| D-500-04-C20 | 10612-24-9 | 10612-24-96 | NO | 8912026-C0-20 |
| D-500-04-C23 | | | YES | 8912026-C0-23 |
| D-500-04-D20 | 10613-24-9 | 10613-24-96 | NO | 8912026-D0-20 |
| D-500-04-D23 | | | YES | 8912026-D0-23 |
| D-500-04-E20 | 10614-24-9 | 10614-24-96 | NO | 8912026-E0-20 |
| D-500-04-E23 | | | YES | 8912026-E0-23 |

1.0 MATERIAL AND FINISHES:

1.1 INTERNAL COMPONENTS:

- TRANSFORMER TO MIL-PRF-21038 AND MIL-STD-1553B
- RESISTORS TO PER MIL-PRF-39007/9, 57.6 OHMS

1.2 SHIELDED CASE: ALUMINUM PER ASTM B 618.

1.3 SEALED STRAIN RELIEF COVER: MODIFIED CROSS-LINKED ELASTOMER, BLACK, TO RAYCHEM SPECIFICATION RK-6713.

1.4 CABLE TYPE TO RAYCHEM SPECIFICATION 1200 (SEE TABLE 1).

2.0 APPLICATION:

2.1 THIS COUPLER IS DESIGNED TO BE INSTALLED INTO A DIGITAL MULTIPLEX ASSEMBLY MEETING THE REQUIREMENTS OF MIL-STD-1553B.

2.2 WHEN APPLICABLE, FLEXIBLE SPLICE KIT D-150-0708-5 WILL BE SUPPLIED ALONG WITH THE COUPLER ASSEMBLY.

2.3 CABLE BEND RADIUS PER SAE-AS50881 STATIC BEND: 5 x CABLE O.D. MIN.
DYNAMIC BEND: 10 x CABLE O.D. MIN.

3.0 TEMPERATURE:

3.1 OPERATING TEMPERATURE: -65°C TO +150°C

4.0 PERFORMANCE SPECIFICATIONS:

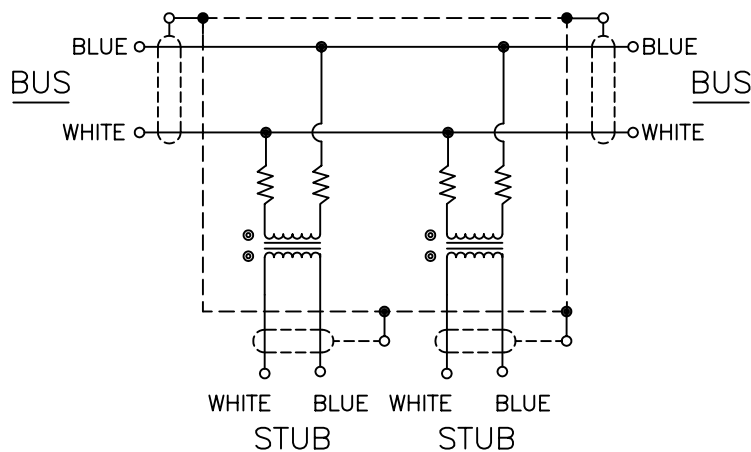
4.1 TRANSFORMER MEETS THE PERFORMANCE REQUIREMENTS OF MIL-STD-1553B AND USAF 8912026.

5.0 WEIGHT:

5.1 MAXIMUM WEIGHT WITHOUT CABLE: 15 GRAMS MAX.

6.0 ORDERING INFORMATION: REFER TO COMPONENT NUMBER.

DOUBLE STUB COUPLER SCHEMATIC



| | | | | | |
|----------------------|-----------------------------------|---------------------------|--------------------------|------------------------------|--------------|
| DRAWN T RATZLAFF | DATE 00NOV14 | SIZE A | CODE IDENT. NO. 06090 | DWG. NO. D-500-04-X2X-ZZZ | REV C |
| CAD FILE C040853B | tyco Electronics | DO NOT SCALE THIS DRAWING | | | SHEET 2 OF 2 |