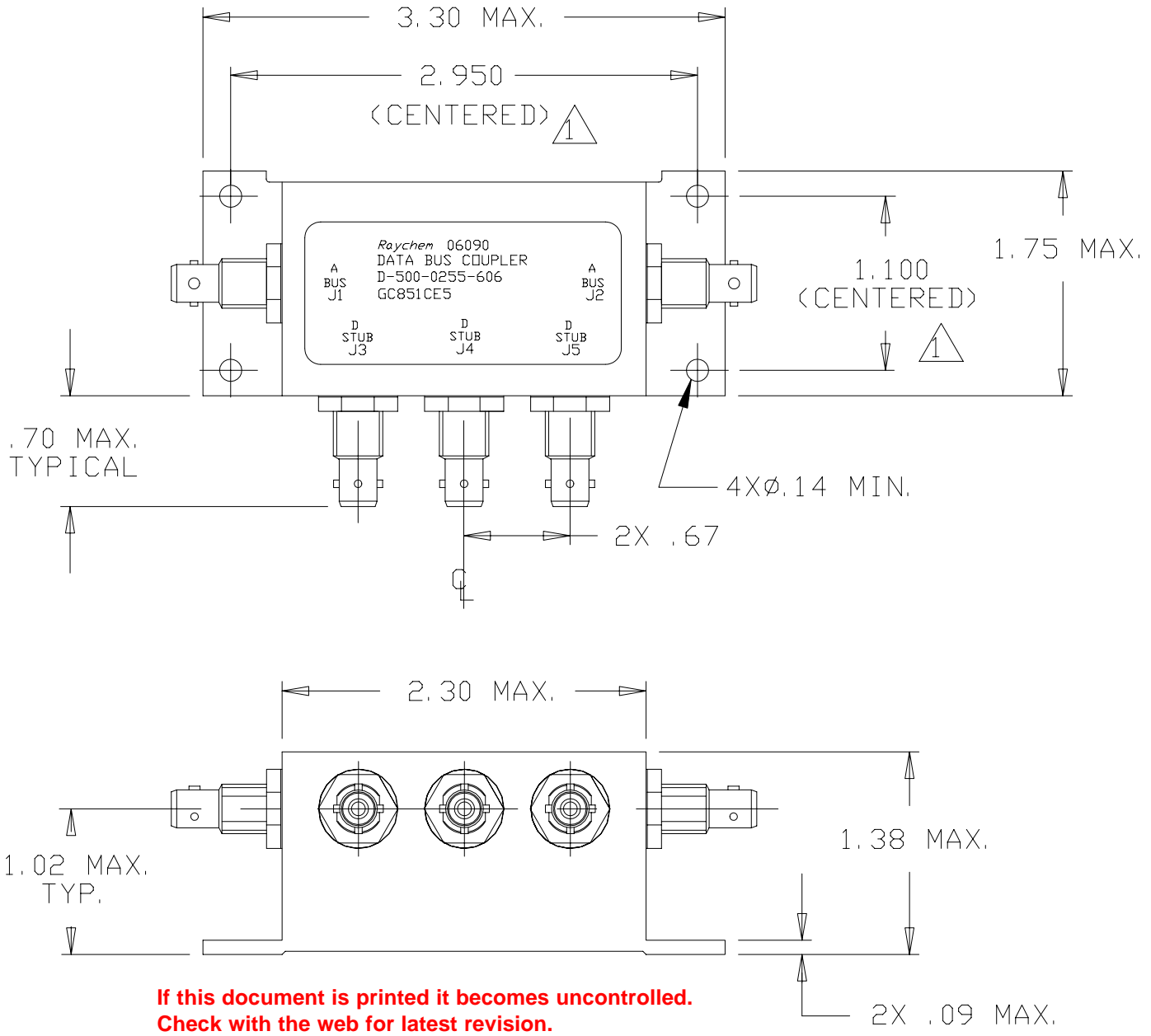


REVISIONS			
LTR	DESCRIPTION	DATE	APPROVED
D	REVISED PER ECN# T-23004	6-23-99	WCG

NOTES:

1 HOLE PATTERN MACHINED SYMMETRIC WITHIN MOUNTING FLANGE.



**If this document is printed it becomes uncontrolled.
Check with the web for latest revision.**

SPECIFICATION CONTROL DRAWING © Raychem Corporation 1991

UNLESS OTHERWISE SPECIFIED DIMENSIONS ARE IN INCHES. METRIC DIMENSIONS ARE IN BRACKETS.	DRAWN	J. B. K.	91 AUG 12	<i>Raychem</i>	RAYCHEM CORPORATION 300 CONSTITUTION DRIVE MENLO PARK, CALIFORNIA 94025				
	CHECKED				TITLE	3 STUB DATA BUS BAYONET COUPLER WITH TRIAXIAL CONNECTORS			
	APPROVED			CAD NAME	T-23004a	SIZE	CODE IDENT. NO.	DWG. NO.	REV
	APPROVED			THIRD ANGLE PROJECTION		A	06090	D-500-0255-606	D
DECIMALS .XXX ± .005 [— mm] .XX ± .01 [— mm]					DO NOT SCALE THIS DRAWING				
ANGLES .X — ± — .12					SHEET 1 OF 2				
WEIGHT — lbs [— g]									

If this document is printed it becomes uncontrolled.
 Check with the web for latest revision.

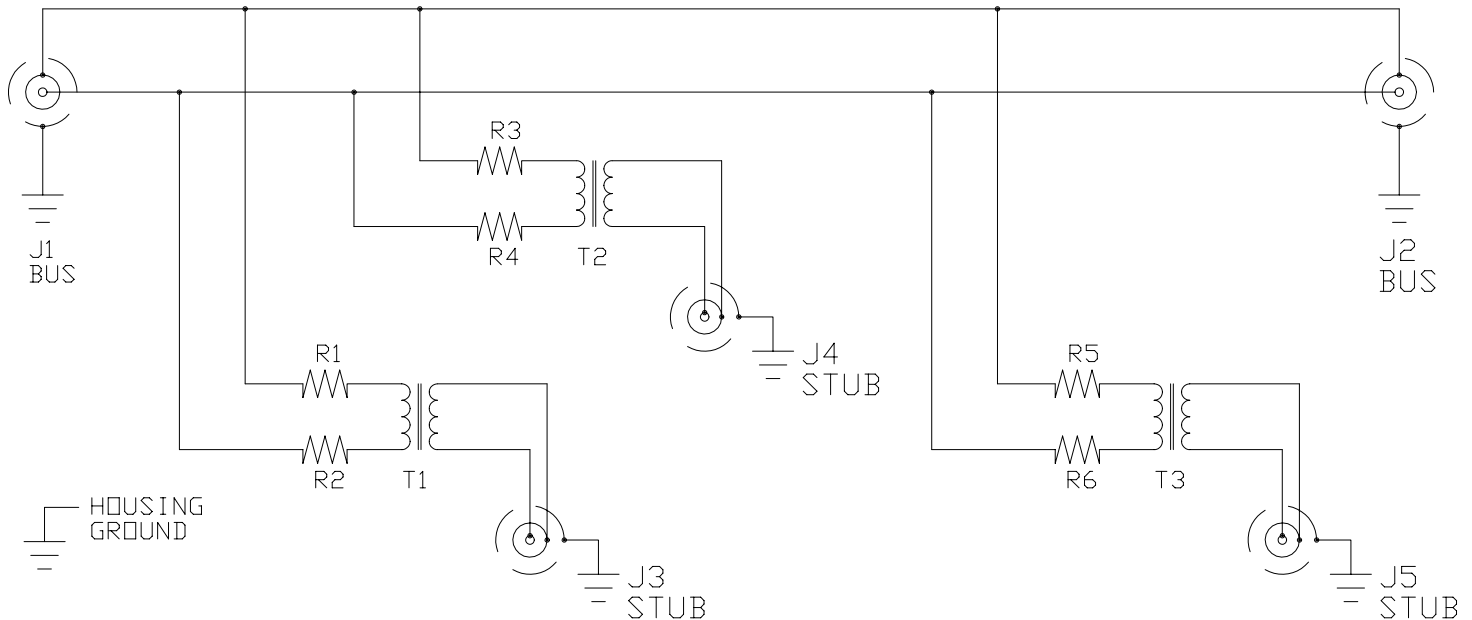
1.0 INTERMATEABILITY

- 1.1 POSITION J1 AND J2 WITH D-602-0127 CONTACT INSTALLED WILL MATE WITH INTERFACE A, WITH D-602-0126 CONTACT INSTALLED.
- 1.2 POSITION J3, J4, AND J5 WITH D-602-0126 CONTACT INSTALLED, WILL MATE WITH INTERFACE D, WITH D-602-0127 CONTACT INSTALLED.

2.0 PERFORMANCE

- 2.1 THIS COUPLER IS DESIGNED TO MEET THE APPLICABLE FUNCTIONAL REQUIREMENT OF RAYCHEM SPECIFICATION D-6021.
- 2.2 THE COUPLER SHALL OPERATE UNDER ANY OF THE ENVIRONMENTAL SERVICE CONDITIONS AS SPECIFIED IN MIL-C-39012 FOR NON-HERMETIC PART.
- 2.3 ALTITUDE: SEA LEVEL TO 50,000 FEET
- 2.4 OPERATING TEMPERATURE RANGE: -55° C TO +125° C
- 2.5 ELECTRICAL REQUIREMENTS: PER PARA(S). 3.6.1 THRU 3.6.7 AND 3.6.11 THRU 3.6.12 OF RAYCHEM SPECIFICATION D-6020
- 2.6 SALT SPRAY CORROSION RESISTANCE: 500 HOURS

SCHEMATIC DIAGRAM



CAD NAME: T23004b	DRAWN	J. B. K.	91 AUG 12	SIZE	CODE IDENT. NO.	DWG. NO.	REV	
	ISSUED			A	06090	D-500-0255-606	D	
DO NOT SCALE THIS DRAWING							SHEET 2 OF 2	