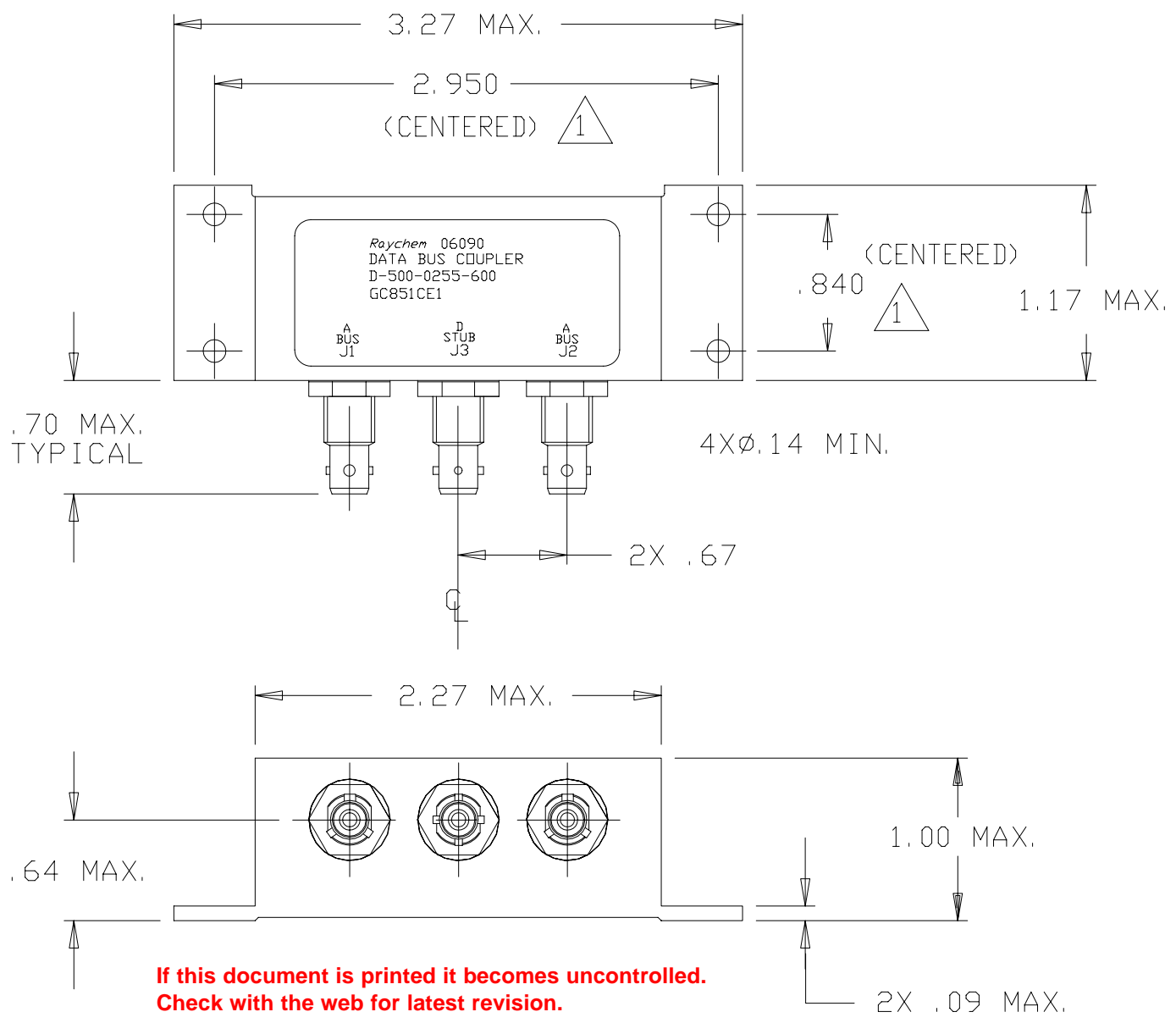


REVISIONS			
LTR	DESCRIPTION	DATE	APPROVED
C	REVISED AND REDRAWN ON CAD PER ECN# T-16598		

NOTES:

1 HOLE PATTERN MACHINED SYMMETRIC WITHIN MOUNTING FLANGE.



SPECIFICATION CONTROL DRAWING © Raychem Corporation 1991

UNLESS OTHERWISE SPECIFIED
DIMENSIONS ARE IN INCHES.
METRIC DIMENSIONS ARE
IN BRACKETS.

DECIMALS
.XXX ± .010 [— mm]
.XX ± .03 [— mm]

ANGLES HGT
.X — ± — .12

WEIGHT
— lbs [— g]

DRAWN	J. B. K.	91 APR 12
CHECKED		
APPROVED		
APPROVED		
CAD NAME	9113-1	
THIRD ANGLE PROJECTION		

		RAYCHEM CORPORATION 300 CONSTITUTION DRIVE MENLO PARK, CALIFORNIA 94025	
		TITLE	
DATA BUS BAYONET COUPLER WITH TRIAXIAL CONNECTORS			
SIZE	CODE IDENT. NO.	DWG. NO.	REV
A	06090	D-500-0255-600	C
DO NOT SCALE THIS DRAWING			SHEET 1 OF 2

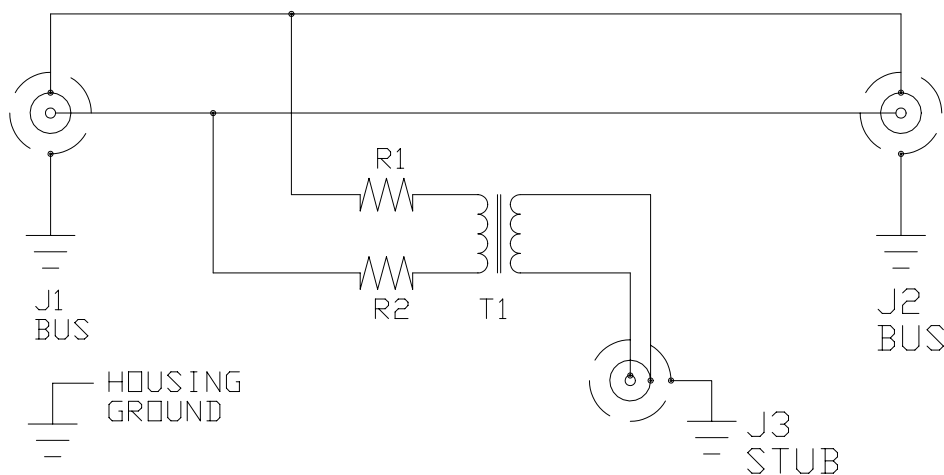
1.0 INTERMATEABILITY

- 1.1 POSITION J1 AND J2 WITH D-602-0127 CONTACT INSTALLED WILL MATE WITH INTERFACE A, WITH D-602-0126 CONTACT INSTALLED.
- 1.2 POSITION J3, WITH D-602-0126 CONTACT INSTALLED, WILL MATE WITH INTERFACE D, WITH D-602-0127 CONTACT INSTALLED.

2.0 PERFORMANCE

- 2.1 THIS COUPLER IS DESIGNED TO MEET THE APPLICABLE FUNCTIONAL REQUIREMENT OF RAYCHEM SPECIFICATION D-6021.
- 2.2 THE COUPLER SHALL OPERATE UNDER ANY OF THE ENVIRONMENTAL SERVICE CONDITIONS AS SPECIFIED IN MIL-C-39012 FOR NON-HERMETIC PART.
- 2.3 ALTITUDE: SEA LEVEL TO 50,000 FEET
- 2.4 OPERATING TEMPERATURE RANGE: -55° C TO +125° C
- 2.5 ELECTRICAL REQUIREMENTS: PER PARA(S). 3.6.1 THRU 3.6.7 AND 3.6.11 THRU 3.6.12 OF RAYCHEM SPECIFICATION D-6020
- 2.6 SALT SPRAY CORROSION RESISTANCE: 500 HOURS

SCHEMATIC DIAGRAM



**If this document is printed it becomes uncontrolled.
Check with the web for latest revision.**

CAD NAME: 9113-2	DRAWN	J. B. K.	91 AUG 12	SIZE	CODE IDENT. NO.	DWG. NO.	REV
	ISSUED			A	06090	D-500-0255-600	C
DO NOT SCALE THIS DRAWING						SHEET 2 OF 2	