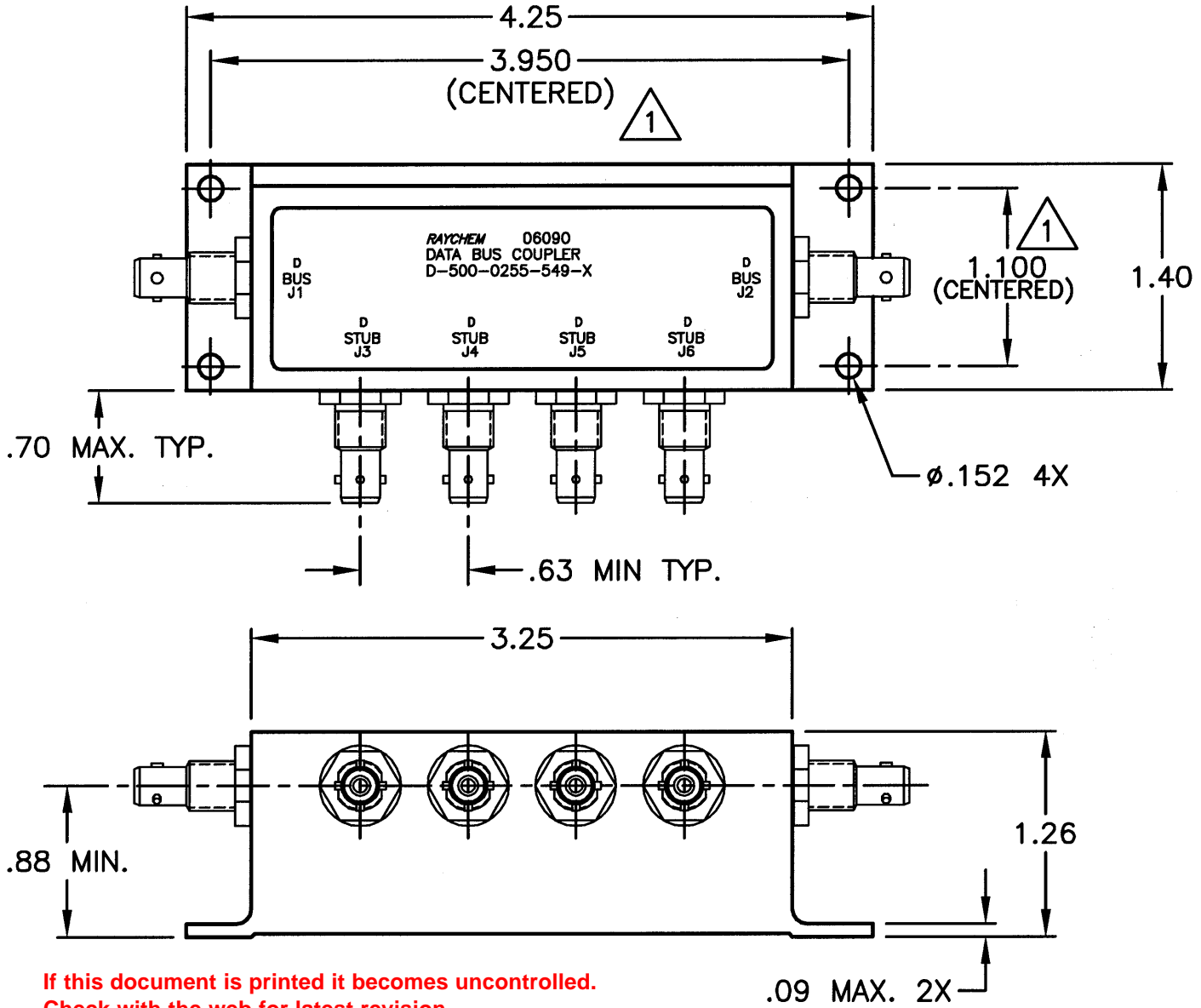


NOTES:

REVISIONS			
LTR	DESCRIPTION	DATE	APPROVED
N/C	INITIAL RELEASE PER ECN# T-19839	95MAR15	Z.E.T.
A	REVISED PER ECN# T-20080	95MAY 9	SC

1 HOLE PATTERN MACHINED SYMMETRIC TO MOUNTING FLANGE.



SPECIFICATION CONTROL DRAWING

UNLESS OTHERWISE SPECIFIED DIMENSIONS ARE IN INCHES. METRIC DIMENSIONS ARE IN BRACKETS.

DECIMALS
 .XXX ± .010 [— mm]
 .XX ± .03 [— mm]

ANGLES
 .X — ± —

WEIGHT
 155 GRAMS NOM.

DRAWN	D.C.P.	95FEB02
CHECKED	Z.E.T.	95MAR15
APPROVED	P.J.D.	95MAR15
APPROVED		
CAD NAME	001778-1.DWG	
THIRD ANGLE PROJECTION		

Raychem RAYCHEM CORPORATION
 300 CONSTITUTION DRIVE
 MENLO PARK, CALIFORNIA 94025

TITLE
**4 STUB
 DATA BUS COUPLER
 WITH BAYONET CONNECTORS**

SIZE	CODE IDENT. NO.	DWG. NO.	REV
A	06090	D-500-0255-549-X	A

DO NOT SCALE THIS DRAWING SHEET 1 OF 2

1.0 INTERMATEABILITY

CONNECTOR BOX JACK	MATING PLUG
DK-621-0440-4P (8912004-00-04)	DK-621-0439-4S (8912003-00-08)
DK-621-0440-4S (8912004-00-08)	DK-621-0439-4P (8912003-00-04)

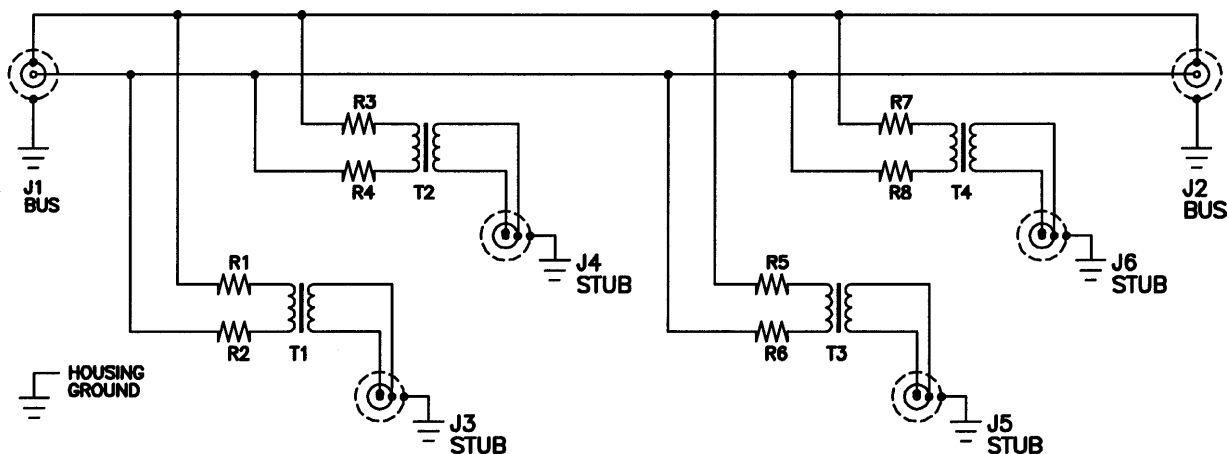
2.0 PERFORMANCE

- 2.1 THIS COUPLER IS DESIGNED TO MEET THE APPLICABLE FUNCTIONAL REQUIREMENT OF RAYCHEM SPECIFICATION D-6021 AND USAF 8912008.
- 2.2 THE COUPLER SHALL OPERATE UNDER ANY OF THE ENVIRONMENTAL SERVICE CONDITIONS AS SPECIFIED IN MIL-E-5400, CLASS ∇ UPGRADED TO 125°C CONTINUOUS OPERATION.
- 2.3 ALTITUDE: SEA LEVEL TO 75,000 FEET

3.0 CROSS REFERENCE

CONNECTOR D-500-0255	BUS JACKS J1 AND J2	STUB JACKS J3 THRU J6
-549-2	DK-621-0440-4S (8912004-00-08)	DK-621-0440-4P (8912004-00-04)
-549-3	DK-621-0440-4P (8912004-00-04)	DK-621-0440-4S (8912004-00-08)

If this document is printed it becomes uncontrolled.
Check with the web for latest revision.

SCHEMATIC DIAGRAM

CAD NAME: 001778-2

DRAWN D.C.P. 95FEB02

SIZE CODE IDENT. NO.

A 06090

DWG. NO.

D-500-0255-549-X

ISSUED

DO NOT SCALE THIS DRAWING

SHEET 2 OF 2