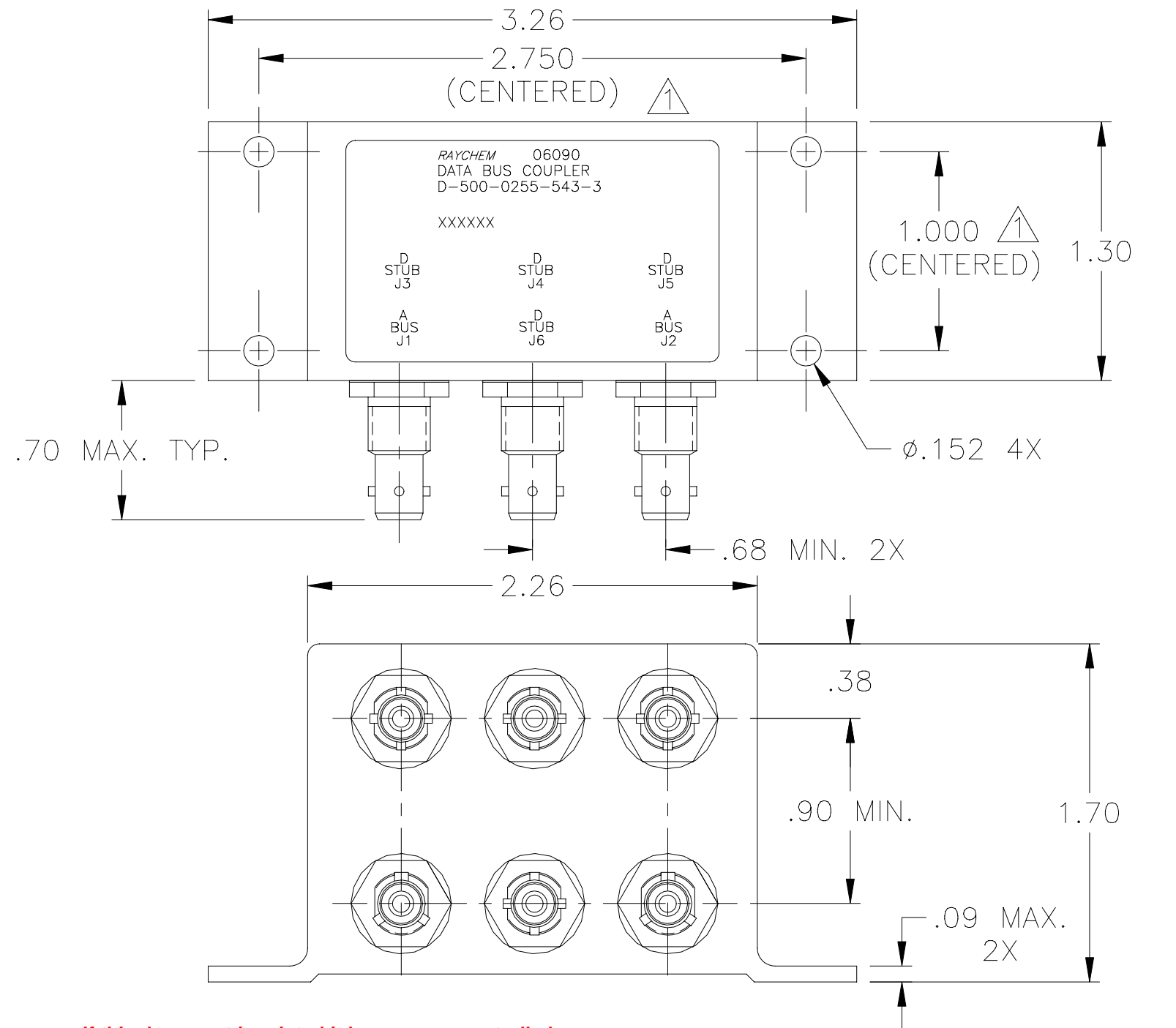


NOTES:
 ▲ HOLE PATTERN MACHINED SYMMETRIC WITHIN MOUNTING FLANGE.

REVISIONS			
LTR	DESCRIPTION	DATE	APPROVED
NC	RELEASED PER ECN# T-20899	96JUL16	Z. TEMAN



**If this document is printed it becomes uncontrolled.
 Check with the web for latest revision.**

SPECIFICATION CONTROL DRAWING

UNLESS OTHERWISE SPECIFIED DIMENSIONS ARE IN INCHES. METRIC DIMENSIONS ARE IN BRACKETS.

DECIMALS
 .XXX ± .010 [— mm]
 .XX ± .03 [— mm]

ANGLES
 .X ± —

WEIGHT
 150 GRAMS MAX.

DRAWN	Z.E.T.	96 JUL 96
CHECKED		
APPROVED		
APPROVED	Z.TEMAN	96 JUL 16
CAD NAME	004916-1.DWG	
THIRD ANGLE PROJECTION		

Raychem RAYCHEM CORPORATION
 300 CONSTITUTION DRIVE
 MENLO PARK, CALIFORNIA 94025

TITLE
 4 STUB
 DATA BUS BAYONET COUPLER
 WITH TRIAXIAL CONNECTORS

SIZE	CODE IDENT. NO.	DWG. NO.	REV
A	06090	D-500-0255-543-3	NC

DO NOT SCALE THIS DRAWING

SHEET 1 OF 2

1.0 INTERMATEABILITY

CONNECTOR BOX JACK	MATING PLUG	KEY ("X")
DK-621-0434-1S	DK-621-0433-1P	A
DK-621-0440-4S	DK-621-0439-4P	D

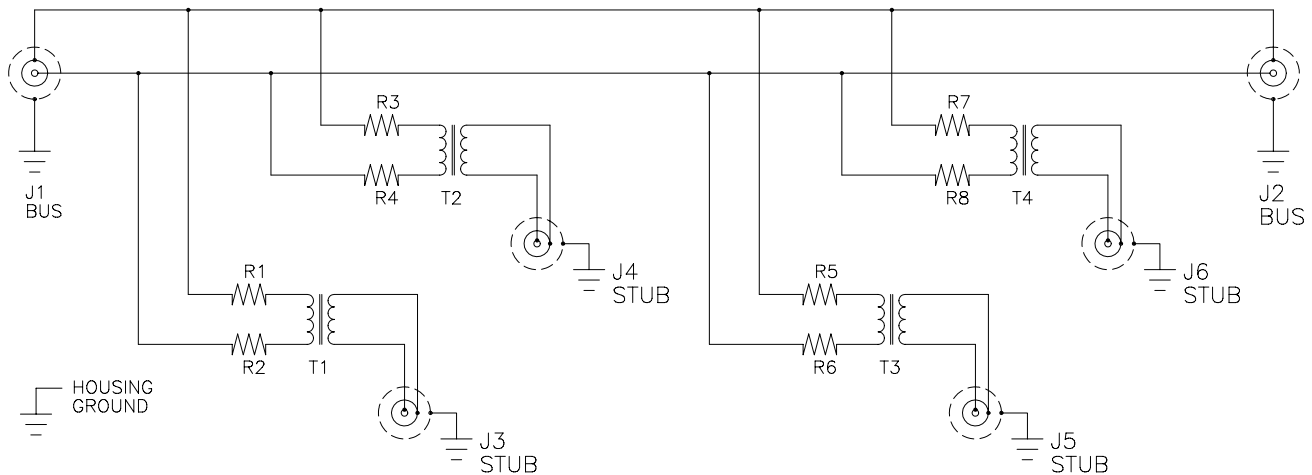
2.0 PERFORMANCE

- 2.1 THIS COUPLER IS DESIGNED TO MEET THE APPLICABLE FUNCTIONAL REQUIREMENT OF RAYCHEM SPECIFICATION D-6021.
- 2.2 THE COUPLER SHALL OPERATE UNDER ANY OF THE ENVIRONMENTAL SERVICE CONDITIONS AS SPECIFIED IN MIL-E-5400, CLASS ∇ UPGRADED TO 125°C CONTINUOUS OPERATION.
- 2.3 ALTITUDE: SEA LEVEL TO 75,000 FEET
- 3.0

BUS JACKS J1 AND J2	STUB JACKS J3 THRU J6
DK-621-0434-1S "A"	DK-621-0440-4S "D"

**If this document is printed it becomes uncontrolled.
Check with the web for latest revision.**

SCHEMATIC DIAGRAM



CAD NAME: 009078-2	DRAWN	Z.E.T.	96 JUL 16	SIZE	CODE IDENT. NO.	DWG. NO.	REV.
	ISSUED			A	06090	D-500-0255-543-3	NC
DO NOT SCALE THIS DRAWING						SHEET 2 OF 2	