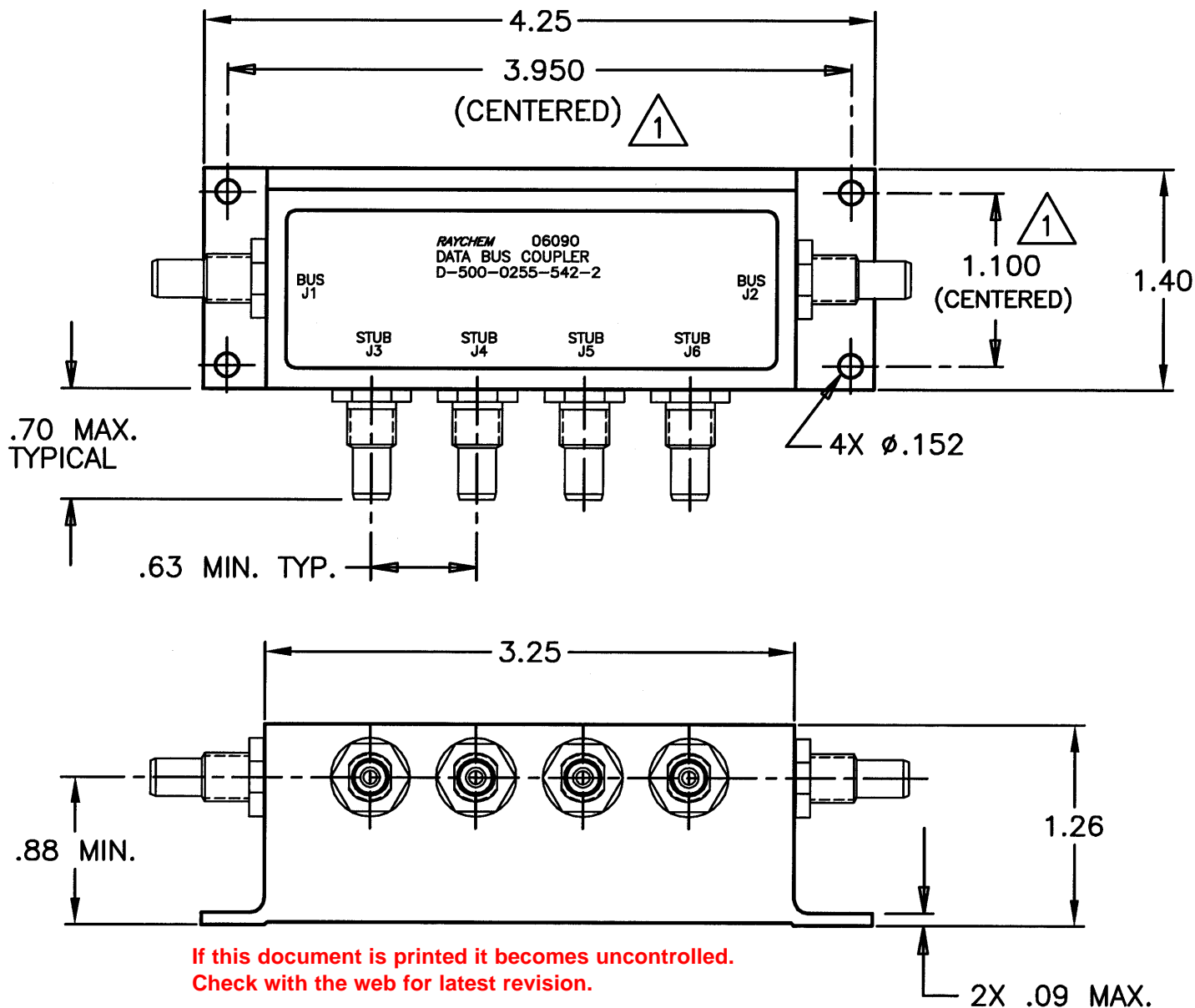


REVISIONS			
LTR	DESCRIPTION	DATE	APPROVED
N/C	INITIAL RELEASE PER ECN# T-19839	95MAR15	Z.E.T.
A	REVISED PER ECN# T-20081	95MAY9	Z.E.T.

NOTES:

1 HOLE PATTERN MACHINED SYMMETRIC TO MOUNTING FLANGE.



SPECIFICATION CONTROL DRAWING

UNLESS OTHERWISE SPECIFIED DIMENSIONS ARE IN INCHES. METRIC DIMENSIONS ARE IN BRACKETS.

DECIMALS
 .XXX ± .010 [— mm]
 .XX ± .03 [— mm]

ANGLES
 .X — ± —

WEIGHT
 155 GRAMS NOM.

DRAWN	D.C.P.	95FEB15
CHECKED	Z.E.T.	95MAR15
APPROVED	P.J.D.	95MAR15
APPROVED		
CAD NAME	001781-1.DWG	
THIRD ANGLE PROJECTION		

<i>Raychem</i>		RAYCHEM CORPORATION 300 CONSTITUTION DRIVE MENLO PARK, CALIFORNIA 94025	
		TITLE 4 STUB DATA BUS COUPLER WITH THREADED CONNECTORS	
SIZE	CODE IDENT. NO.	DWG. NO.	REV
A	06090	D-500-0255-542-2	A
DO NOT SCALE THIS DRAWING			SHEET 1 OF 2

1.0 INTERMATEABILITY

CONNECTOR J1 AND J2	MATING PLUG
DK-621-0412-S (8340711-00-02)	DK-621-0411-P (8340709-00-01)

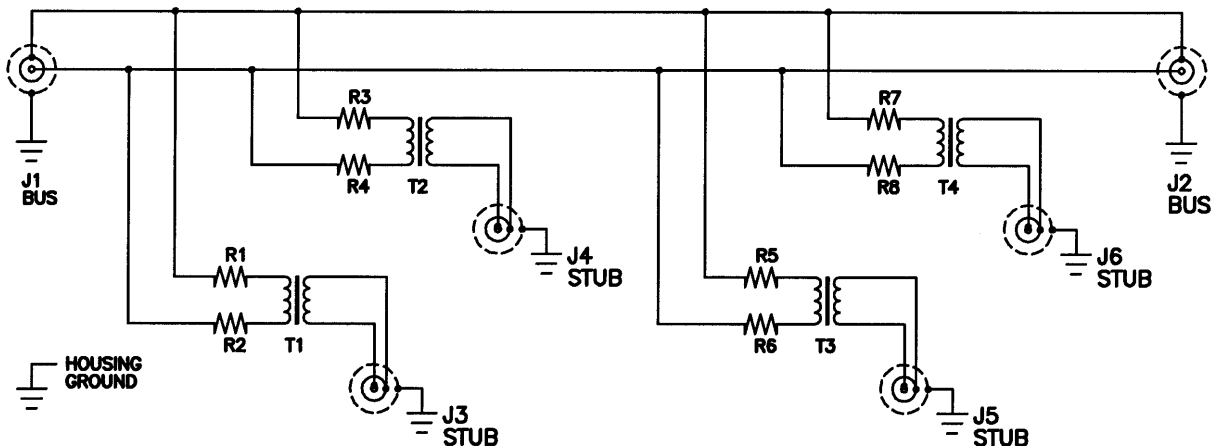
STUB JACKS J3,J4,J5 AND J6	MATING PLUG
DK-621-0412-P (8340711-00-01)	DK-621-0411-S (8340709-00-02)

If this document is printed it becomes uncontrolled.
Check with the web for latest revision.

2.0 PERFORMANCE

- 2.1 THIS COUPLER IS DESIGNED TO MEET THE APPLICABLE FUNCTIONAL REQUIREMENT OF RAYCHEM SPECIFICATION D-6021 AND USAF 8912007.
- 2.2 THE COUPLER SHALL OPERATE UNDER ANY OF THE ENVIRONMENTAL SERVICE CONDITIONS AS SPECIFIED IN MIL-E-5400, CLASS ∇ UPGRADED TO 125°C CONTINUOUS OPERATION.
- 2.3 ALTITUDE: SEA LEVEL TO 75,000 FEET

SCHEMATIC DIAGRAM



CAD NAME: 001781-2	DRAWN	D.C.P.	95FEB15	SIZE	CODE IDENT. NO.	DWG. NO.
	ISSUED			A	06090	D-500-0255-542-2
DO NOT SCALE THIS DRAWING						SHEET 2 OF 2