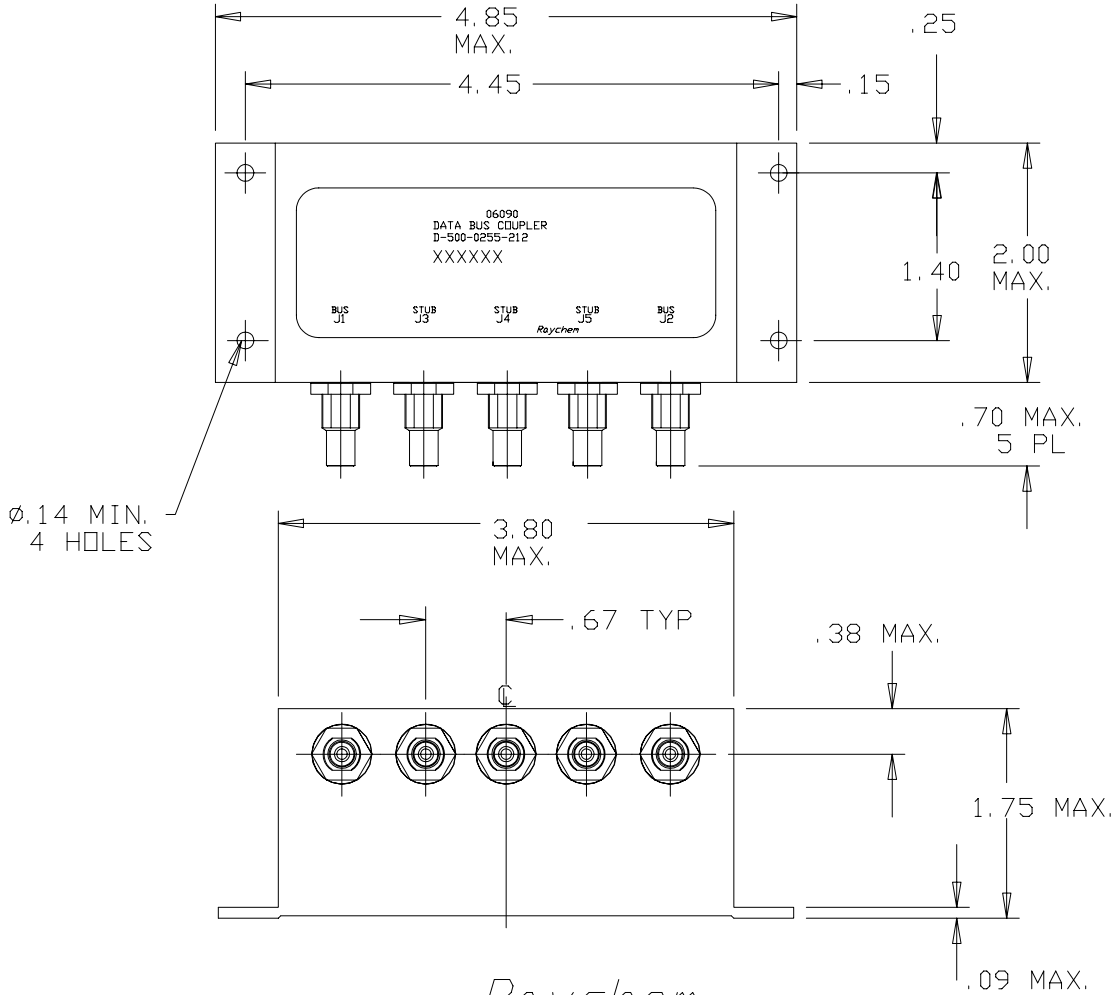


REVISIONS			
LTR	DESCRIPTION	DATE	APPROVED
D	REVISED PER E.C.N. T-9546	88 JAN 28	Z. TEMAN
E	REVISED PER E.C.N. T-16465	91 JUL 2	Z. TEMAN
F	REVISED PER E.C.N. T-17579		



If this document is printed it becomes uncontrolled.
Check with the web for latest revision.

SPECIFICATION CONTROL DRAWING © Raychem Corporation 1986

UNLESS OTHERWISE SPECIFIED DIMENSIONS ARE IN INCHES. METRIC DIMENSIONS ARE IN BRACKETS. DECIMALS .XXX ± { mm } .XX ± .01 { mm } ANGLES .X ± WEIGHT TBD lbs { g }	DRAWN	terry	5-8-86	RAYCHEM CORPORATION 300 CONSTITUTION DRIVE MENLO PARK, CALIFORNIA 94025			
	CHECKED						TITLE DATA BUS COUPLER, 3 STUB W/CORROSION RESISTANT TRIAXIAL THREADED CONNECTORS
	APPROVED	I. M.	5-8-86				
	APPROVED						
	CAD NAME	003397-1			SIZE	CODE IDENT. NO.	DWG. NO.
THIRD ANGLE PROJECTION				A	06090	D-500-0255-212	F

1.0 INTERMATEABILITY

1.1 POSITIONS J1 AND J2, D-621-0412 (WITH D-602-0126 CONTACT INSTALLED) WILL MATE WITH TRIAXIAL PLUG, D-621-0411 (WITH D-602-0127 CONTACT INSTALLED).

1.2 POSITIONS J3, J4 AND J5, D-621-0412 (WITH D-602-0127 CONTACT INSTALLED) WILL MATE WITH TRIAXIAL PLUG, D-621-0411 (WITH D-602-0126 CONTACT INSTALLED).

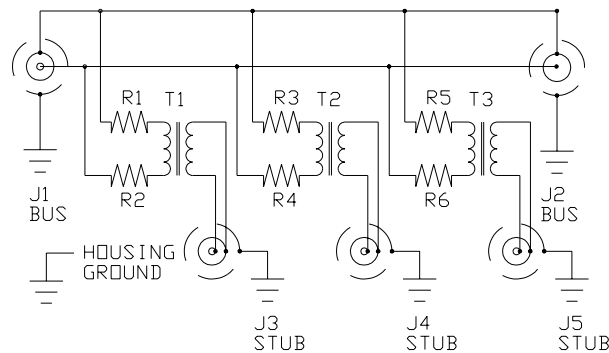
2.0 PERFORMANCE

2.1 FUNCTIONAL REQUIREMENTS: THIS COUPLER MEETS THE APPLICABLE FUNCTIONAL REQUIREMENTS OF RAYCHEM SPECIFICATION D-6020.

2.2 SERVICE CONDITIONS: THE COUPLER SHALL OPERATE UNDER ANY OF THE ENVIRONMENTAL SERVICE CONDITIONS AS SPECIFIED IN MIL-E-5400, CLASS UPGRADED TO 125°C CONTINUOUS OPERATION.

2.3 ALTITUDE: SEA LEVEL TO 50,000 FEET.

2.4 SALT SPRAY CORROSION RESISTANCE: 500 HOURS

SCHEMATIC DIAGRAM

**If this document is printed it becomes uncontrolled.
Check with the web for latest revision.**

CAD NAME: 003397-2

DRAWN terry 12-4-86

SIZE

A

CODE IDENT. NO.

06090

DWG. NO.

D-500-0255-212

REV

F

ISSUED

DO NOT SCALE THIS DRAWING

SHEET 2 OF 2