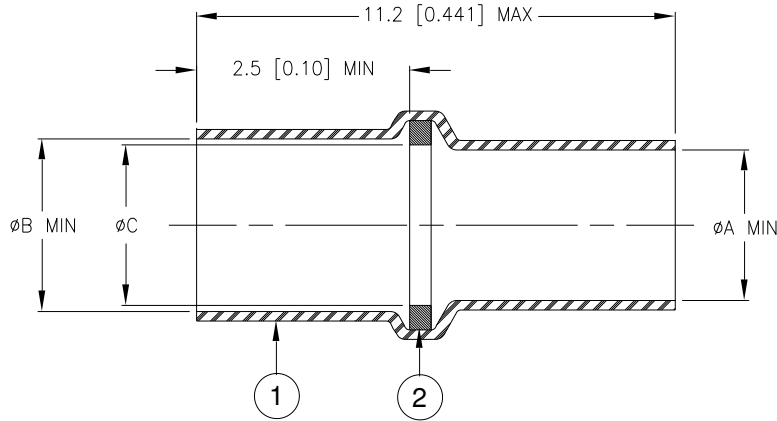


CUSTOMER DRAWING



Product Name	Product Dimensions		
	ϕA^1 min	ϕB^1 min	ϕC^2
D-210-1801	1.9 [0.075]	2.41 [0.095]	2.52±0.05 [0.100±0.002]
D-210-1802	2.8 [0.110]	3.18 [0.125]	3.15±0.05 [0.120±0.002]
D-210-1803	4.6 [0.180]	5.08 [0.200]	5.06±0.05 [0.200±0.002]
D-210-1804	6.0 [0.235]	6.35 [0.250]	6.50±0.10 [0.256±0.004]
D-210-1805	7.1 [0.280]	7.62 [0.300]	7.60±0.10 [0.300±0.004]
D-210-1806	9.0 [0.355]	10.40 [0.410]	11.68±0.10 [0.460±0.004]

¹As received minimum: Insulation diameter for wires entering this end must be less than this value.

²Solder preform diameter: Combined conductor diameter must be less than this value.


MATERIALS

- INSULATION SLEEVE: Heat-shrinkable, transparent blue, radiation cross-linked polyvinylidene flouride.
- SOLDER PREFORM WITH FLUX:
 - SOLDER: TYPE Sn42Bi58 per ANSI / J-STD-006.
 - FLUX: TYPE ROL0 per ANSI / J-STD-004.

APPLICATION

- These parts are designed for use in splicing wires rated for at least 125°C, and having tin-plated conductors.
- When installed in accordance with Tyco Electronics Process Standard RCPS-100-70, parts will meet performance requirements of Raychem Specification RT-1404 for non-sealed splices.
- Temperature rating: -55°C to +125°C.
- Pre-tinning wires larger than 20 AWG will decrease installation time and increase usable CMA range.

TE Connectivity, TE connectivity (logo), Raychem, and SolderSleeve are trademarks

		Raychem		TITLE: SOLDERSLEEVE DEVICE WIRE SPLICE RoHS COMPLIANT					
Unless otherwise specified dimensions are in millimeters. [Inches dimensions are shown in brackets]				DOCUMENT NO.: D-210-1801/-1806					
TOLERANCES: 0.00 N/A 0.0 N/A 0 N/A		ANGLES: N/A ROUGHNESS IN MICRON		TE Connectivity reserves the right to amend this drawing at any time. Users should evaluate the suitability of the product for their application.		Revision: B		Issue Date : March 2020	
PREPARED BY: mforonda		DATE: 10-Jul-06		ECO: ECO-20-003568		CAGE CODE : 06090		SCALE: ---	
						SIZE: A		SHEET: 1 of 1	

Print Date: 13-Mar-20

© 2005 - 2006 Tyco Electronics Corporation. All rights reserved.

If this document is printed it becomes uncontrolled. Check for the latest revision.