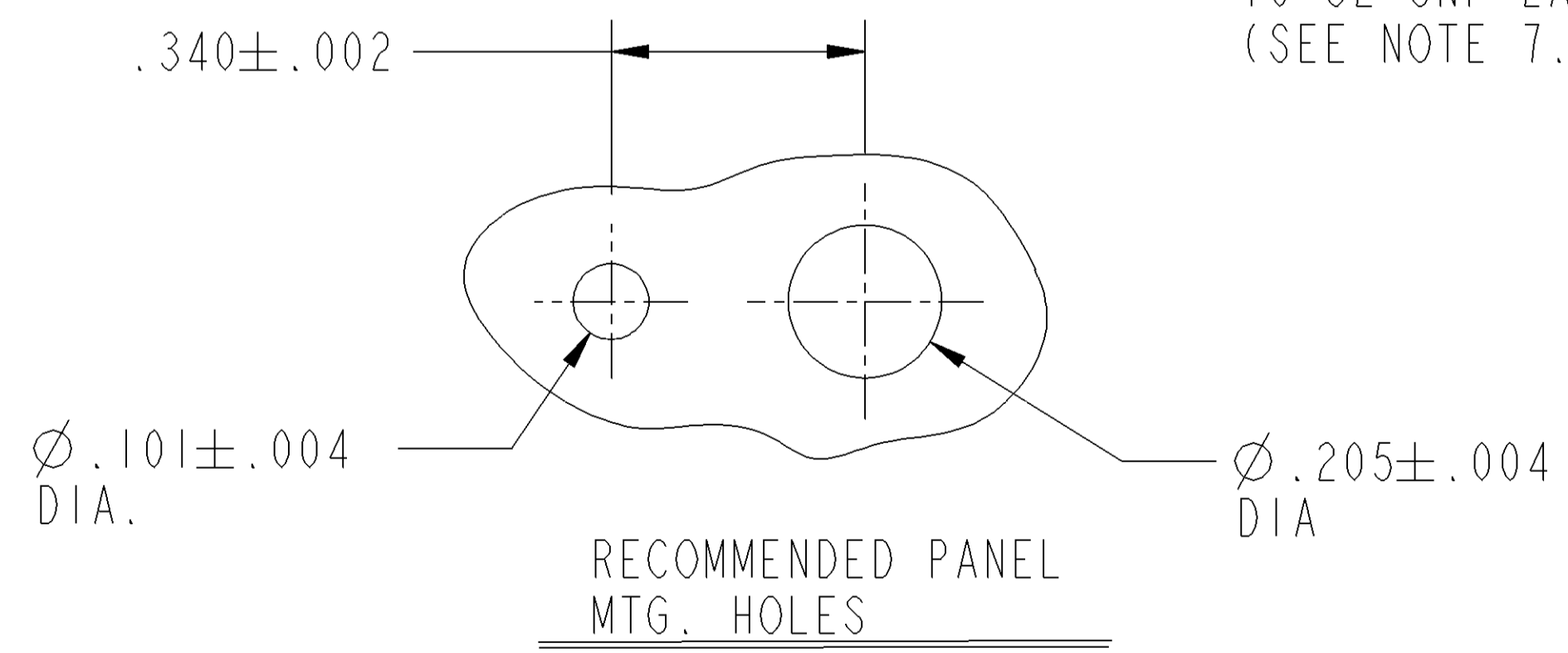
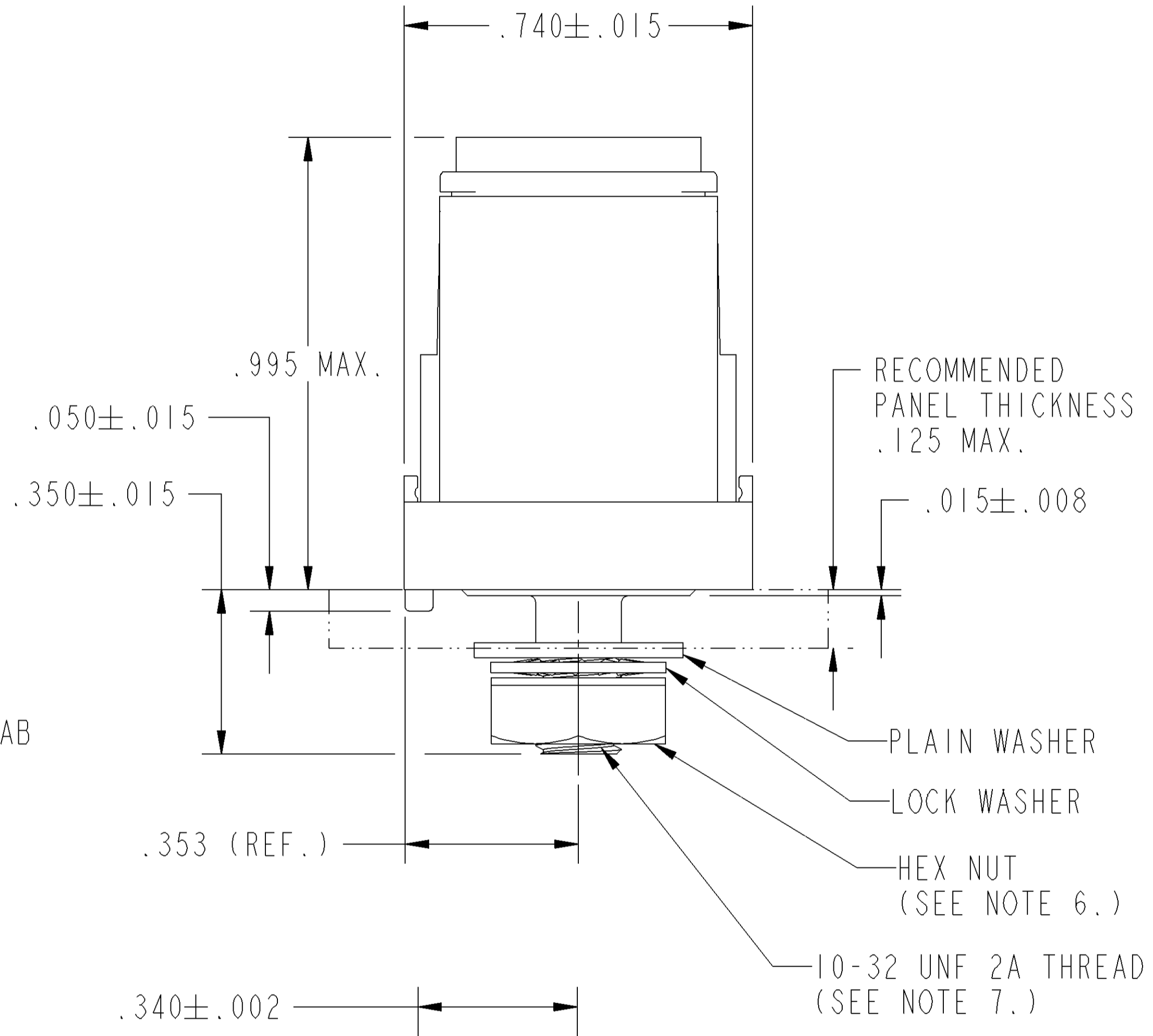
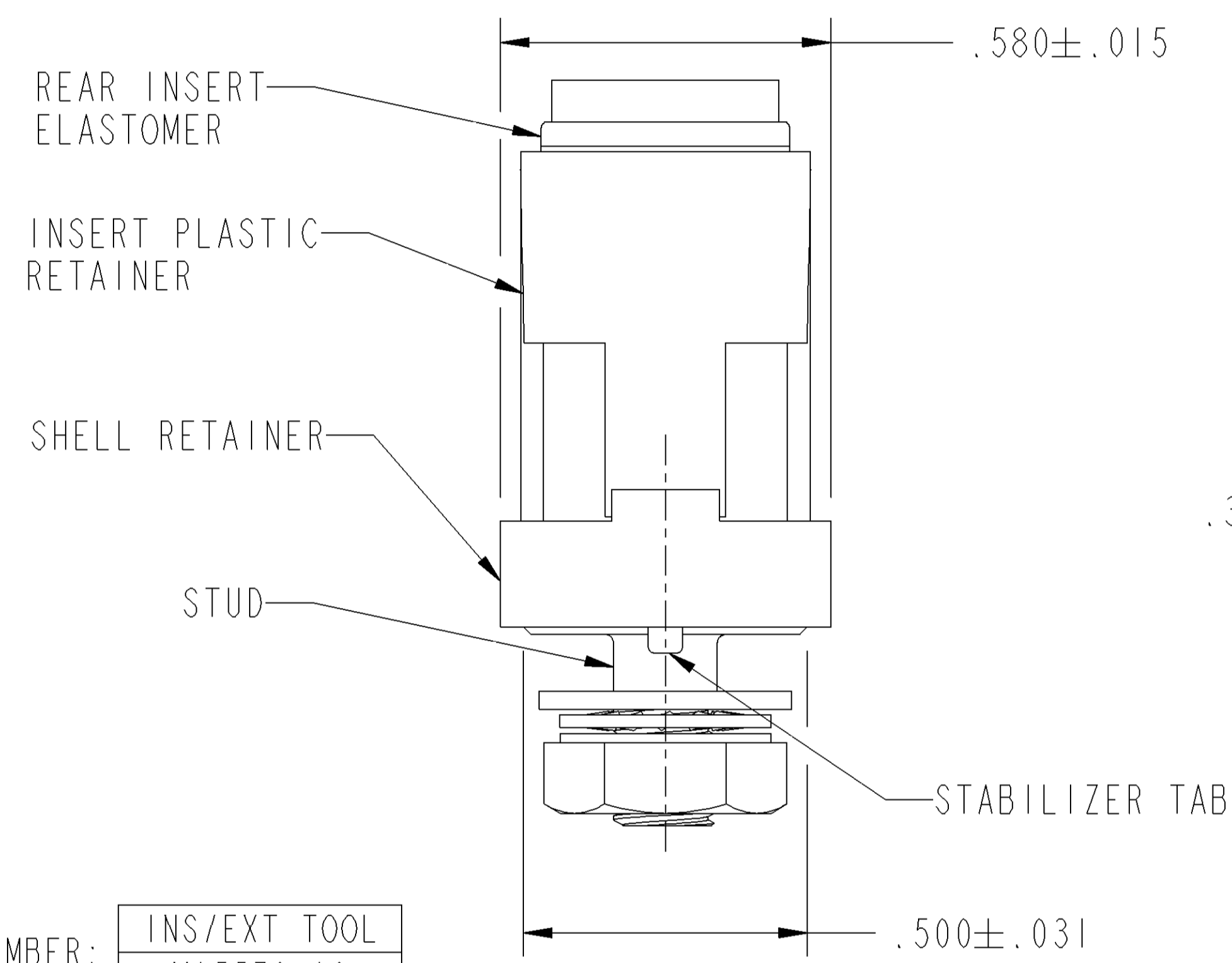
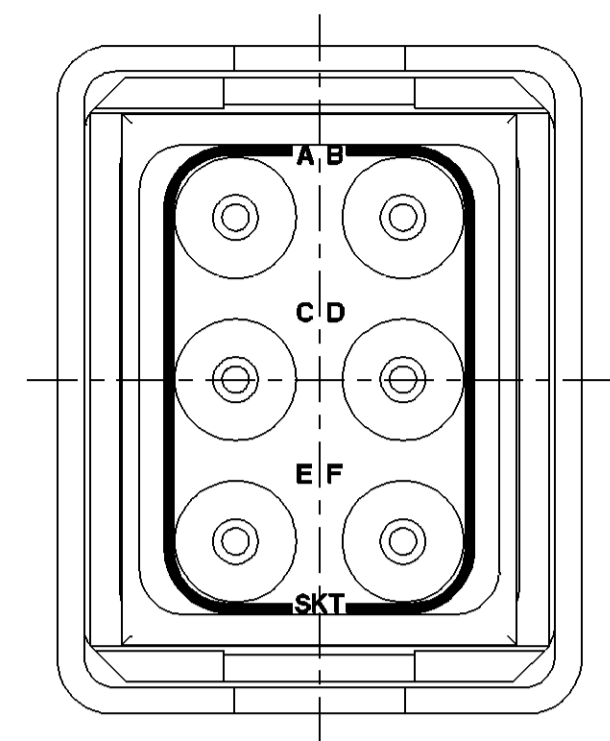


REV	CTJ716E01D
E	

REVISION HISTORY			
REV	DESCRIPTION	DATE	APPROVED
N/C	NEW RELEASE PER E.O. 73218	760126	
A	CHANGED PER E.O. 82029	760224	
B	DETABULATED & REDRAWN PER E.O. 81566	760330	JDM
C	CHANGED PER E.O. 82107	760504	ROWELL
D	REVISED PER E.O. 90795	830426	L. STOLLE
E	REDRAWN PER E.O. D0028	120323	PB



INS/EXT TOOL
M15570-16

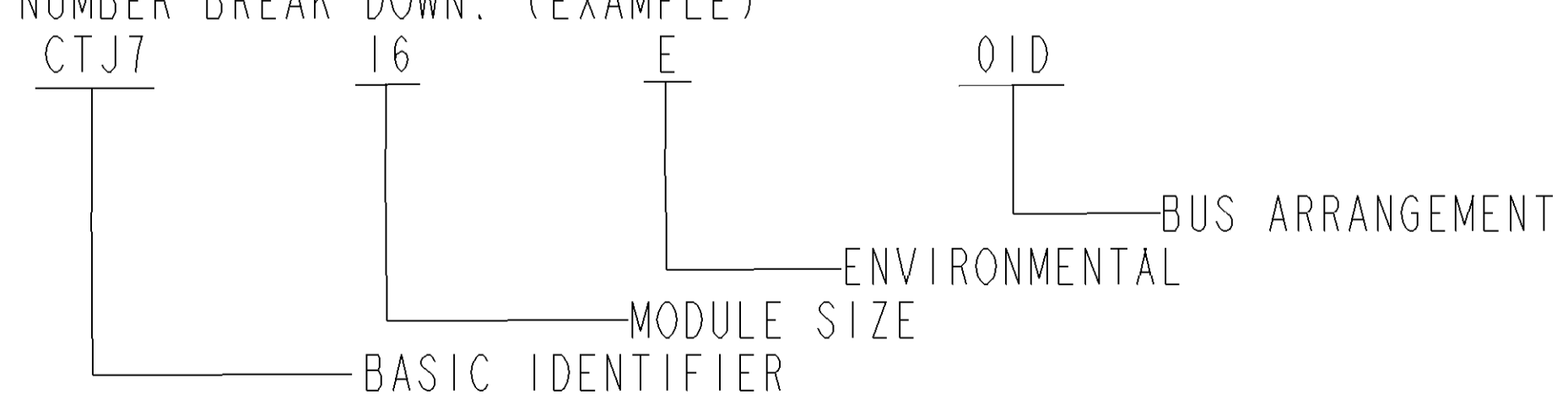
8. REQUIRED CONTACT TOOL PART NUMBER:

7. RECOMMENDED THREAD TORQUE VALUE:
#10-32 THREAD, 29 INCH LBS. MAX. TORQUE

6. COMPONENTS SUPPLIED BY DEUTSCH: PLAIN WASHER # AN960-10L
LOCK WASHER # MS35333-39
HEX NUT #AN315-3

5. FOR CONTACT DATA SEE ENVELOPE DRAWING 1625-1-0000.

4. PART NUMBER BREAK DOWN: (EXAMPLE)



3. BUS IDENTIFICATION SCREENED ON MODULE ASSEMBLY.

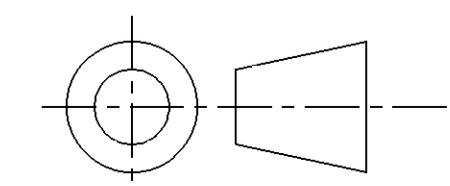
2. SEE DEUTSCH BULLETIN *129 FOR MODULE PERFORMANCE VALUES.

1. DIMENSIONS ARE IN INCHES UNLESS OTHERWISE SPECIFIED.

NOTES: UNLESS OTHERWISE SPECIFIED.

TOLERANCE UNLESS OTHERWISE SPECIFIED
DIMENSIONS ARE IN INCHES
DECIMALS .xxx±.005; .xxxx±.0005
ANGLES: X° ±.5°; X.X° ±.25°
T.I.R. .010
PARTS TO BE FREE OF BURRS & SHARP EDGES

THIRD ANGLE PROJECTION



SIGNATURE & DATE	
DR	760331
CHK	760412
PE	MACDONALD 760412
APPD	A. RENGIFO 120323
MATERIAL	
FINISH	
MATERIAL CODE	

ALL SHEETS ARE THE SAME REVISION STATUS		
DEUTSCH DEFENSE/AEROSPACE OPERATION 250 EDDIE JONES WAY OCEANSIDE, CA 92058		
TITLE MODULE CTJ GROUNDING JUNCTION 6 SIZE 16 CONTACTS ENVIRONMENTAL ENVELOPE		
SIZE C	CAGE CODE 11139	DWG NO CTJ716E01D
SCALE 3.000	WEIGHT	SHEET 1 OF 1