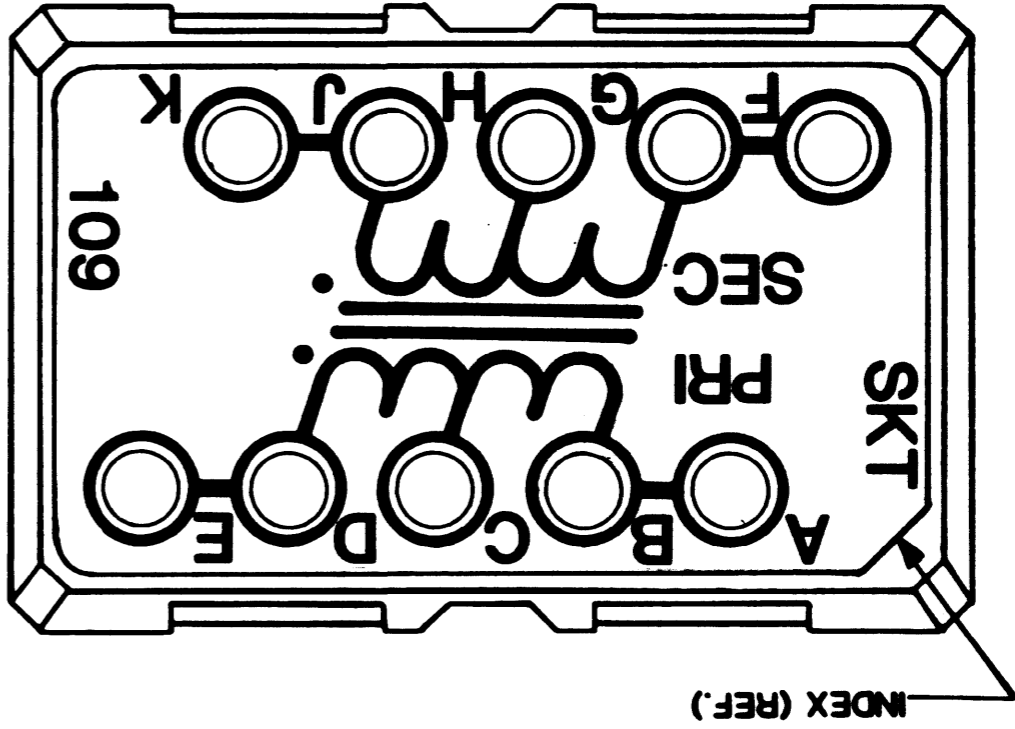
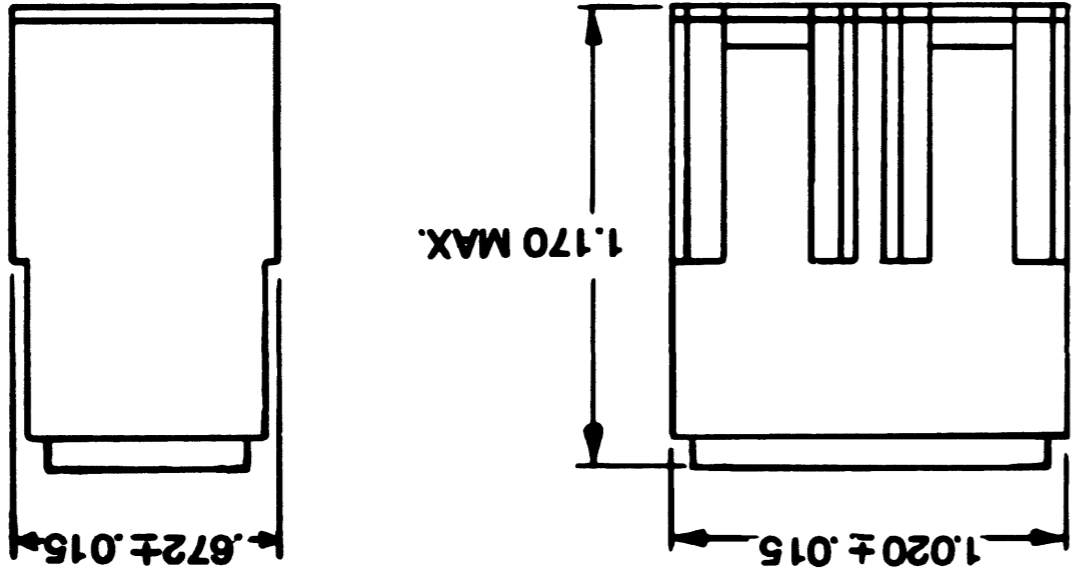


REVISIONS	
REV	DESCRIPTION
N/C	NEW RELEASE PER E.O. 96081
	DATE: 2/23/82
	APPROVED: <i>H. L.</i>

CTJ420E109



11. COMPONENT: 1 M27/172-45 TRANSFORMER CONFORMING TO MIL-T-27/172.
10. THIS ASSEMBLY CONFORMS TO AFLC 8027520-4 SPEC.
9. SOCKET CONTACTS MEET MIL-C-98029/22-182 REQUIREMENTS.
8. JUNCTION ELECTRONIC COMPONENT TEMPERATURE RANGE: -67° F TO 392° F (-56° C TO 200° C).
7. MATERIALS AND FINISHES:

HOUSINGS - THERMO PLASTIC.

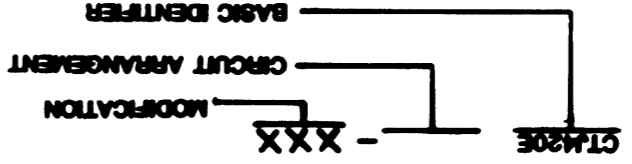
GROMMET - SILICONE ELASTOMER.

PIN CONTACTS - COPPER ALLOY PLATED GOLD.

CONTACT TOOL NO. M15670-20 IS REQUIRED.

6. SEE ENVELOPE DRAWING NO. CTJ-94444 FOR SUITABLE PAIL ASSEMBLES.

4. FOR CONTACT DATA SEE ENVELOPE DRAWING 1625-1-0000.



3. CTJ420E
2. THE CIRCUIT IDENTIFICATION WILL BE SCREENED ON JUNCTION
1. DIMENSIONS ARE IN INCHES UNLESS OTHERWISE SPECIFIED.

NOTE:

SIGNATURE & DATE	
DR	<i>Ken Williams 2/23/82</i>
CHK	<i>William Hill 2/23/82</i>
PE	<i>McDonald 2-23</i>
APPD	
SCALE	NONE
WT	

JUNCTION ASSEMBLY
ELECTRONIC COMPONENT
SIZE 12
SIZE 20 CONTACTS
109 ARRANGEMENT
ENVELOPE

MATL CODE	16
CP	
The Deutsch Company ELECTRONIC COMPONENTS DIVISION MINNEAPOLIS, MINN.	
DWG SIZE	B
CTJ420E109	
CODE	11130
SHEET	1 OF 1