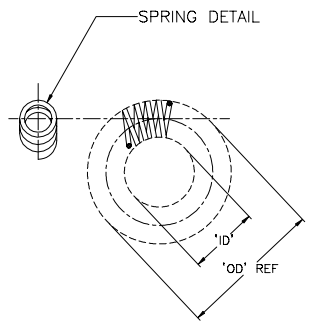


REVISIONS			
LT#	DESCRIPTION	DATE	APPROVED
1	NC RELEASED TO DOCUMENT CONTROL PER DCR #SG87145	12/12/97	GMR



ADAPTER, FRONT			
SIZE	'A' DIA +0.015 -0.000	'H' REF	V1 THREAD-MALE
A-SM	.312	1.84	7/8-12UNF-2A
A	.406	1.56	7/8-12UNF-2A
B	.515	1.56	1.0-12UNF-2A
C	.640	1.56	1 1/8-12UNF-2A
D	.750	1.91	1 1/4-12UNF-2A
E	.812	1.91	1 1/4-12UNF-2A
F	.843	1.91	1 5/16-12UNF-2A
G	.953	2.03	1 1/2-12UNF-2A
J	1.062	2.03	1 5/8-12UNF-2A
K	1.172	2.34	1 3/4-12UNF-2A
L	1.265	2.34	1 13/16-12UNF-2A
M	1.406	2.34	2-12UNF-2A
N	1.515	2.34	2 1/16-12UNS-2A
P	1.625	2.34	2 3/16-12UNS-2A
R	1.750	2.58	2 5/16-12UNS-2A
S	1.875	3.19	2 11/16-12UNS-2A
T	2.062	3.19	2 7/8-12UNS-2A
V	2.187	3.19	3.00-12UNS-2A
W	2.312	3.19	3 1/8-12UNS-2A

FOLLOWER			
SIZE	'A' DIA +0.015 -0.000	'E' DIA +0.005 -0.000	'L'
A-SM	.312	.800	.375
A	.406	.800	.250
B	.515	.870	.250
C	.640	.990	.250
D	.750	1.280	.375
E	.812	1.343	.375
F	.843	1.406	.375
G	.953	1.531	.375
J	1.062	1.593	.375
K	1.172	1.718	.375
L	1.265	1.843	.375
M	1.406	1.968	.375
N	1.515	2.093	.375
P	1.625	2.156	.375
R	1.750	2.406	.437
S	1.875	2.593	.437
T	2.062	2.740	.437
V	2.187	2.906	.437
W	2.312	2.990	.437

REAR BODY				
SIZE	'A' DIA +0.015 -0.000	'C' DIA	'R'	'T' REF
A-SM	.312	1.100	.550	1.64
A	.406	1.100	.550	1.40
B	.515	1.100	.550	1.40
C	.640	1.100	.550	1.40
D	.750	1.512	.796	1.89
E	.812	1.512	.796	1.89
F	.843	1.512	.796	1.89
G	.953	1.512	.796	1.89
J	1.062	1.512	.796	1.89
K	1.172	2.210	1.093	2.20
L	1.265	2.210	1.093	2.20
M	1.406	2.210	1.093	2.20
N	1.515	2.210	1.093	2.20
P	1.625	3.572	1.625	2.72
R	1.750	3.572	1.625	2.78
S	1.875	3.572	1.625	2.78
T	2.062	3.572	1.625	2.78
V	2.187	3.572	1.625	2.78
W	2.312	3.572	1.625	2.78

SPRINGS		
SPRING SIZE	'ID' ±.045	'OD' REF
A-SM	.312	.780
A	.437	.780
B	.546	.890
C	.656	1.000
D	.781	1.310
E	.843	1.375
F	.875	1.405
G	.984	1.515
J	1.093	1.625
K	1.203	1.735
L	1.297	1.830
M	1.437	1.970
N	1.546	2.075
P	1.655	2.185
R	1.781	2.440
S	1.906	2.565
T	2.093	2.755
V	2.218	2.880
W	2.343	3.000

NOTES:

- CABLE SHIELD GROUNDING ADAPTERS PROVIDE 360° GROUNDING TO OVERALL SHIELDED CABLES. THESE ARE FOR USED AT THE ENTRANCE TO STUFFING TUBES AND ARE AVAILABLE IN A VARIETY OF SIZES TO FIT VARIOUS THREADED ASSEMBLIES.

If this document is printed it becomes uncontrolled.
Check for the latest revision.

SPECIFICATION CONTROL DRAWING

UNLESS OTHERWISE SPECIFIED DIMENSIONS ARE IN INCHES AND TOLERANCES ARE: DEC .XXX±.030 DEC .XX±.06 ANGLE ±2°	DATE: 97Dec9 DESIGNED: C.ROSITANO DRAWN: K.C.GAY CHECKED: K.C.GAY PROJECT: CSASCDI	DATE: 97Dec18 TITLE: CABLE SHIELD GROUNDING ADAPTER WITH MALE THREADS DWG. NO.: 06090 SCALE: NONE	REV: 1 OF 1 INC
--	--	--	--------------------

CSGA-X