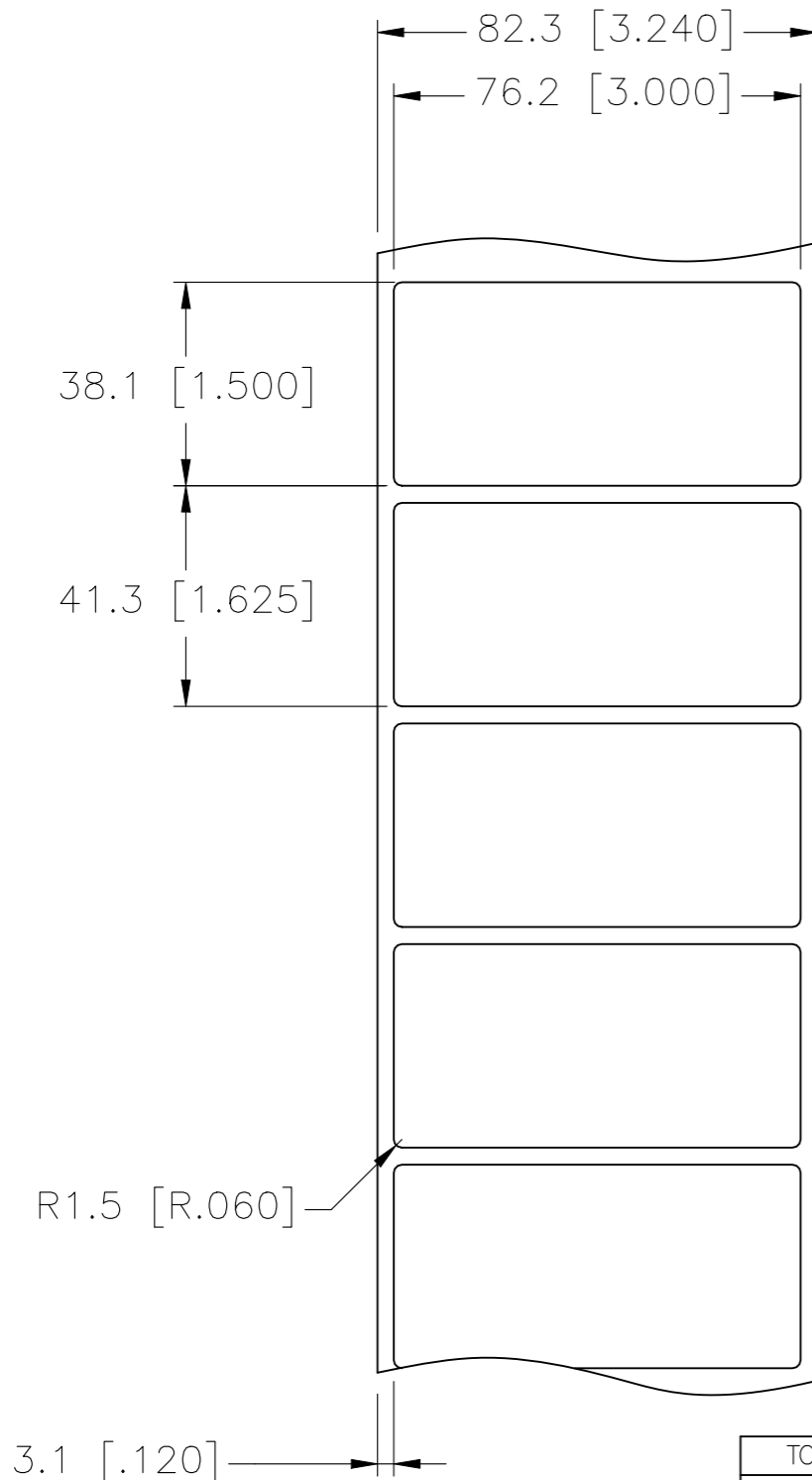
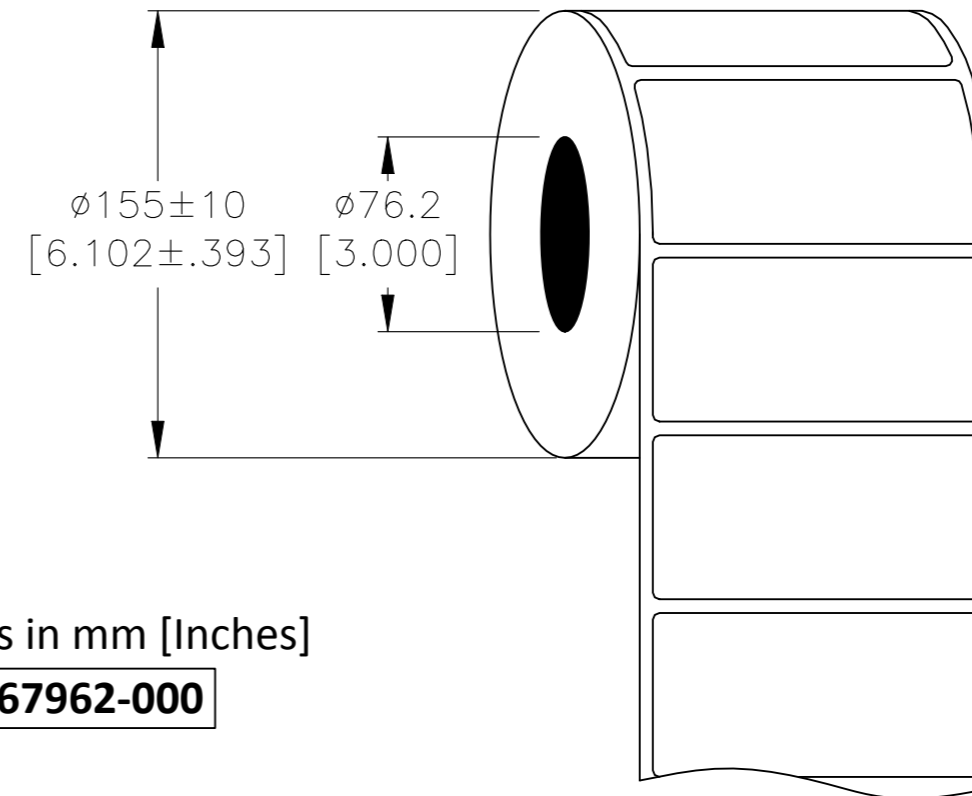


P	LTR	DESCRIPTION	DATE	DWN	APVD
	B	ECR-21-001705	15FEB2021	GK	MN

### LABEL AND LINER DESIGN



### PRESENTATION



All dimensions in mm [Inches]

**TE PN: A67962-000**

**OUTSIDE WOUND  
LABEL ACROSS: 1  
PER ROLL QTY: 2500**

MATERIAL	CLEAR POLYESTER
ADHESIVE TYPE	PERMANENT ACRYLIC
LINER	GLASSINE PAPER

TOLERANCES mm [INCH]	
LABEL HEIGHT:	±0.3 [.012]
LABEL WIDTH:	±0.3 [.012]
WEB WIDTH:	±0.8 [.031]
VERTICAL REPEAT:	±0.8 [.031]*
HORIZONTAL REPEAT:	±0.8 [.031]*
PRINT POSITIONING:	±0.8 [.031]*
LEFT MARGIN:	±0.4 [.016]
QUANTITY:	-0 % +2 %
*NON ACCUMULATING	

THIS DRAWING IS A CONTROLLED DOCUMENT.	
DIMENSIONS: mm [INCHES]	TOLERANCES UNLESS OTHERWISE SPECIFIED:
	0 PLC ± -
	1 PLC ± -
	2 PLC ± -
	3 PLC ± -
	4 PLC ± -
	ANGLES ± -
MATERIAL SEE TABLE	FINISH -

DWN	15FEB2021
GOPALAKRISHNA HV	
CHK	15FEB2021
MIKE NUTTALL	
APVD	15FEB2021
MIKE NUTTALL	
PRODUCT SPEC	
TTDS-083	
APPLICATION SPEC	
WEIGHT	0.235g

TE Connectivity		NAME		CP-762381-2.5-X
		SIZE		A3
CAGE CODE		C2290	DRAWING NO	
RESTRICTED TO		G-CP-762381-2.5-X		
CUSTOMER DRAWING		SCALE	NTS	SHEET
		1 OF 1		REV
				B