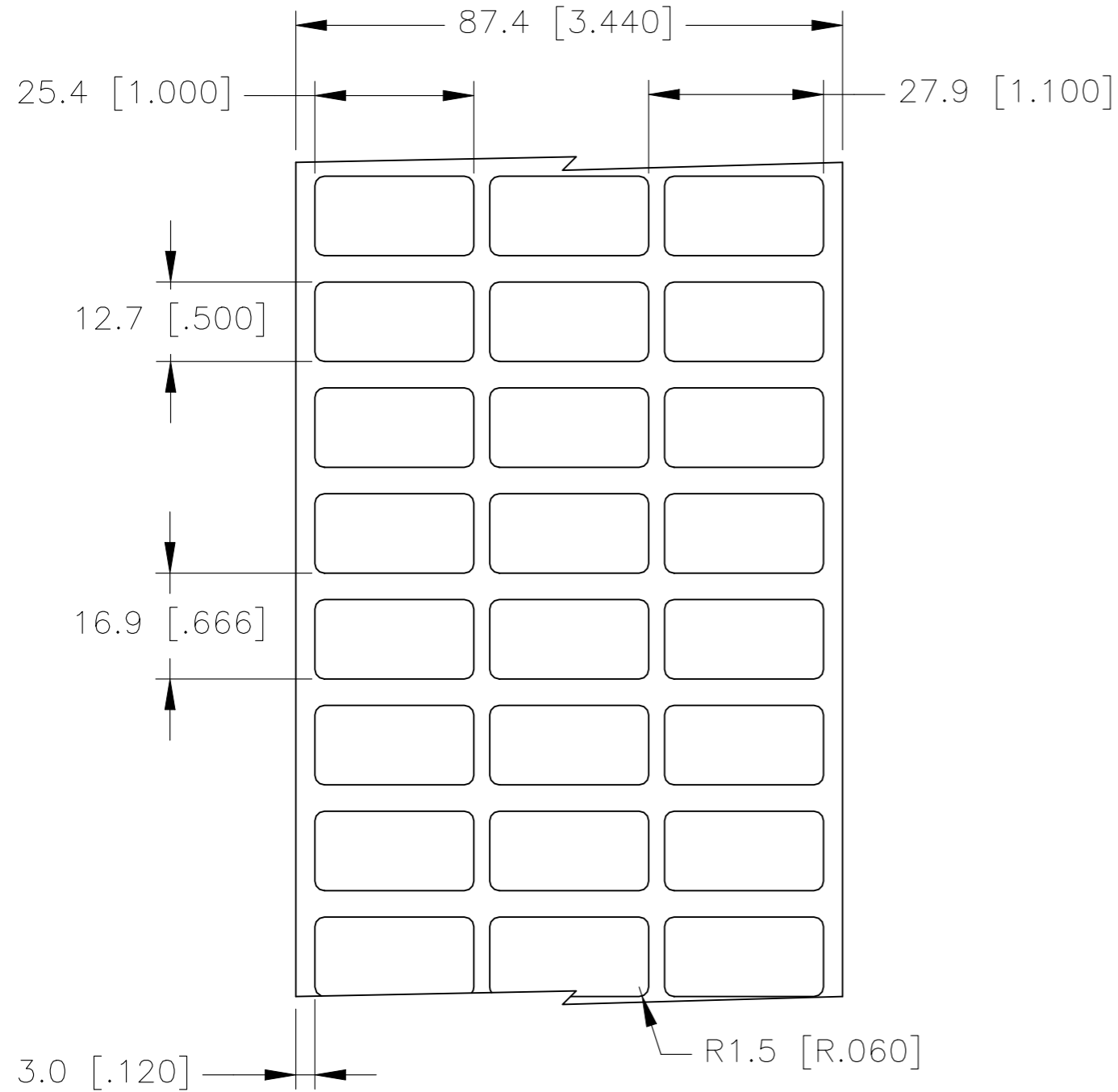
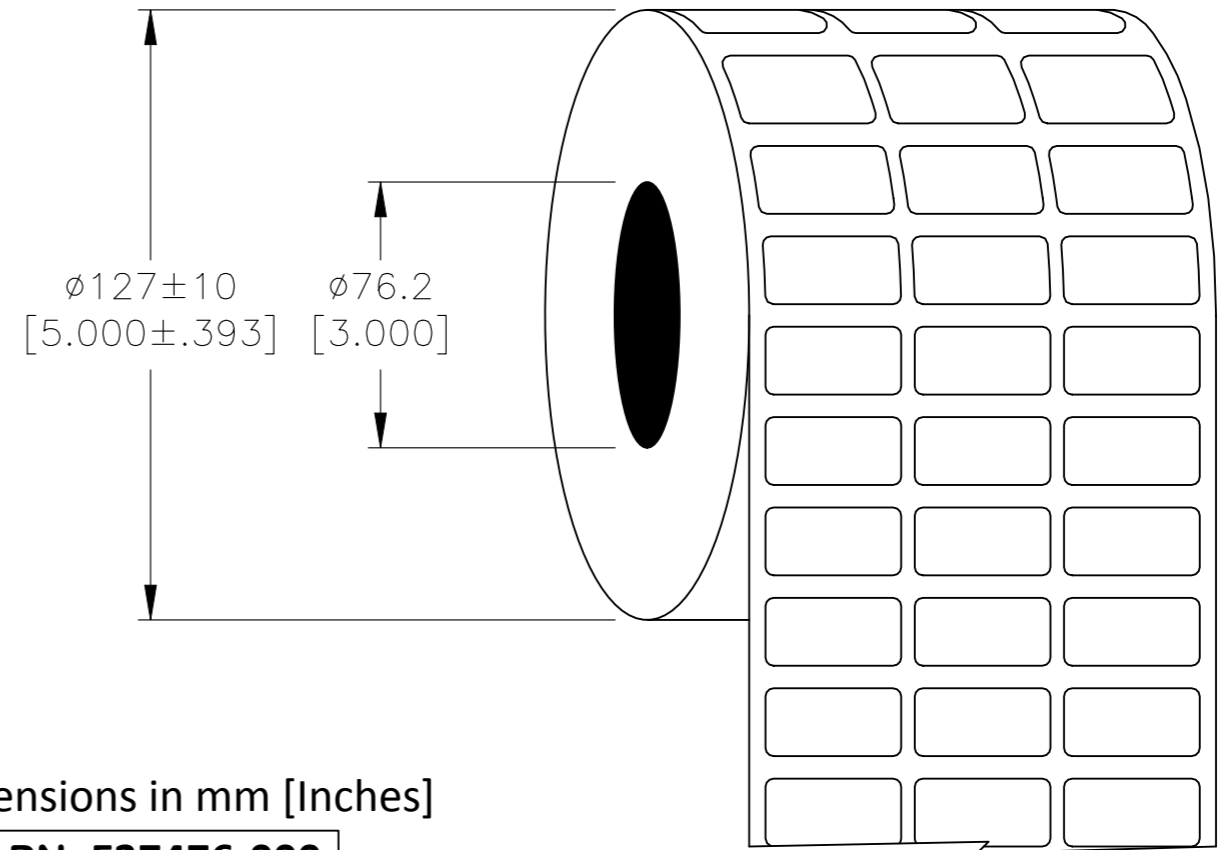


| P | LTR | DESCRIPTION | DATE | DWN | APVD |
|---|-----|-----------------|-----------|-----|------|
| | B | INITIAL RELEASE | 15FEB2021 | GK | MN |

LABEL AND LINER DESIGN



PRESENTATION



All dimensions in mm [Inches]

TE PN: E37476-000

**OUTSIDE WOUND
LABEL ACROSS: 3
PER ROLL QTY: 10000**

| | |
|---------------|-------------------|
| MATERIAL | CLEAR POLYESTER |
| ADHESIVE TYPE | PERMANENT ACRYLIC |
| LINER | GLASSINE PAPER |

| TOLERANCES mm [INCH] | |
|----------------------|--------------|
| LABEL HEIGHT: | ±0.3 [.012] |
| LABEL WIDTH: | ±0.3 [.012] |
| WEB WIDTH: | ±0.8 [.031] |
| VERTICAL REPEAT: | ±0.8 [.031]* |
| HORIZONTAL REPEAT: | ±0.8 [.031]* |
| PRINT POSITIONING: | ±0.8 [.031]* |
| LEFT MARGIN: | ±0.4 [.016] |
| QUANTITY: | -0 % +2 % |
| *NON ACCUMULATING | |

| | |
|--|--|
| THIS DRAWING IS A CONTROLLED DOCUMENT. | |
| DIMENSIONS: mm [INCHES] | TOLERANCES UNLESS OTHERWISE SPECIFIED: |
| | 0 PLC ± - |
| | 1 PLC ± - |
| | 2 PLC ± - |
| | 3 PLC ± - |
| | 4 PLC ± - |
| ANGLES ± - | ± - |
| MATERIAL SEE TABLE | FINISH - |

| | |
|------------------|-----------|
| DWN | 15FEB2021 |
| GOPALAKRISHNA HV | |
| CHK | 15FEB2021 |
| MIKE NUTTALL | |
| APVD | 15FEB2021 |
| MIKE NUTTALL | |
| PRODUCT SPEC | |
| TTDS-083 | |
| APPLICATION SPEC | |
| WEIGHT | 0.026g |

| | | | | |
|------------------|--|------------------|------------|----------------|
| TE Connectivity | | NAME | | CP-254127-10-X |
| | | SIZE | | A3 |
| CAGE CODE | | C2290 | DRAWING NO | |
| RESTRICTED TO | | G-CP-254127-10-X | | |
| CUSTOMER DRAWING | | SCALE | NTS | SHEET 1 OF 1 |
| REV | | B | | |