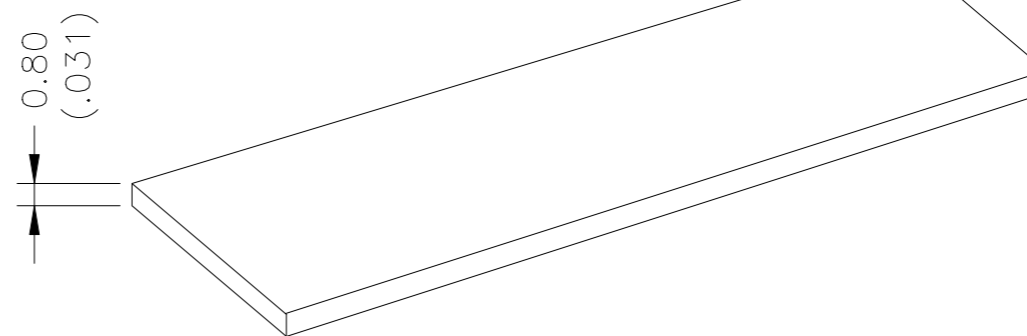
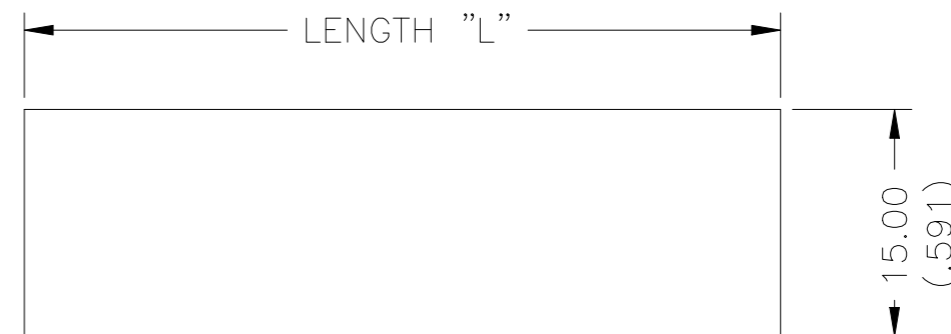
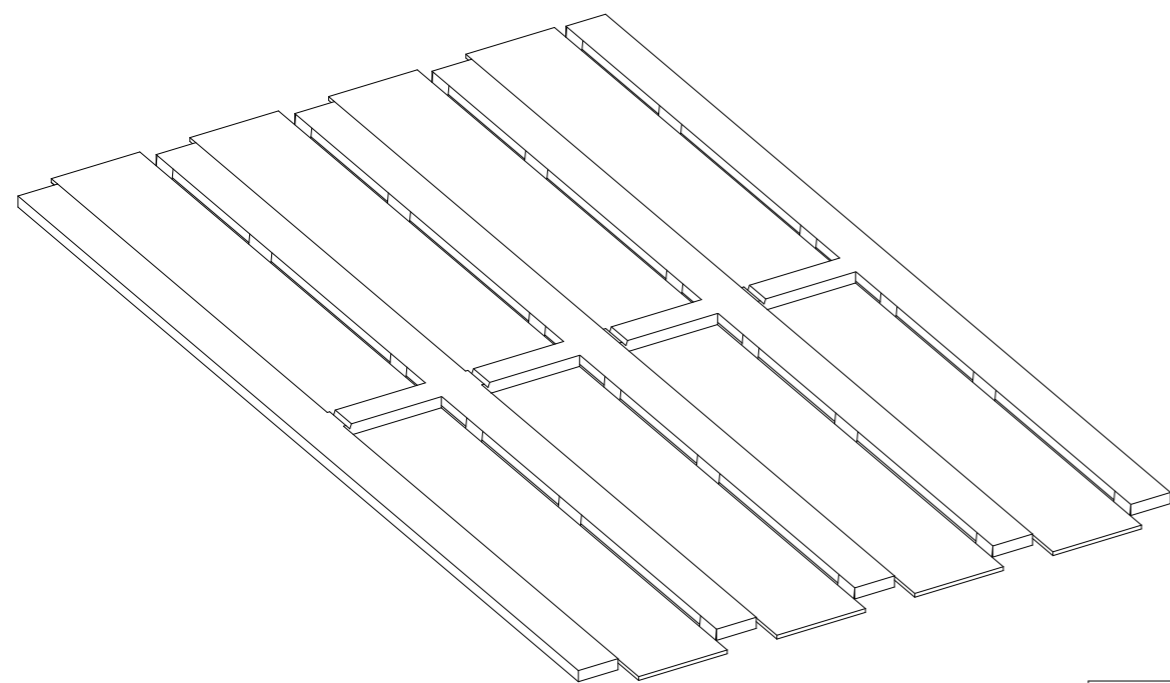


REVISIONS

P	LTR	DESCRIPTION	DATE	DWN	APVD
	1	INITIAL DRAWING	05MAR2021	AFK	LS



COVERS SUPPLIED ON HOLDER/CARD
C01567 EXAMPLE SHOWN

DESCRIPTION	PART NUMBER	LENGTH "L"	COVERS PER CARD	COVERS PER PACK
C01527	1SNA235674R0000	27 (1.063)	16	192
C01550	1SNA235675R0000	50 (1.968)	8	96
C01567	1SNA235676R0000	67 (2.638)	8	96

DIMENSIONS IN mm (inches)

THIS DRAWING IS A CONTROLLED DOCUMENT.		DWN AFK	05MAR2021		
DIMENSIONS: mm		CHK ALE	05MAR2021		
		APVD LS	05MAR2021		
TOLERANCES UNLESS OTHERWISE SPECIFIED:		PRODUCT SPEC		NAME	
0 PLC ± -		-		CLEAR PROTECTIVE COVER FOR LABEL HOLDER	
1 PLC ± -		APPLICATION SPEC		-	
2 PLC ± -		-		SIZE	CAGE CODE
3 PLC ± -		WEIGHT		A3	00779
4 PLC ± -		CUSTOMER DRAWING		DRAWING NO	
ANGLES ± -		SCALE		G-C015	
FINISH		NTS		RESTRICTED TO	
MATERIAL	PVC	SHEET		1 OF 1	
		REV		1	