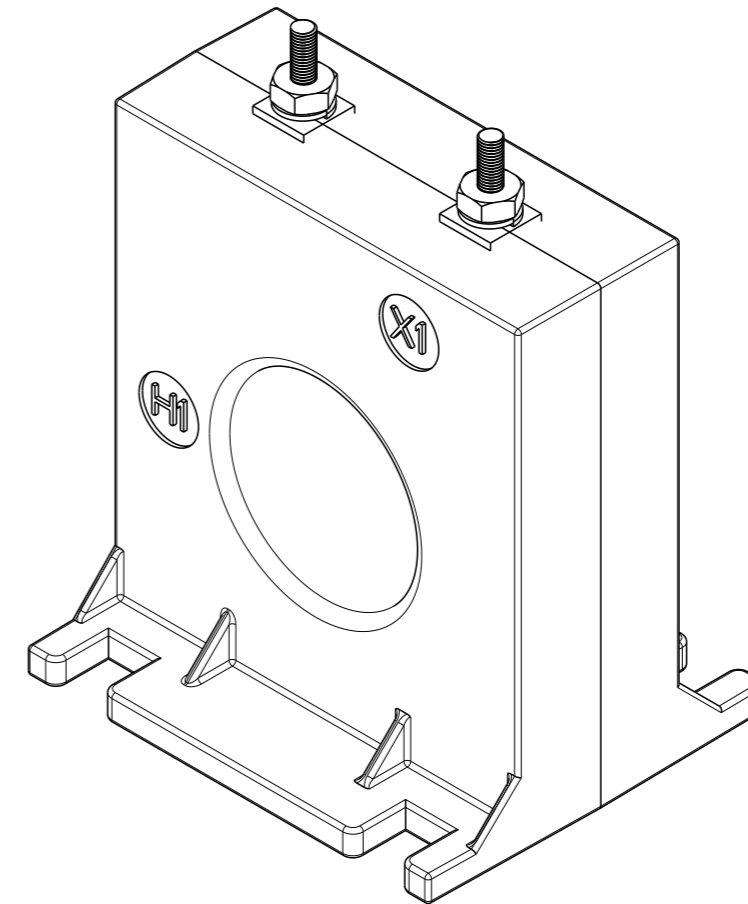
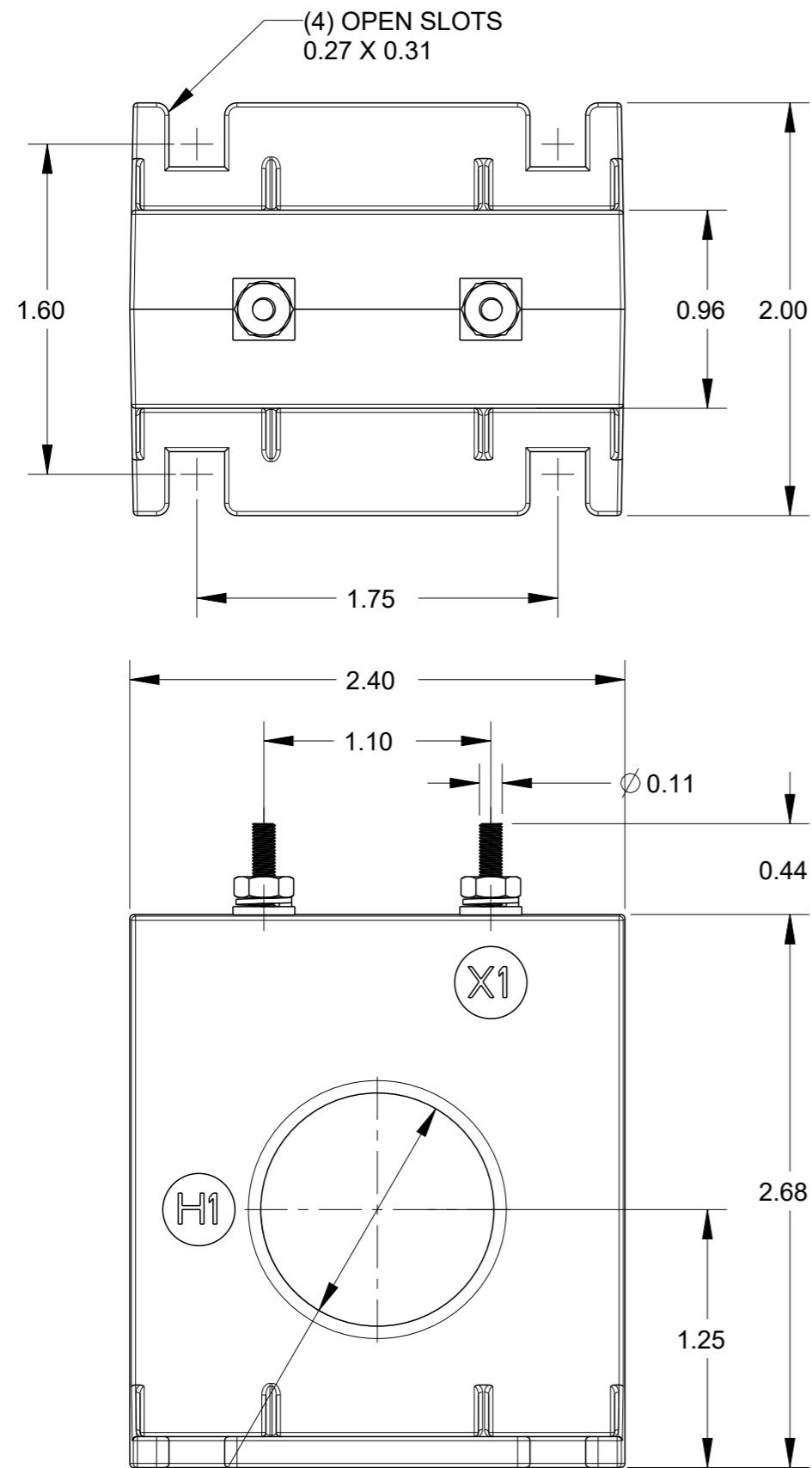


P	LTR	DESCRIPTION	DATE	DWN	APVD
1		NEW LAYOUT	08JUN2020	SB	NJ



THIS DRAWING IS A CONTROLLED DOCUMENT.		DWN 08JUN2020 SHRICHARANA B														
		CHK 08JUN2020 NIGEL JOHNSON														
		APVD 08JUN2020 NIGEL JOHNSON	NAME ANSI CT - MODEL 2SFT DIMENSIONAL DRAWING													
DIMENSIONS: in		PRODUCT SPEC -	RESTRICTED TO -													
TOLERANCES UNLESS OTHERWISE SPECIFIED:		APPLICATION SPEC -														
<table border="0"> <tr><td>0 PLC</td><td>±</td></tr> <tr><td>1 PLC</td><td>±</td></tr> <tr><td>2 PLC</td><td>±</td></tr> <tr><td>3 PLC</td><td>±</td></tr> <tr><td>4 PLC</td><td>±</td></tr> <tr><td>ANGLES</td><td>±</td></tr> </table>		0 PLC	±	1 PLC	±	2 PLC	±	3 PLC	±	4 PLC	±	ANGLES	±	WEIGHT -	SIZE A3	CAGE CODE 00779
0 PLC	±															
1 PLC	±															
2 PLC	±															
3 PLC	±															
4 PLC	±															
ANGLES	±															
MATERIAL TBD		FINISH -	DRAWING NO C=CI-3L51301													
CUSTOMER DRAWING			SCALE 5:4	SHEET 1 OF 1												
			REV 1													