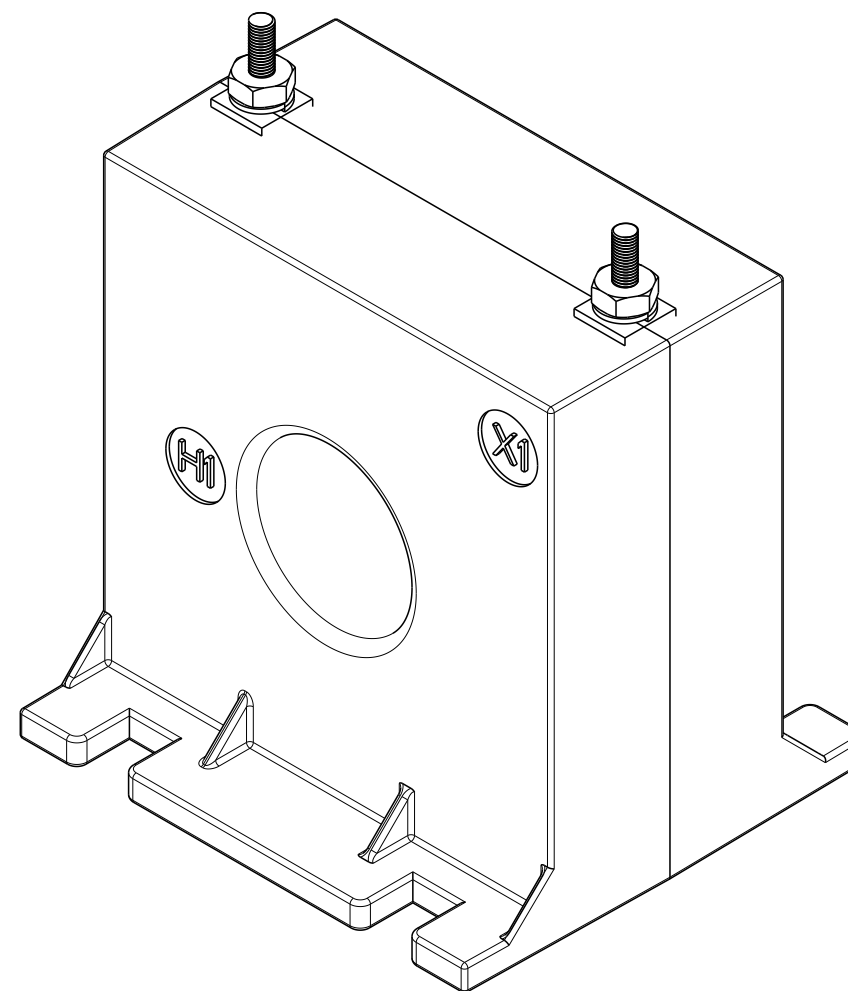
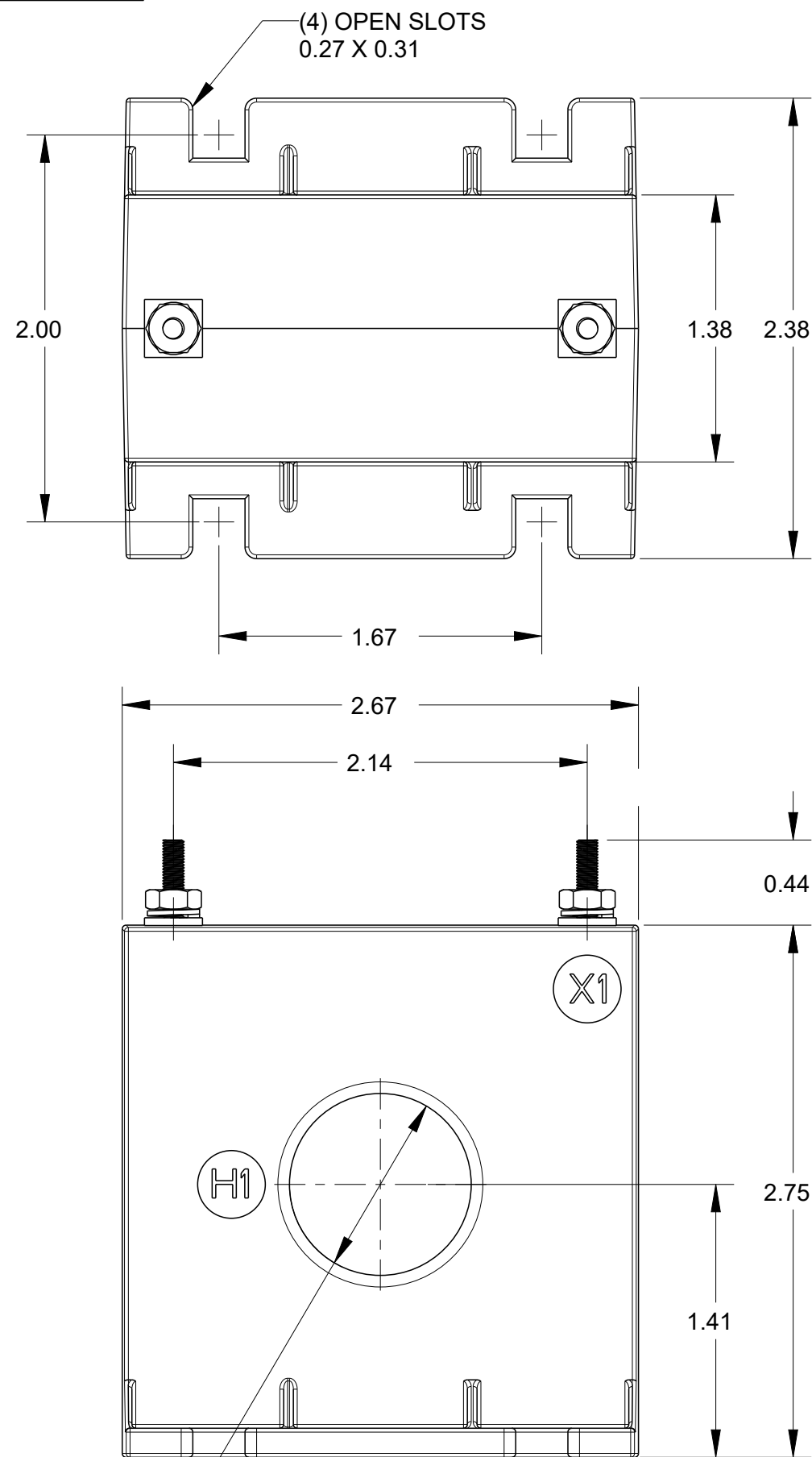


P	LTR	DESCRIPTION	DATE	DWN	APVD
1		NEW LAYOUT	08JUN2020	SB	NJ



THIS DRAWING IS A CONTROLLED DOCUMENT.

DWN 08JUN2020  
SHRICHARANA B  
CHK 08JUN2020  
NIGEL JOHNSON  
APVD 08JUN2020  
NIGEL JOHNSON

NAME  
ANSI CT - MODEL 15SFT  
DIMENSIONAL DRAWING

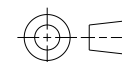


DIMENSIONS:

in

TOLERANCES UNLESS OTHERWISE SPECIFIED:

- 0 PLC ±-
- 1 PLC ±-
- 2 PLC ±-
- 3 PLC ±-
- 4 PLC ±-
- ANGLES ±



MATERIAL  
TBD

FINISH

-

PRODUCT SPEC

APPLICATION SPEC

WEIGHT

-

SIZE CAGE CODE DRAWING NO RESTRICTED TO

A3 00779 C=CI-3L51101

CUSTOMER DRAWING

SCALE 5:4

SHEET 1 OF 1

REV 1