

4

3

2

1

THIS DRAWING IS UNPUBLISHED.

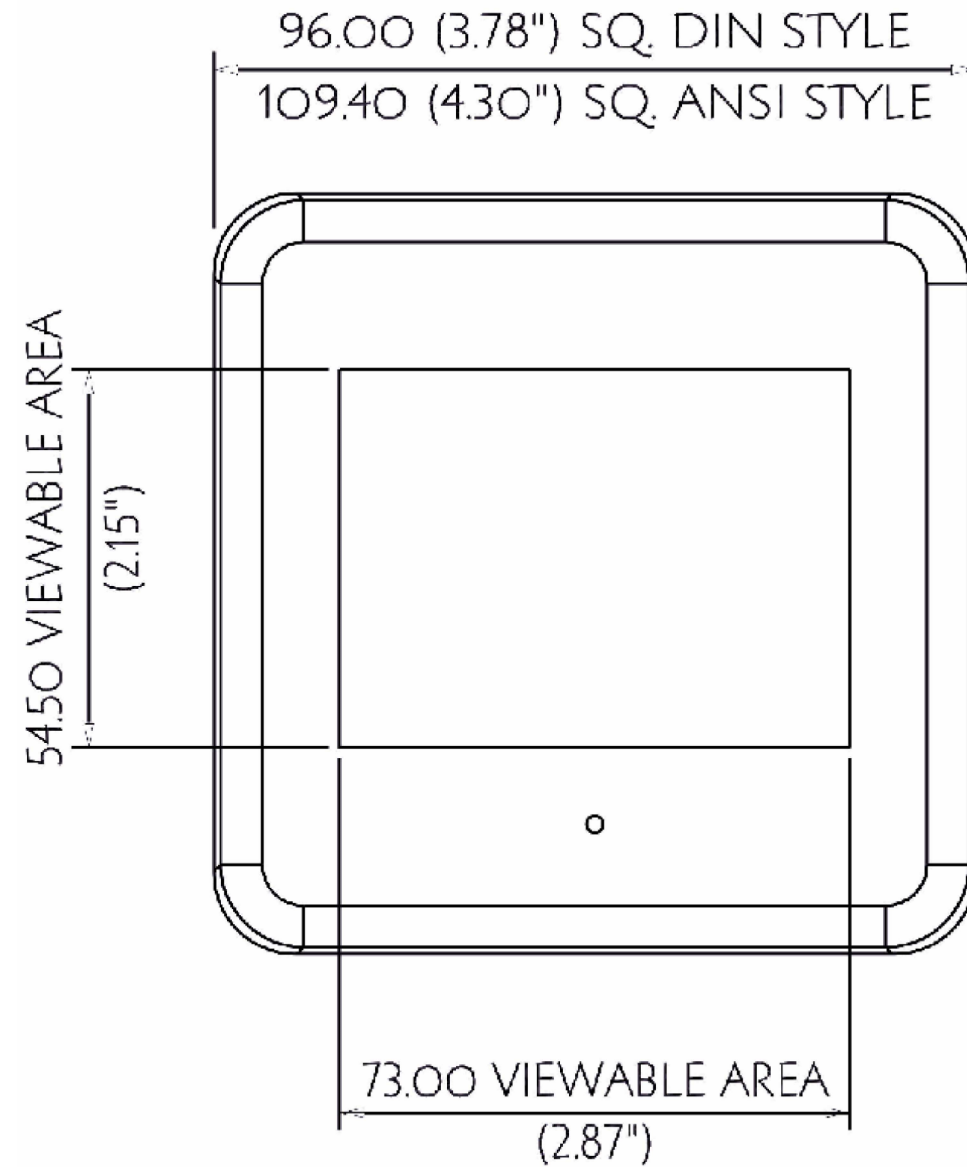
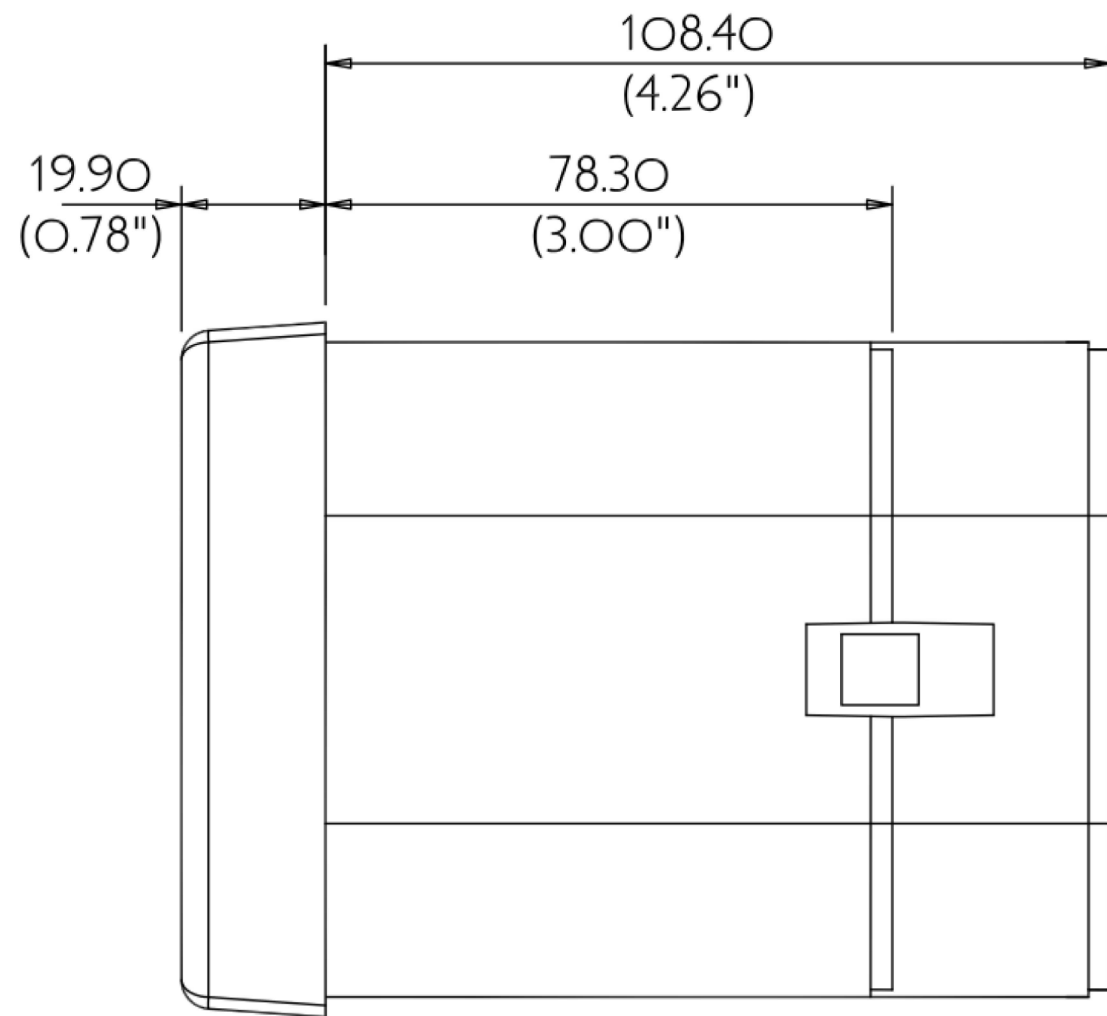
RELEASED FOR PUBLICATION


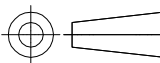
REVISIONS

© COPYRIGHT - TE Connectivity Ltd.

ALL RIGHTS RESERVED.

P	LTR	DESCRIPTION	DATE	DWN	APVD
1		NEW LAYOUT	18FEB2020	SG	NJ



THIS DRAWING IS A CONTROLLED DOCUMENT.		DWN SANDEEP G 18FEB2020	 TE Connectivity		
DIMENSIONS: mm		CHK NIGEL JOHNSON 18FEB2020			
		APVD NIGEL JOHNSON 18FEB2020	NAME OPT-2270-020		
TOLERANCES UNLESS OTHERWISE SPECIFIED:		PRODUCT SPEC	RESTRICTED TO		
0 PLC ± -		APPLICATION SPEC	SIZE	CAGE CODE	DRAWING NO
1 PLC ± -		—	A3	00779	CI-3L47301
2 PLC ± -		—	—		
3 PLC ± -		—	—		
4 PLC ± -		—	—		
ANGLES ± -		—	—		
MATERIAL		FINISH	—		
—		—	—		
		WEIGHT	—		
		—	—		
		CUSTOMER DRAWING	SCALE	SHEET	REV
		—	NTS	1 of 1	1