

4

3

2

1

THIS DRAWING IS UNPUBLISHED.

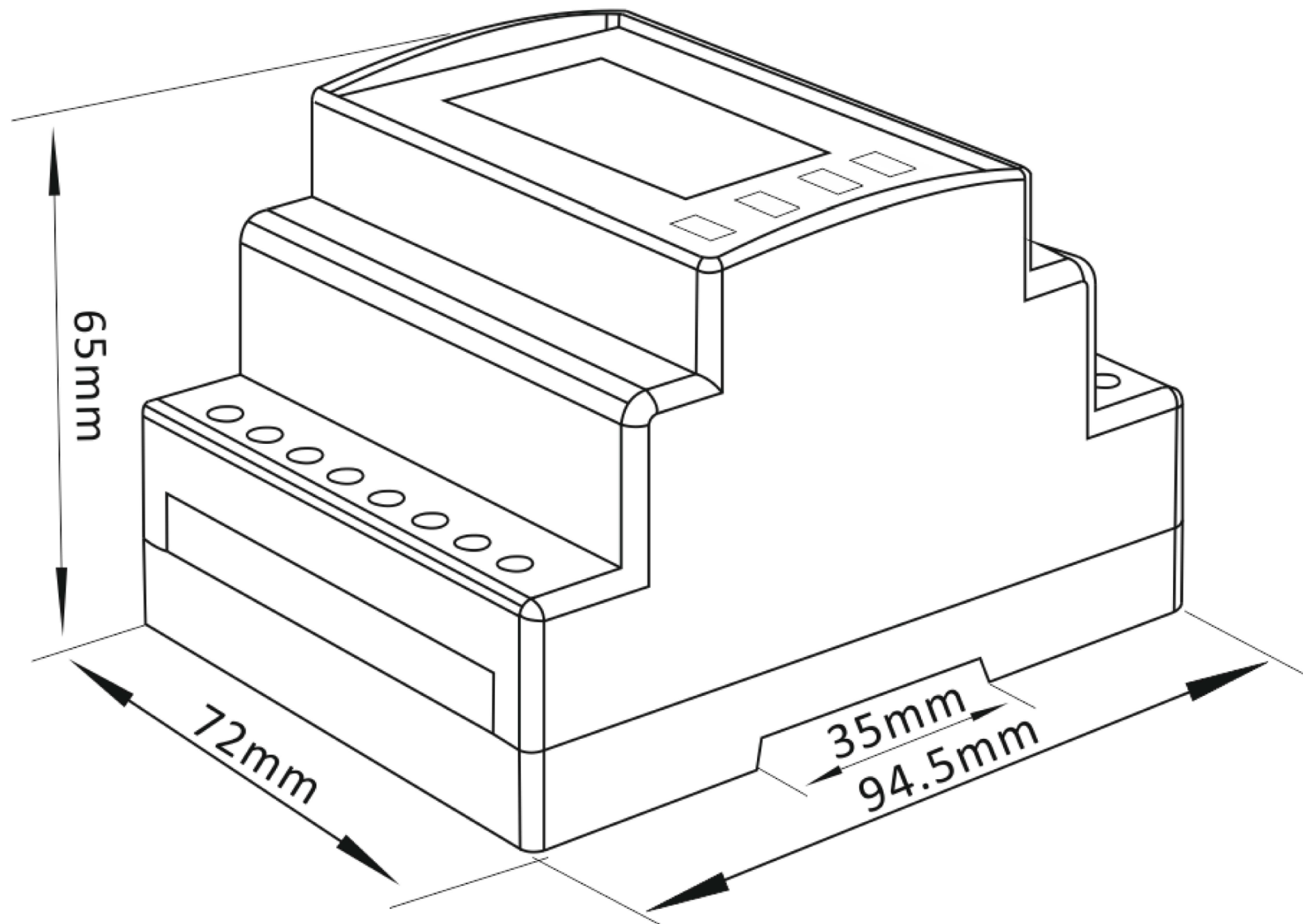
RELEASED FOR PUBLICATION


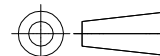
REVISIONS

© COPYRIGHT - TE Connectivity Ltd.

ALL RIGHTS RESERVED.

P	LTR	DESCRIPTION	DATE	DWN	APVD
1		NEW LAYOUT	18FEB2020	SG	NJ



THIS DRAWING IS A CONTROLLED DOCUMENT.		DWN	SANDEEP G		18FEB2020	 TE Connectivity
DIMENSIONS: mm		CHK	NIGEL JOHNSON		18FEB2020	
		APVD	NIGEL JOHNSON		18FEB2020	
TOLERANCES UNLESS OTHERWISE SPECIFIED:		PRODUCT SPEC		NAME		INT-0230-S-01
0 PLC ± -		APPLICATION SPEC		SIZE		A3
1 PLC ± -		WEIGHT		CAGE CODE		00779
2 PLC ± -		CUSTOMER DRAWING		DRAWING NO		CI-3L47201
3 PLC ± -		SCALE		SHEET		1 of 1
4 PLC ± -		NTS		REV		1
ANGLES ± -		SHEET		REV		1
FINISH		SHEET		REV		1
-		SHEET		REV		1