

4

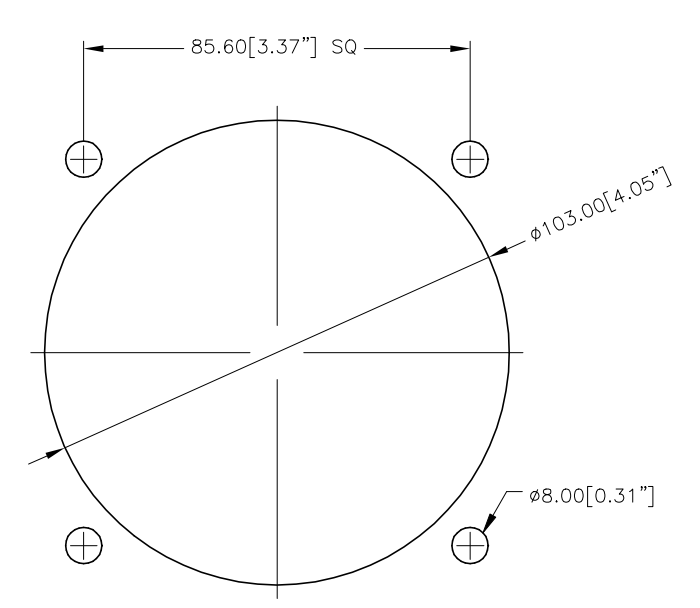
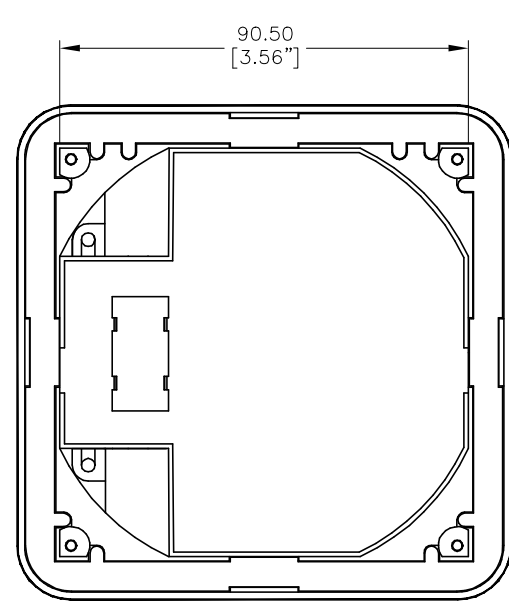
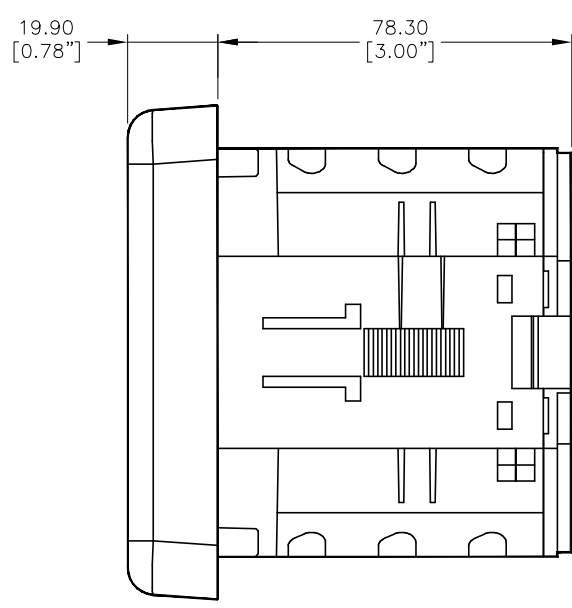
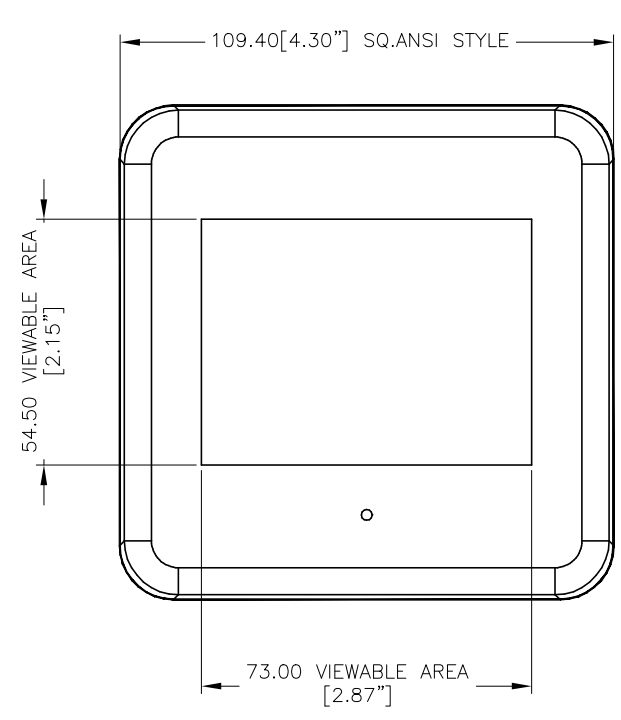
3

2

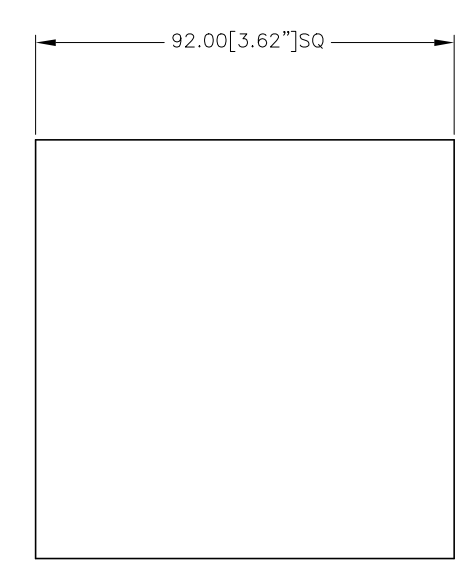
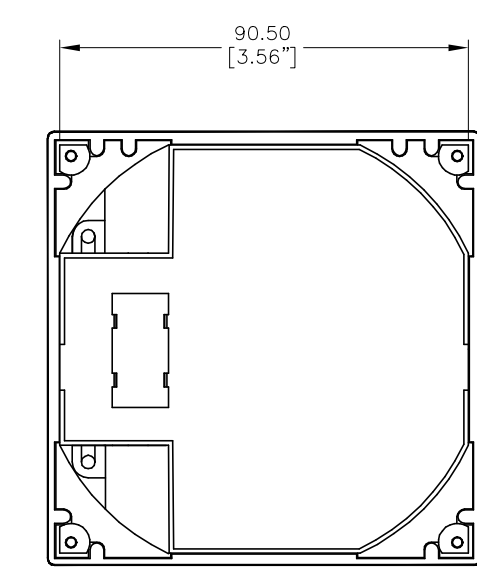
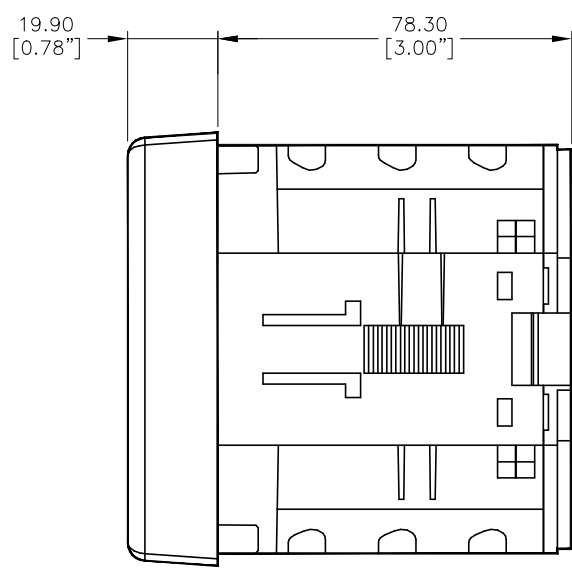
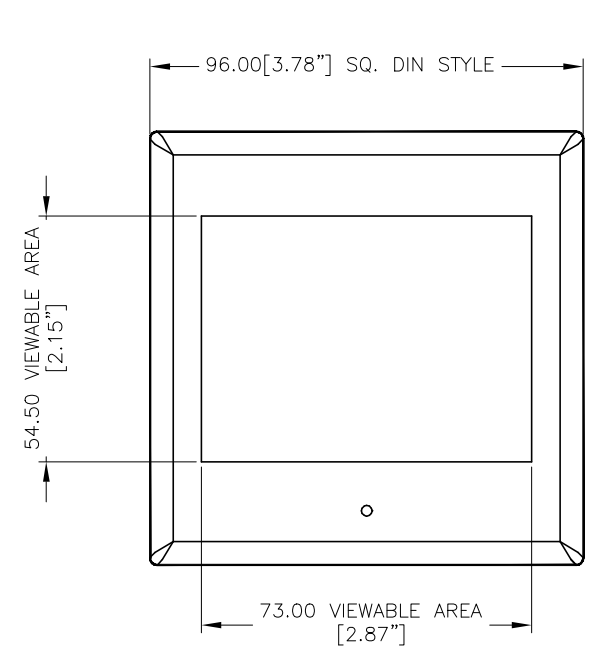
1

THIS DRAWING IS UNPUBLISHED. RELEASED FOR PUBLICATION
 © COPYRIGHT - TE Connectivity Ltd. ALL RIGHTS RESERVED.

REVISIONS				
P	LTR	DESCRIPTION	DATE	APVD
1		NEW LAYOUT	10FEB2020	SG NJ



ANSI CUTOUT



DIN CUTOUT

THIS DRAWING IS A CONTROLLED DOCUMENT.		DWN SANDEEP G 10FEB2020	TE TE Connectivity	
DIMENSIONS: mm [INCHES]		CHK NIGEL JOHNSON 10FEB2020		
TOLERANCES UNLESS OTHERWISE SPECIFIED:		APVD NIGEL JOHNSON 10FEB2020	NAME INT-2270 / 2170 ANSI AND DIN FORMAT	
<ul style="list-style-type: none"> 0 PLC ± - 1 PLC ± - 2 PLC ± - 3 PLC ± - 4 PLC ± - ANGLES ± - 		PRODUCT SPEC	SIZE CAGE CODE DRAWING NO RESTRICTED TO	
MATERIAL		APPLICATION SPEC	A3 00779 C=CI-3L42401	
FINISH		WEIGHT	CUSTOMER DRAWING	
		SCALE 1:1	SHEET 1 OF 1 REV 1	