

4

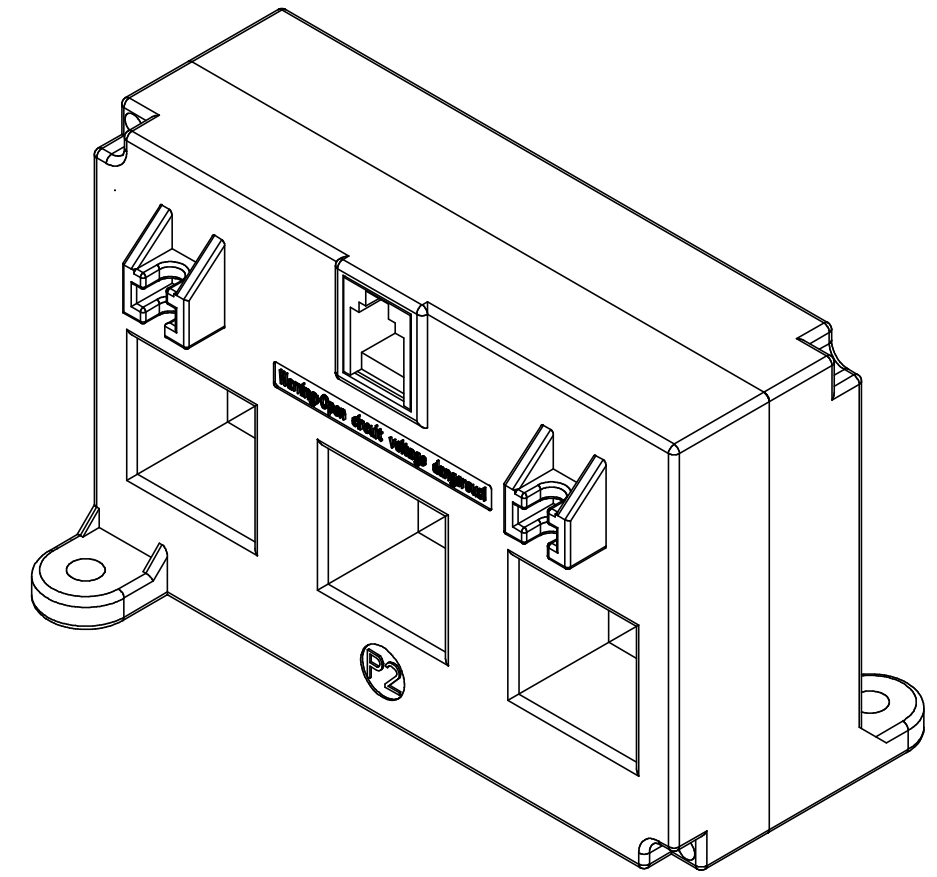
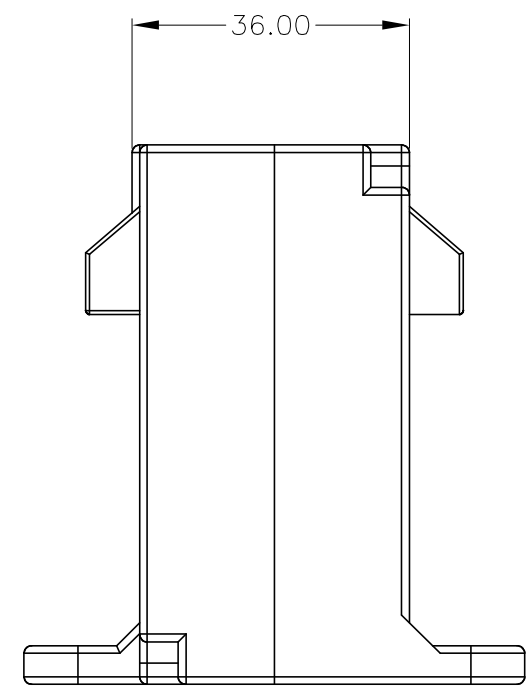
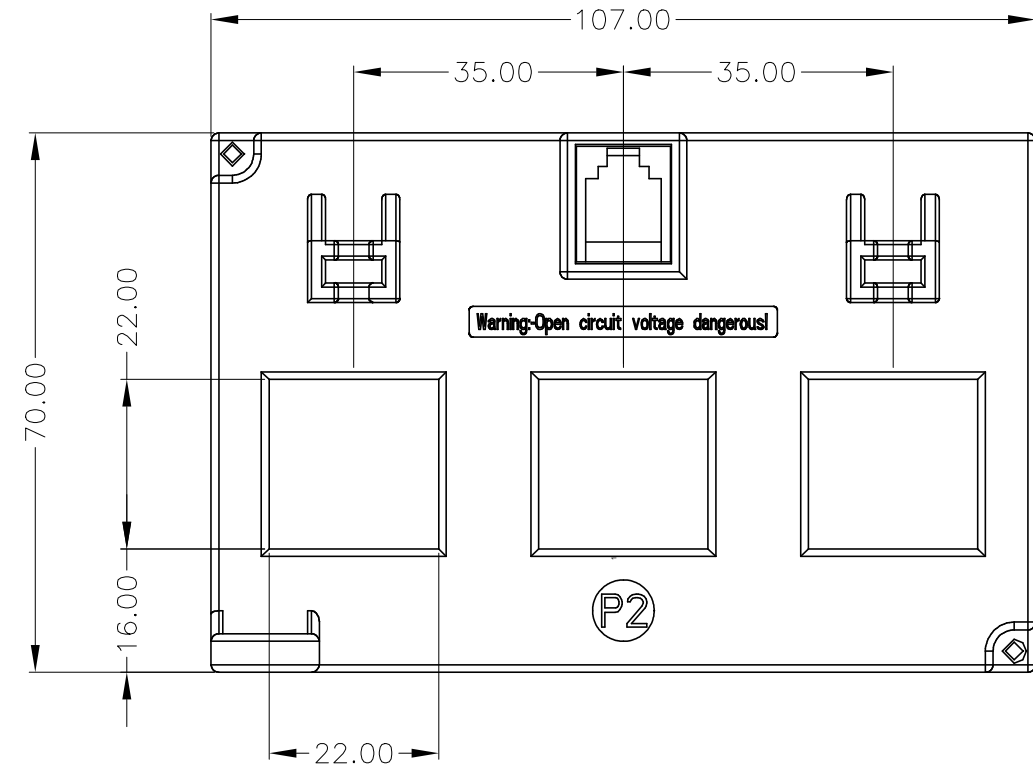
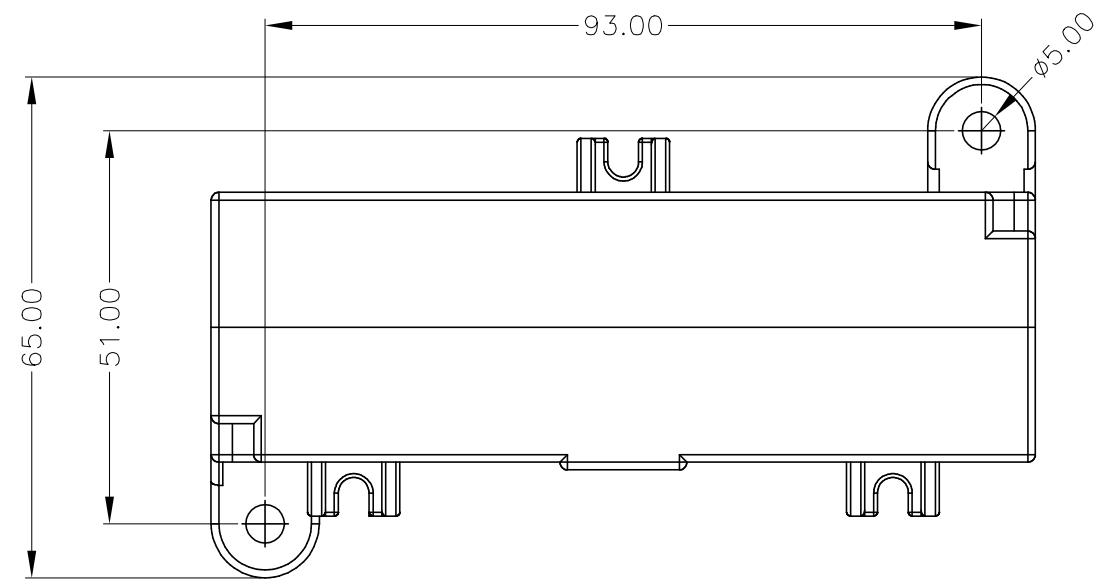
3

2

1

THIS DRAWING IS UNPUBLISHED. RELEASED FOR PUBLICATION
 © COPYRIGHT - TE Connectivity Ltd. ALL RIGHTS RESERVED.

REVISIONS					
P	LTR	DESCRIPTION	DATE	DWN	APVD
1		NEW LAYOUT	17FEB2020	SG	NJ



THIS DRAWING IS A CONTROLLED DOCUMENT.		DWN 17FEB2020 SANDEEP G	TE Connectivity			
DIMENSIONS: mm		CHK 17FEB2020 NIGEL JOHNSON				
		APVD 17FEB2020 NIGEL JOHNSON	NAME OUTLINE DRAWING 3 IN 1 CT DL3N1-35-RJ12			
TOLERANCES UNLESS OTHERWISE SPECIFIED:		PRODUCT SPEC	SIZE	CAGE CODE	DRAWING NO	RESTRICTED TO
0 PLC	± -	—	A3	00779	CI-3L01103	—
1 PLC	± 0.5	APPLICATION SPEC	SCALE			SHEET
2 PLC	± 0.1	—	NTS			1 of 1
3 PLC	± -	—	CUSTOMER DRAWING			REV
4 PLC	± -	WEIGHT	—			1
ANGLES	± -					
MATERIAL	FINISH					
—	—					