

4

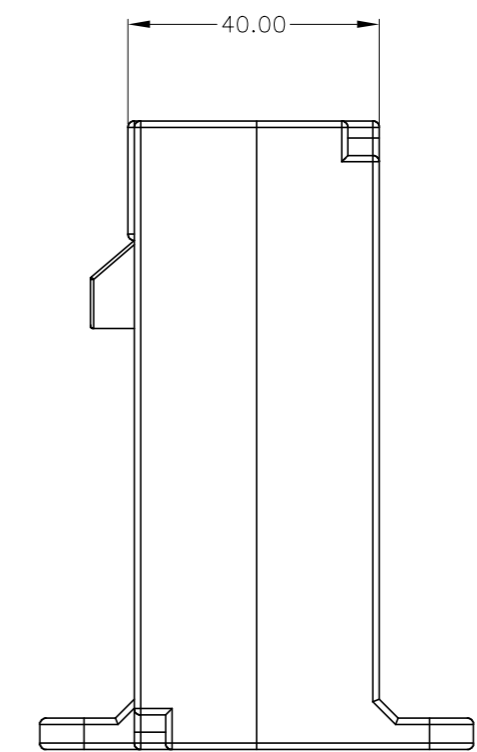
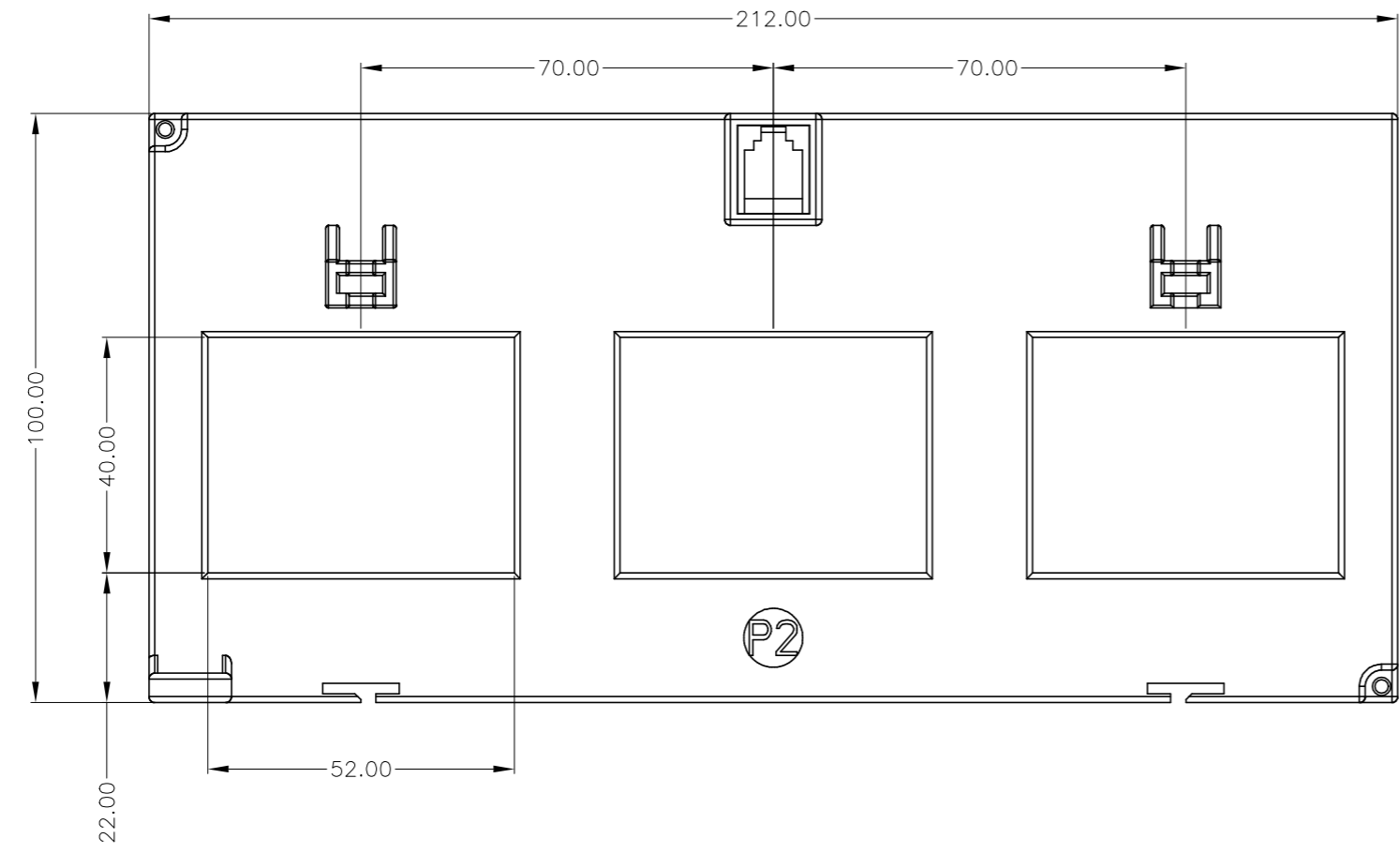
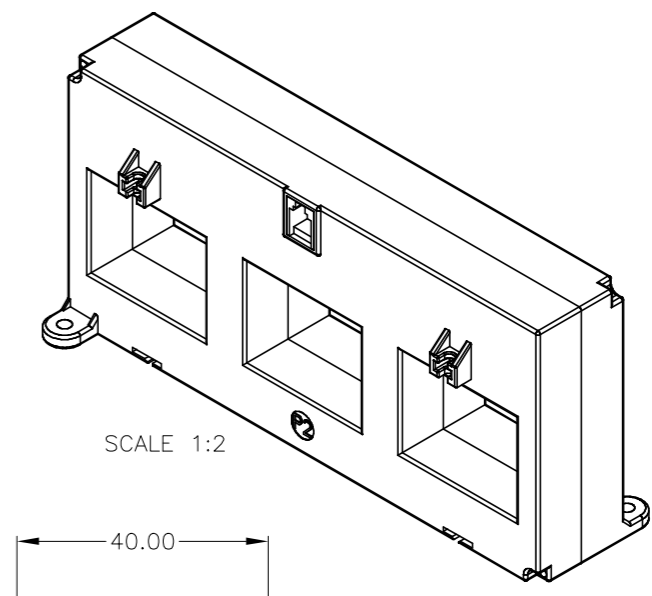
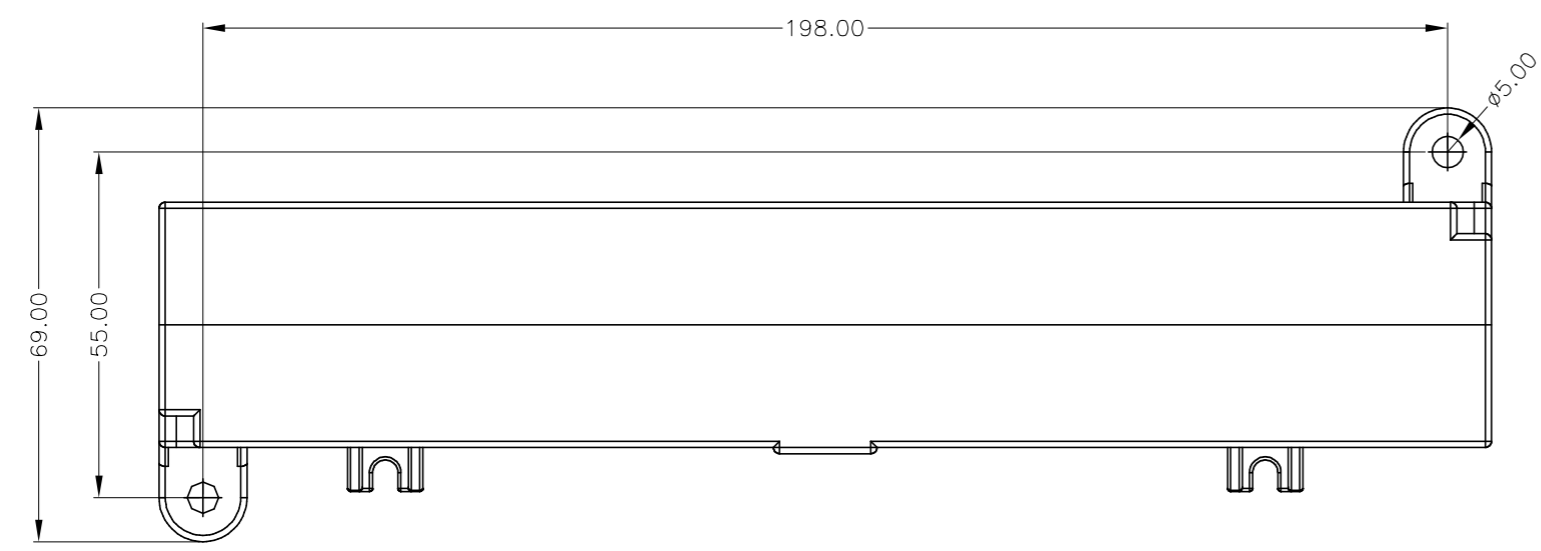
3


2

1

THIS DRAWING IS UNPUBLISHED. RELEASED FOR PUBLICATION
 © COPYRIGHT - TE Connectivity Ltd. ALL RIGHTS RESERVED.

REVISIONS				
P	LTR	DESCRIPTION	DATE	APVD
1		NEW LAYOUT	17FEB2020	SG NJ



THIS DRAWING IS A CONTROLLED DOCUMENT.		DWN 17FEB2020 SANDEEP G	 TE Connectivity	
DIMENSIONS: mm		CHK 17FEB2020 NIGEL JOHNSON		
TOLERANCES UNLESS OTHERWISE SPECIFIED:		APVD 17FEB2020 NIGEL JOHNSON	NAME	
0 PLC ± - 1 PLC ± 0.5 2 PLC ± 0.1 3 PLC ± - 4 PLC ± - ANGLES ± -		PRODUCT SPEC	OUTLINE DRAWING	
MATERIAL		FINISH	3 IN 1 CT	
-		-	DL3N1-70-RJ12	
		WEIGHT	SIZE A3	RESTRICTED TO
		-	CAGE CODE 00779	-
		CUSTOMER DRAWING	DRAWING NO C-CI-3L01102	
			SCALE NTS	SHEET 1 OF 1
				REV 1