

4

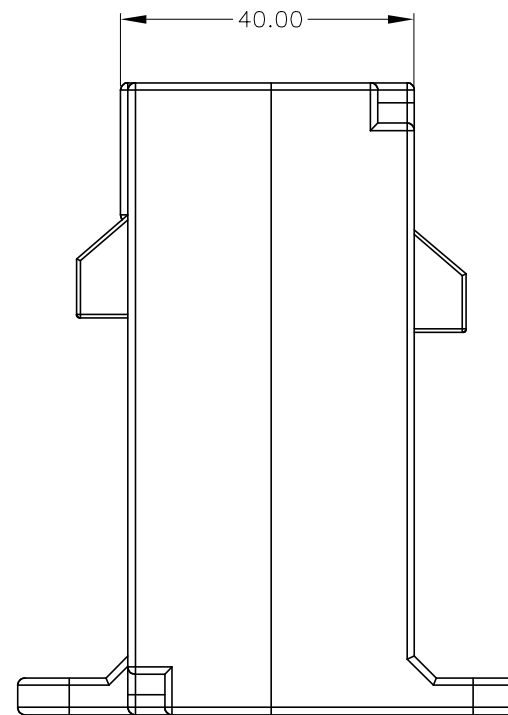
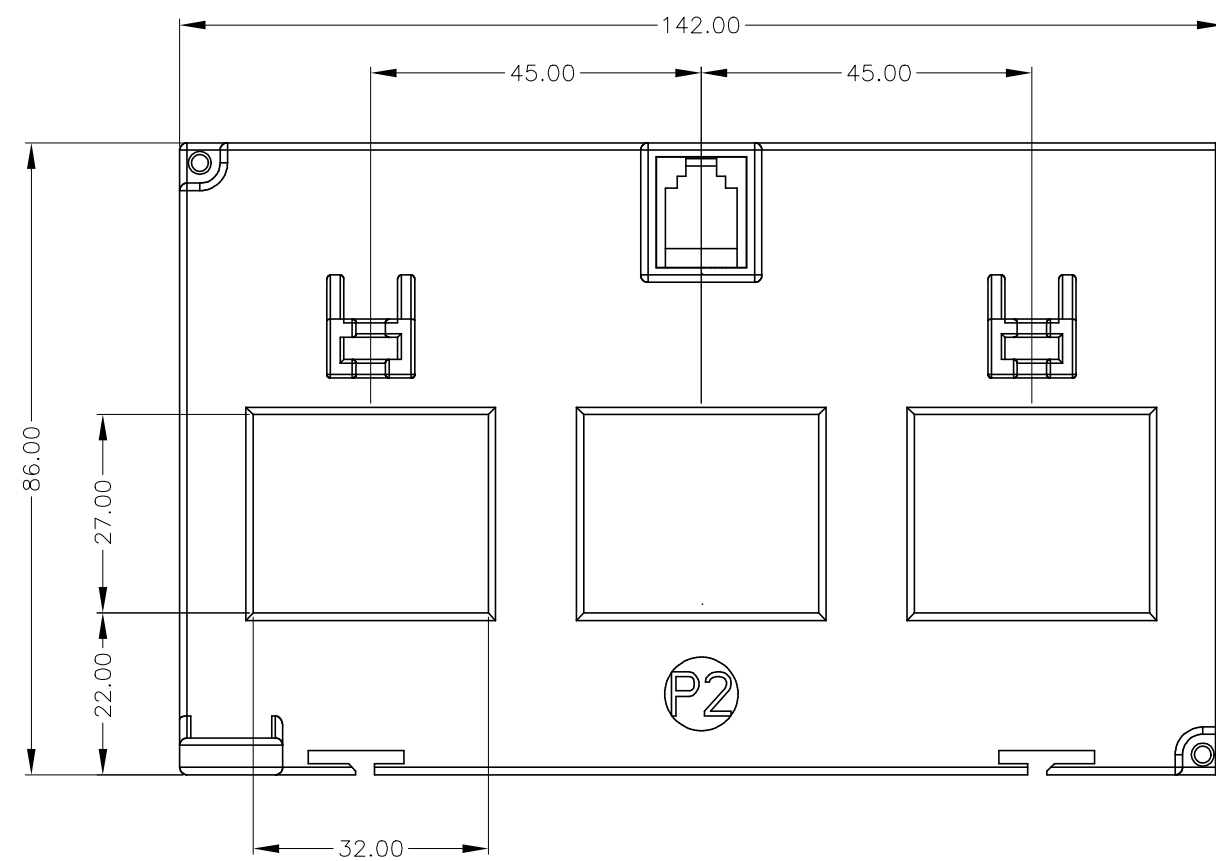
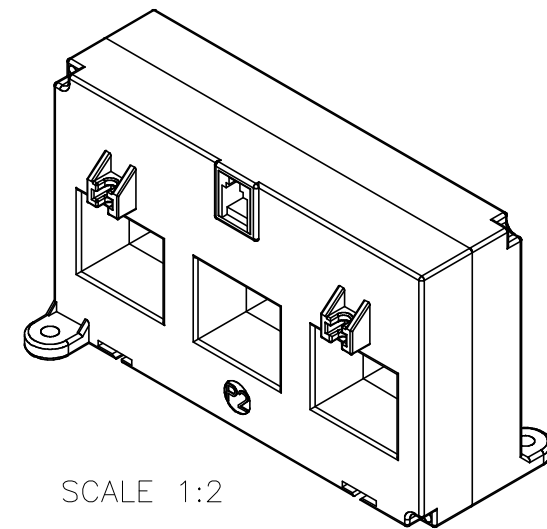
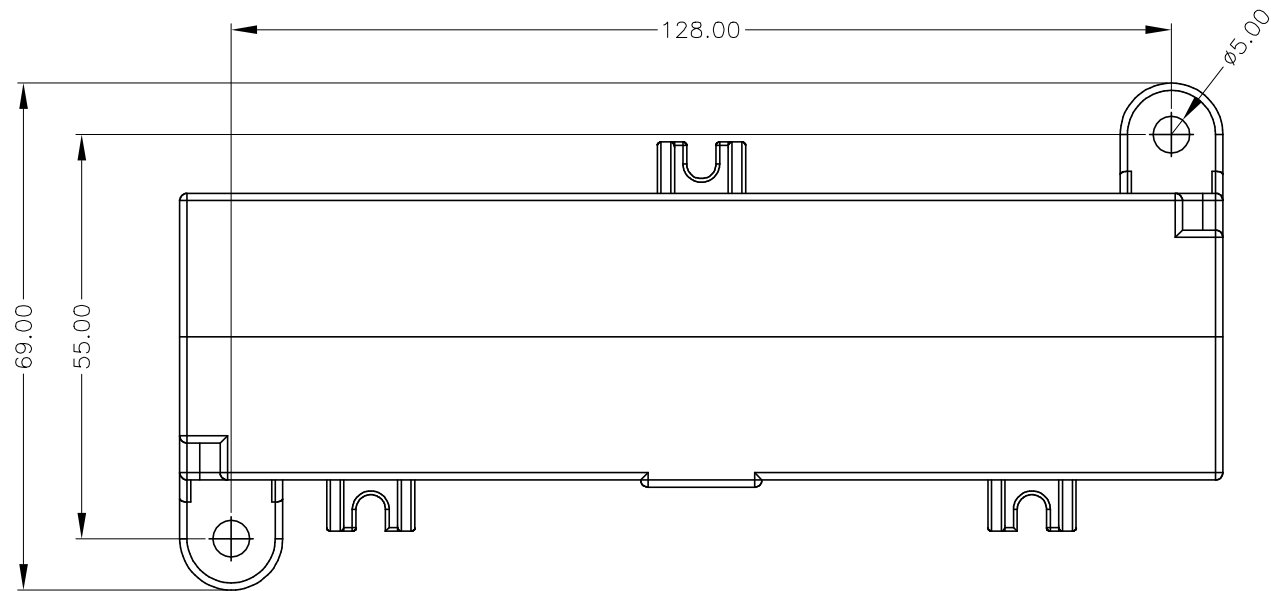
3

2

1

THIS DRAWING IS UNPUBLISHED. RELEASED FOR PUBLICATION
 © COPYRIGHT - TE Connectivity Ltd. ALL RIGHTS RESERVED.

REVISIONS				
P	LTR	DESCRIPTION	DATE	APVD
1		NEW LAYOUT	17FEB2020	SG NJ



THIS DRAWING IS A CONTROLLED DOCUMENT.		DWN	17FEB2020		
		CHK	17FEB2020		
		APVD	17FEB2020		
		PRODUCT SPEC	NIGEL JOHNSON		
DIMENSIONS: mm		TOLERANCES UNLESS OTHERWISE SPECIFIED:			NAME
		0 PLC	± -		OUTLINE DRAWING 3 IN 1 CT DL3N1-45-RJ12
		1 PLC	± 0.5		
		2 PLC	± 0.1		
		3 PLC	± -		
		4 PLC	± -		
MATERIAL		FINISH			RESTRICTED TO
-		-			-
		WEIGHT			SIZE
		-			A3
		CUSTOMER DRAWING			CAGE CODE
					00779
					DRAWING NO
					C-3L01101
					SCALE
					NTS
					SHEET
					1 OF 1
					REV
					1