

4

3

2

1

THIS DRAWING IS UNPUBLISHED.

RELEASED FOR PUBLICATION

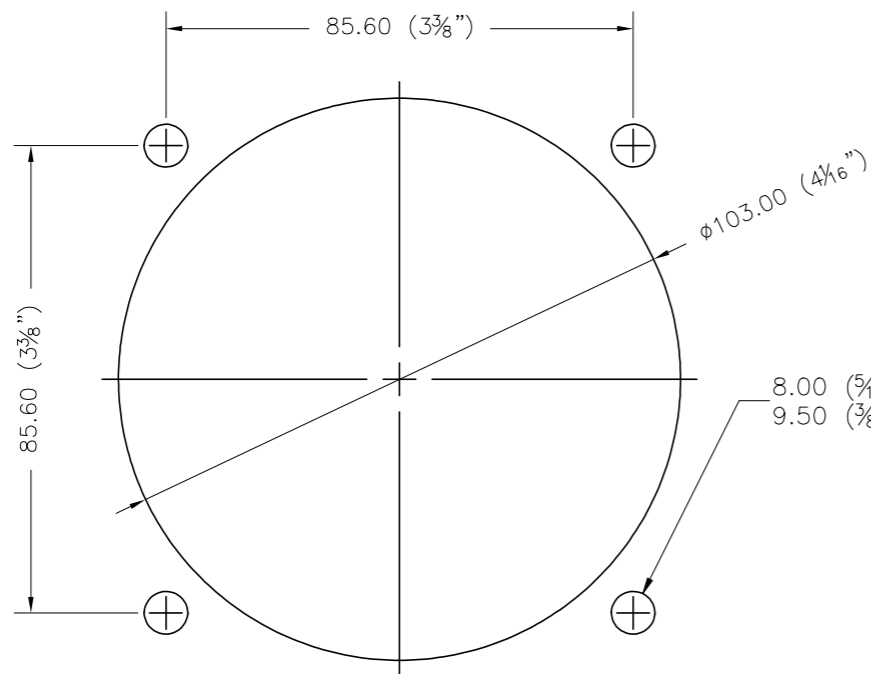
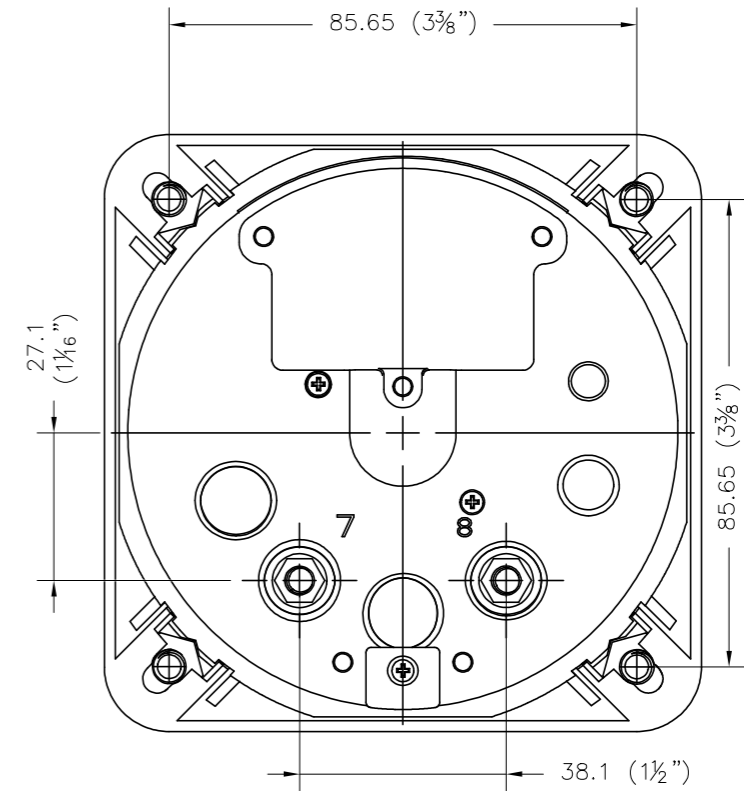
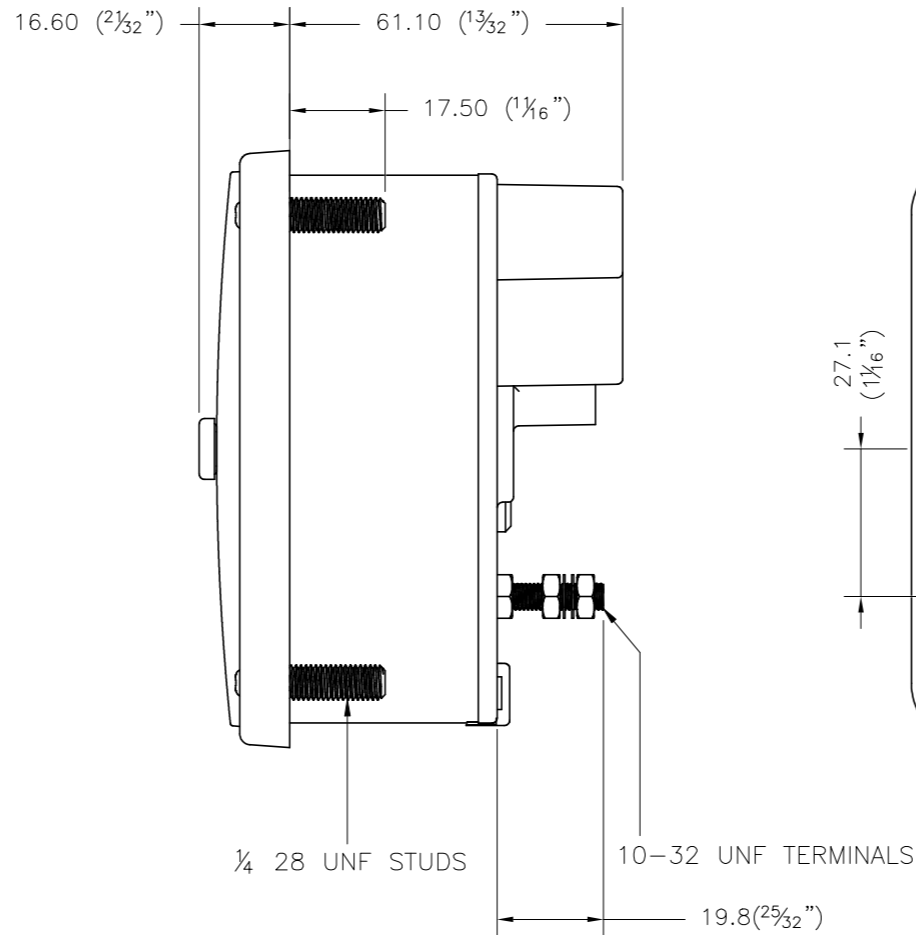
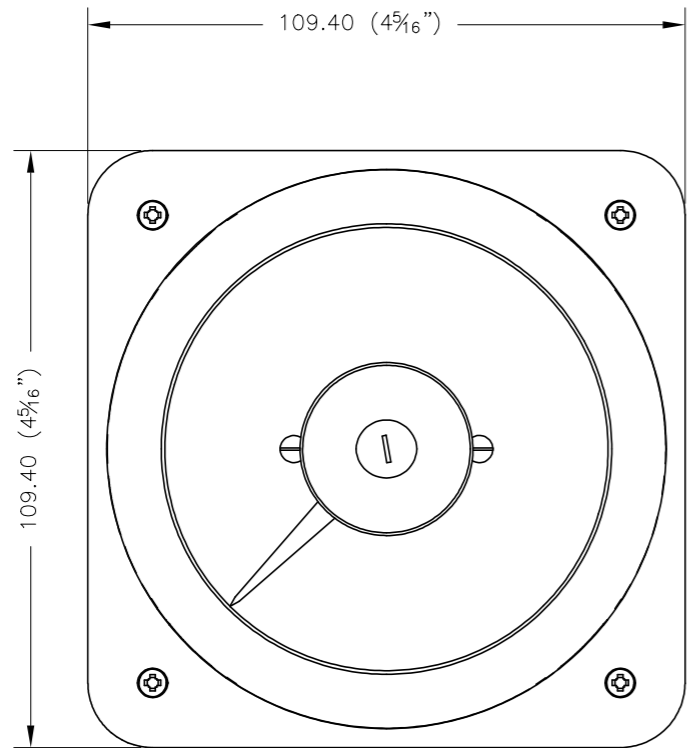
- , -

REVISIONS

© COPYRIGHT - TE Connectivity Ltd.

ALL RIGHTS RESERVED.

P	LTR	DESCRIPTION	DATE	DWN	APVD
1		NEW LAYOUT	07FEB2020	SG	NJ



8.00 (5/16") DIA. FOR PANELS UP TO 8.00 (5/16") THICK
 9.50 (3/8") DIA. FOR PANELS OVER 8.00 (5/16") THICK

THIS DRAWING IS A CONTROLLED DOCUMENT.		DWN	SANDEEP G		07FEB2020												
DIMENSIONS: mm [INCHES]		CHK	NIGEL JOHNSON		07FEB2020												
TOLERANCES UNLESS OTHERWISE SPECIFIED:		APVD	NIGEL JOHNSON		07FEB2020												
<table border="0"> <tr><td>0 PLC</td><td>± -</td></tr> <tr><td>1 PLC</td><td>± 0.5</td></tr> <tr><td>2 PLC</td><td>± 0.1</td></tr> <tr><td>3 PLC</td><td>± -</td></tr> <tr><td>4 PLC</td><td>± -</td></tr> <tr><td>ANGLES</td><td>± -</td></tr> </table>		0 PLC	± -	1 PLC	± 0.5	2 PLC	± 0.1	3 PLC	± -	4 PLC	± -	ANGLES	± -	NAME		007 SERIES, ANALOGUE METER LINE DRAWING	
0 PLC	± -																
1 PLC	± 0.5																
2 PLC	± 0.1																
3 PLC	± -																
4 PLC	± -																
ANGLES	± -																
MATERIAL		APPLICATION SPEC		SIZE	RESTRICTED TO												
FINISH		WEIGHT		A3	-												
-		-		CAGE CODE	DRAWING NO												
-		-		00779	C=CI-3K15201												
-		CUSTOMER DRAWING		SCALE	SHEET												
-		-		NTS	1 OF 1												
-		-		REV	1												