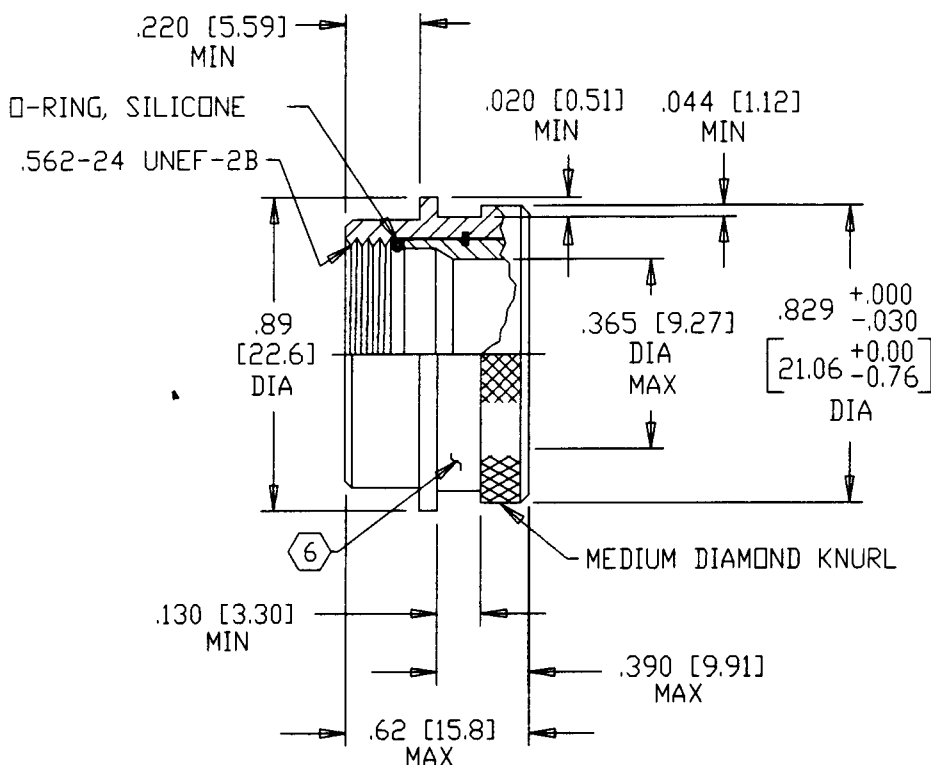


REVISIONS			
LTR	DESCRIPTION	DATE	APPROVED
A	REVISED PER ECN AD93043		



ORDERING INFORMATION:

BASE PART NUMBER CH09-1193-001
 DASH NUMBER _____

NOTES:

1. ALL DIMENSIONS ARE IN INCHES [MILLIMETERS].
2. THIS PRODUCT IS DESIGNED TO TERMINATE A HEAT SHRINKABLE LIPPED BOOT TO A CONNECTOR.
3. MATERIAL: ALUMINUM ALLOY 2011-T3, 2024-T4, OR 6061-T6 PER QQ-A-225/3, /6, OR /8.
4. FINISH: REFER TO S-CH00-0157-002 FINISH DESIGNATOR B.
5. ADAPTER TO BE PERMANENTLY MARKED WITH CODE IDENT. NO. AND PART NO. (E.G.: 06090-CH09-1193-001).
6. KNURL MAY BE SUPPLIED AT MANUFACTURER'S OPTION.
7. ADAPTER MATES TO: MIL-C-26482 SERIES 1, MS3110, MS3111, MS3116, CLASS E & F CONNECTORS.

Raychem

RAYCHEM CORPORATION
 300 CONSTITUTION DRIVE
 MENLO PARK, CALIFORNIA 94025

TITLE

ADAPTER, SOLID
 CODE 21, MODIFIED

SPECIFICATION CONTROL DRAWING

DRAWN BY: R. RAMIREZ	DATE: 03-08-93	SIZE	CODE IDENT. NO.	DWG. NO.	REV
APPRD BY:	DATE:	A	06090	CH09-1193-001	A
DO NOT SCALE THIS DWG				SHEET 1 OF 1	

CADD NAME: \ACAD12\1193-001

15 JUN 1993