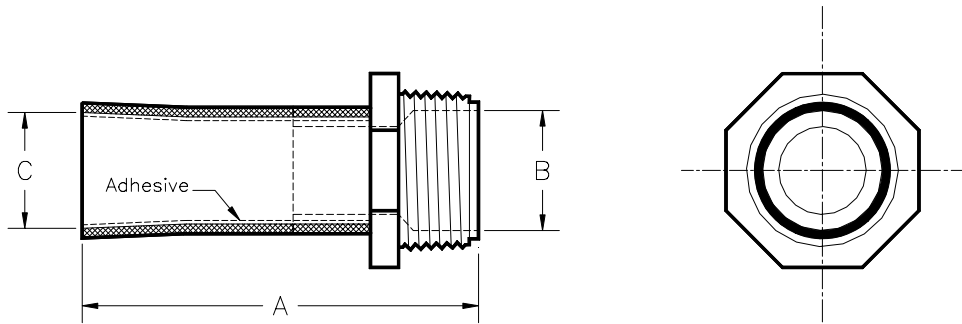


Cable Entry Seals, Single Entry Straight



AS SUPPLIED

Table of Dimensions, inch (mm) :

PART NUMBER	ID, C		ID B, Min.	Overall Length Rec'd A, Min.	NPT Drill Size
	Exp, Min.	Rec'd, Max.			
CES-5-A250	2.75 (70)	1.06 (27)	2.40 (61)	7.00 (178)	2.50 (64)

Note:

“A” indicates recovered length in inches. The tolerance for the overall length shall be considered as minimum length.

Material:

Heat shrinkable boot material in accordance with –3 polyolefin
The nut shall be black nylon

Factory applied sealant:

Hot melt adhesive provided on the shrinkable portion of the boot is standard.

© 2004 Tyco Electronics Corporation. All rights reserved

Specification Control Drawing

tyco <i>Electronics</i>		Tyco Electronics Corporation 300 Constitution Drive, Menlo Park, CA. 94025, U.S.A.		Raychem			TITLE: Cable Entry Seal, Size 5 Single Entry, NPT Threaded						
Unless otherwise specified dimensions are in millimeters. [Inches dimensions are shown in brackets]					DOCUMENT NO.: CES-5-A250								
TOLERANCES: 0.00 N/A 0.0 N/A 0 N/A		ANGLES: N/A ROUGHNESS IN MICRON		Tyco Electronics reserves the right to amend this drawing at any time. Users should evaluate the suitability of the product for their application.			DOC. ISSUE: A		DATE: May 25, 2004				
DRAWN BY: A. Ng		CAGE CODE: 06090					ORG. DATE: 13-May-04		DCR NUMBER: R040438		SCALE: None		SIZE: A

If this document is printed it becomes uncontrolled. Check for the latest revision