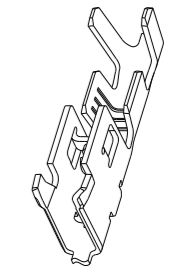
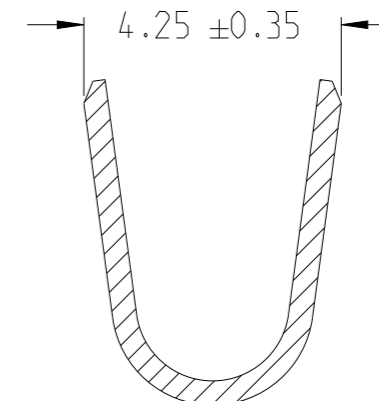
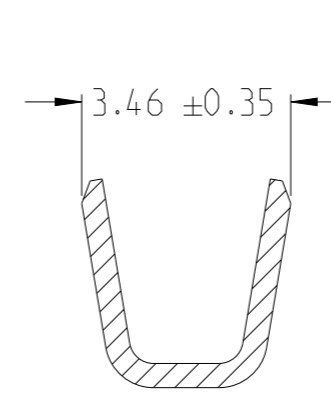
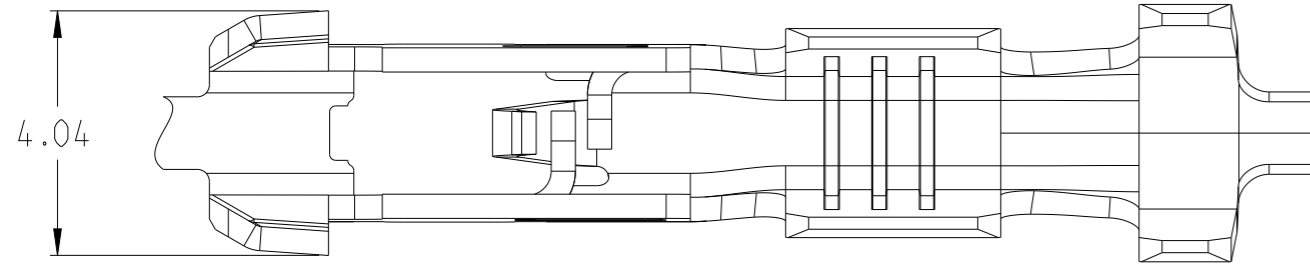


REVISIONS

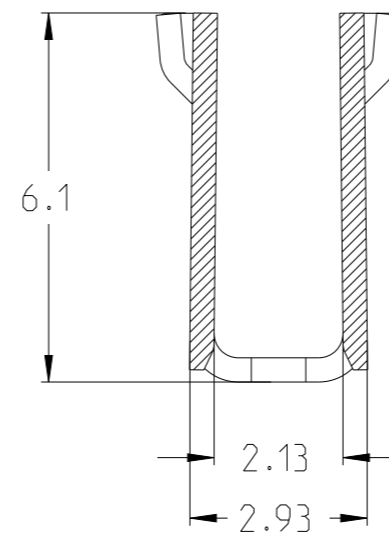
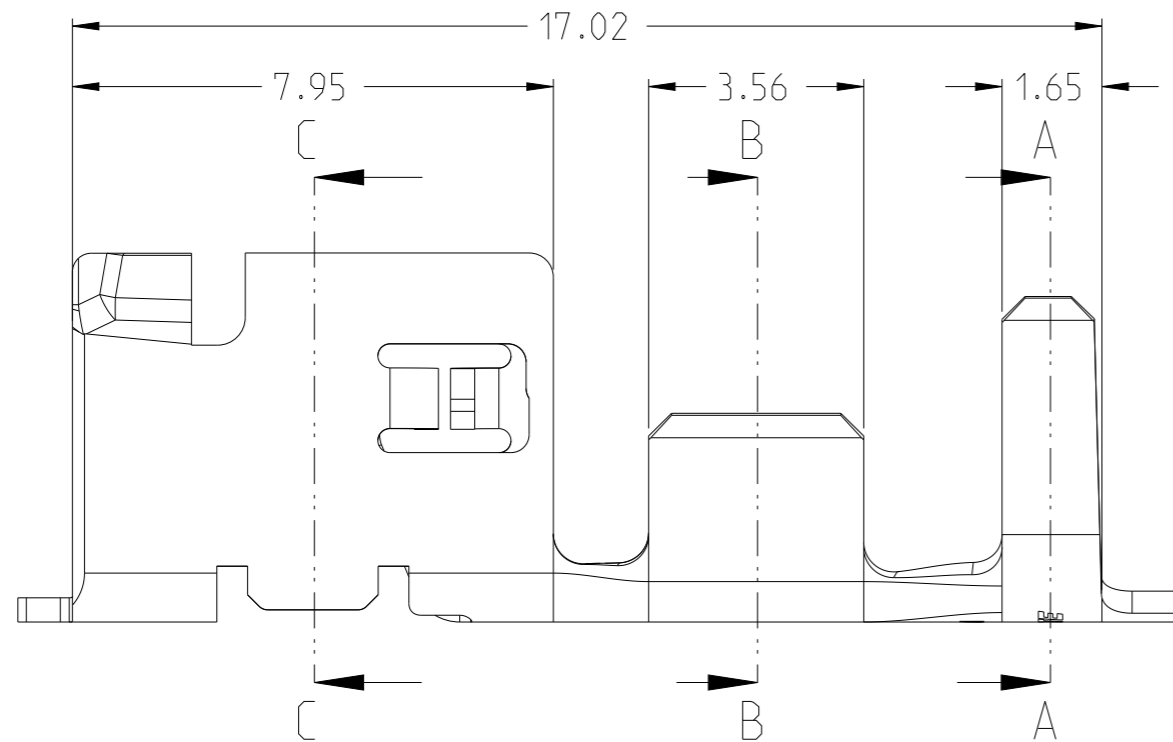
P	LTR	DESCRIPTION	DATE	DWN	APVD
	A	INITIAL RELEASE	31MAY2023	FZ	TD
	A1	REVISED PER ECN-23-222454	20JUL2023	FZ	TD



SCALE 2:1

SECTION B-B
8:1

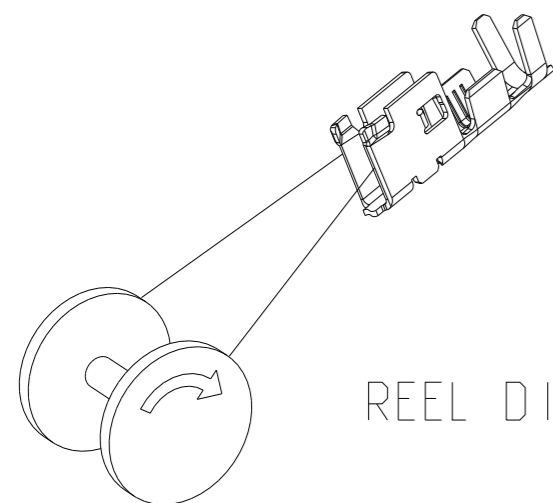
SECTION A-A
8:1



SECTION C-C

NOTES:

1. CONTINUOUS STRIP ON REEL.
2. THE TERMINAL PITCH IS 19MM
3. WIRE RANGE 18AWG TO 14AWG
4. INSULATION DIA 2.4 MM TO 3.65 MM
5. SUITABLE CLUSTER BLOCK HOUSING 2392948-1 AND 2426423-1



REEL DIRECTION

TIN PLATED	TIN BRASS	2392959-2
FINISH	MATERIAL	PART NO

THIS DRAWING IS A CONTROLLED DOCUMENT.

DWN	FELIX.Z	27JUL2021
CHK	JUSTIN.H	27JUL2021
APVD	TIM.D	27JUL2021



DIMENSIONS: mm	TOLERANCES UNLESS OTHERWISE SPECIFIED:
	0 PLC ±0.3
	1 PLC ±0.3
	2 PLC ±0.3
	3 PLC ±
	4 PLC ±
	ANGLES ±
MATERIAL SEE TABLE	FINISH

PRODUCT SPEC	108-2008
APPLICATION SPEC	114-5235
WEIGHT	-
CUSTOMER DRAWING	

NAME		CLUSTER BLOCK RECEPTACLE 2.3 DIA	
SIZE	CAGE CODE	DRAWING NO	RESTRICTED TO
A3	-	©-2392959	-
SCALE		SHEET	REV
5:1		1 OF 1	A1