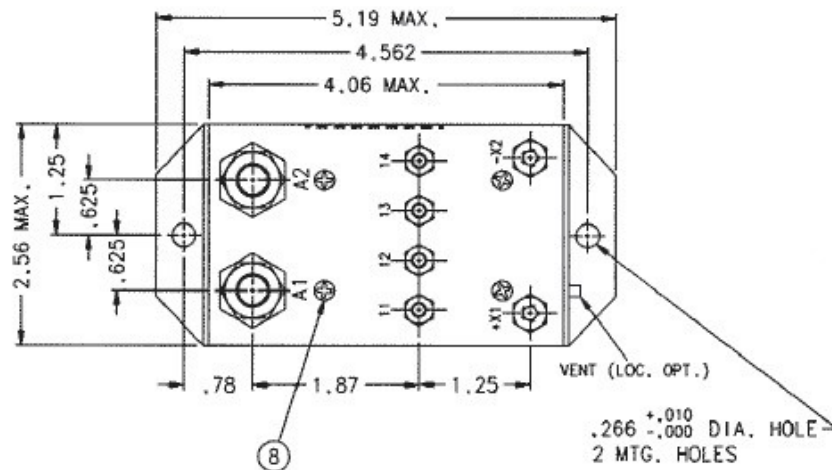


REVISONS		RELEASED	
REV	DESCRIPTION	DATE	APPROVED
J	42408 REDRAWN, REMOVED FIND NOS 9, 10, & 11	00/05/04	RS



CONSTRUCTION
MAIN CONTACTS
 CONFIGURATION
 VOLTAGE (NOMINAL)
 CURRENT:

AUXILIARY CONTACTS
 CONFIGURATION
 VOLTAGE
 CURRENT: RES. SURGE

COIL DATA
 DUTY CYCLE
 NOMINAL VOLTAGE
 PICKUP MAX.
 PULL THROUGH
 DROPOUT VOLTAGE
 RESISTANCE
 SUPPRESSION

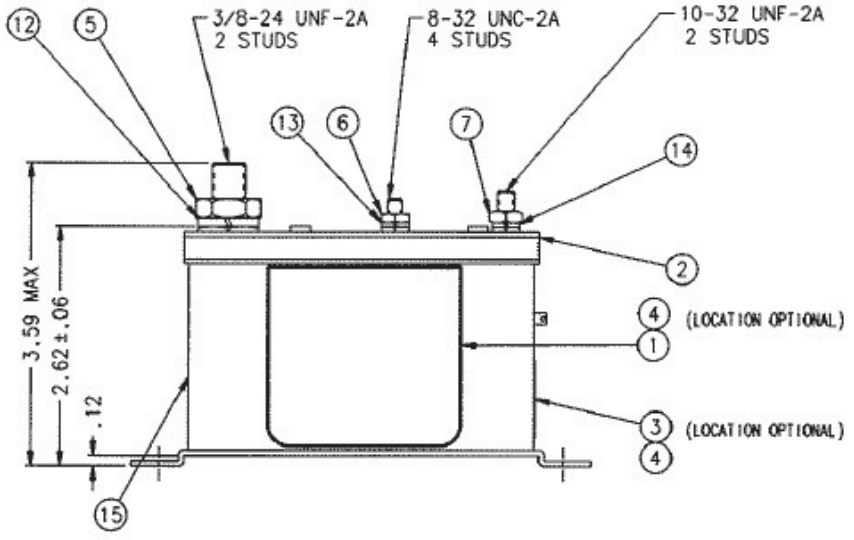
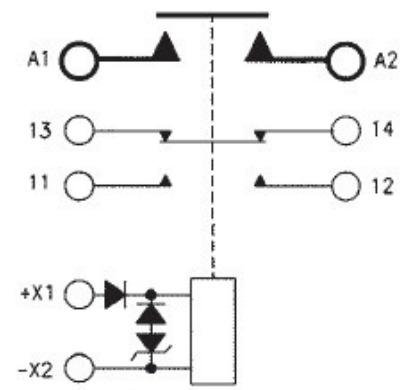
ENVIRONMENTAL DATA
 AMBIENT TEMP.
 LIFE ELECTRICAL
 LIFE MECHANICAL
 WEIGHT MAX.

GASKET SEALED (VENTED)
 SPST N.O.
 28 VDC
 400 AMP.
 1000 AMP FOR 30 SEC.
 1500 AMP INRUSH

OPERATE BEFORE MAINS CLOSE
 FORM Z
 28VDC
 5 AMP, 10 AMP CARRY ONLY
 30 AMP CARRY ONLY FOR 0.1 SEC.

INTERMITTANT
 24-30 VDC
 12 VDC
 6 VDC MAX AT 25°C
 .5-7V
 14 OHM ±20% AT 25°C
 45 V PEAK

-55°C TO +71°C
 50,000 CYCLES MIN.
 100,000 CYCLES
 2 LBS. 2 OZ.



NOTE:
MOUNTING SURFACE SHALL PROVIDE
ELECTRICAL GROUND.

FIND NO	QTY REQD	PART OR IDENTIFYING NO	NOMENCLATURE OR DESCRIPTION	FSCM NO	DRAWING OR SPECIFICATION	MATERIAL OR NOTE
15	1	32687-060	CONTACTOR - ASSEM. -PRIMARY			
14	2	51810-034	WASHER LOCK #10 X.062 X.047 SPL IT			BRONZE
13	4	51808-064	WASHER LOCK #8 X.055 X.040 SPL IT			BRONZE
12	2	51807-084	WASHER LOCK 3/8 X.683 X.094 SPL IT			BRONZE
11						
10						
9						
8	4	51200-020	SCREW #4 X 1/4 SHEETMETAL			S.S.
7	2	50410-084	NUT 10-32 3/8 X 1/8 HEX.			
6	4	50408-034	NUT 8-32 X 5/16 X 3/32 HEX.			BRASS
5	2	50407-164	NUT 3/8-24 X 5/8 X 7/32 HEX.			BRASS
4	2	39529-001	OVERLAY-NAME PLATE			
3	1	17959-001	PLATE - WARNING			
2	1	32552-004	PLATE - BASE COVER			
1	1	16043-031	NAME PLATE			

UNLESS OTHERWISE SPECIFIED
DIMENSIONS ARE IN INCHES
TOLERANCES ON

2 PL DEC.	3 PL DEC.	ANGLES
± .06	± .010	± 1°

HARTMAN ELECTRICAL MANUFACTURING
MANSFIELD, OHIO

CONTACTOR
400 AMP, 28 VOLTS

DR BY	RLS	00/05/04
CHK BY	RS	00/05/04
ENGR	JL	00/05/04
MFG	CC	00/05/04

RELEASE
CONTR NO.
GOVT APPVL

SIZE	CODE IDENT	DWG NO.
C	74063	A-703DB

SCALE NONE SHEET