

Product Facts

- 500 A carry, 1200 A make, 3000 A break @ 270 Vdc
- Bi-directional power switching
- Auxiliary Contacts
- Built-in coil power economizing — 6 W holding
- Versatile power, voltage, and current operating range
- Excellent for safety disconnect and transfer switch applications
- Suited for circuit protection control
- Hermetically-sealed contacts; can operate in harsh environments
- Designed for main generator loads
- Space-rated version built in accordance with customers SCD
- Meets many requirements of MIL-PRF-32085

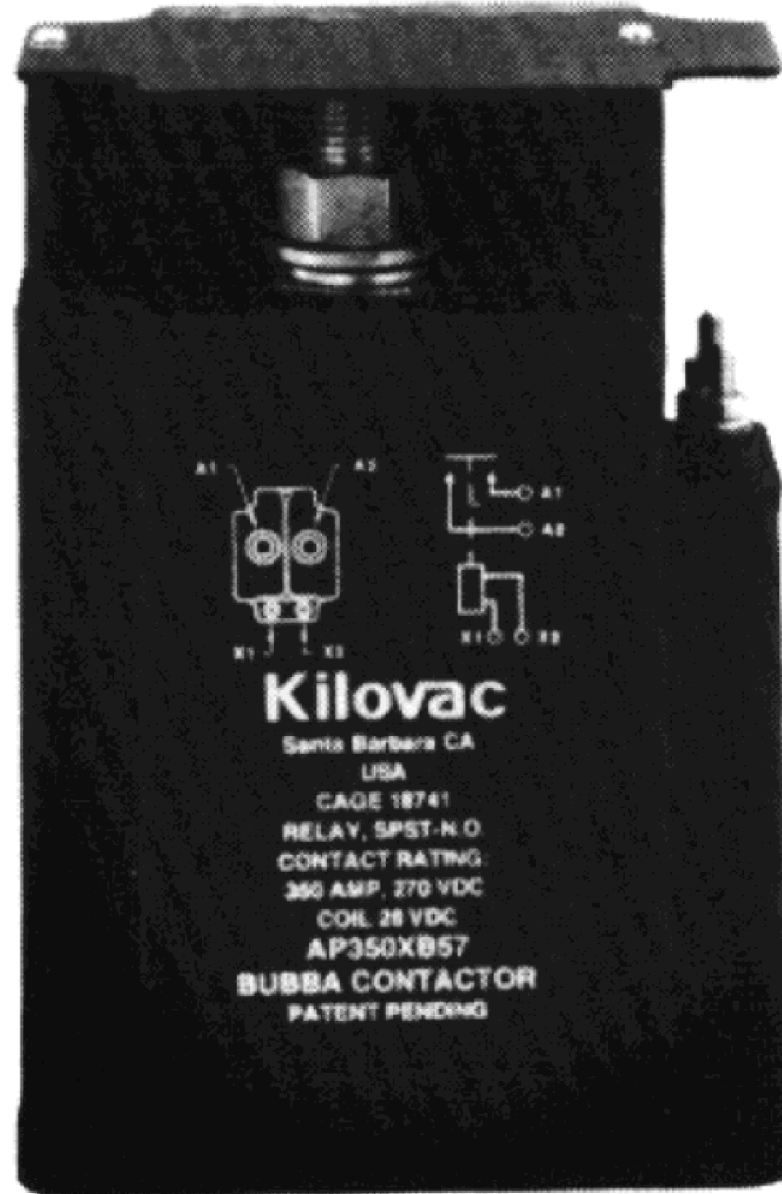
Coil Data

AP350X	
Type Driver	"PWM" Econ.
Voltage, Nominal	28 Vdc
Pickup (Close), Max.	20 Vdc
Dropout (Open), Max.	11 Vdc
Current @ 28 V, 25°C	
Inrush	2.1 A
Holding (Standby)	0.21 A
Inrush Time, Max.	200 ms

For factory-direct application assistance, dial 800-253-4560, ext. 2055, or 805-220-2055.

Product Specifications

- Contact Arrangement with Auxiliary Contact (28 Vdc, 0.1 A) —**
 Form X — SPST-NO
 Form A — SPST-NO
- Rated Resistive Load @ 270 Vdc, 85°C — 350 A**
- Continuous Current Carry, Max., 25°C — 500 A**
- Overload Current @ 270 Vdc, Max. —**
 Make (Closed Into) — 1200 A
 Break (Open) — 3000 A
- Contact Resistance, Max. — 0.2 mohm**
- Dielectric at Sea Level (< 1mA leakage) —**
 Open Power Terminal to Terminal — 2,000 Vrms
 Closed Power Terminals to All Other Points — 2,000 Vrms
- Shock, 11ms, 1/2 Sine (Peak) — 25 g**
- Vibration, Sinusoidal (55-2000 Hz, Peak) — 10 g**
- Operating Ambient Temperature Range — -55°C to +85°C**
- Load Life @ 270 Vdc, Min. —**
 See graph above
- Operate Time @ 25°C —**
Close (Includes Bounce), Typ. — 35 ms
- Bounce (Occurs When Closing), Max. — 5 ms**
- Open (Includes Arcing), Max. — 20 ms**
- Insulation Resistance @ 500 Vdc, Min. —**
 Initial/End of Life — 100 mohm/50 mohm
- Weight, Nominal — 3.35 lb (1.52 kg)**



Ordering Information

Sample Part Number ▶ **AP350 X B 5 7**

Series: _____

Contact Form: _____
 X = SPST-NO Double Make

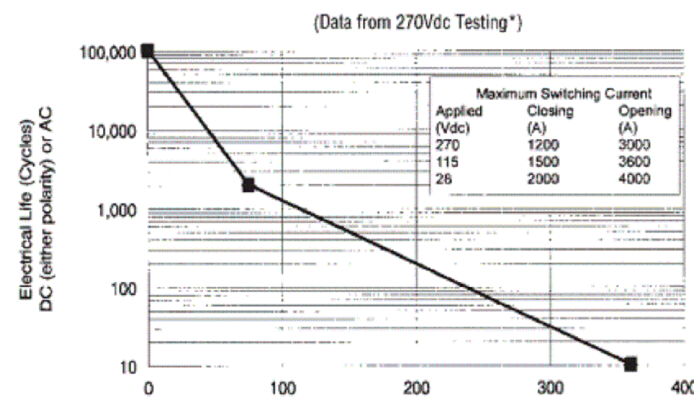
Coil Voltage: _____
 B = 28 Vdc, Stud Terminals

Power Terminals: _____
 5 = Screw Terminals

Mounting: _____
 7 = Panel Mount, captive bolts

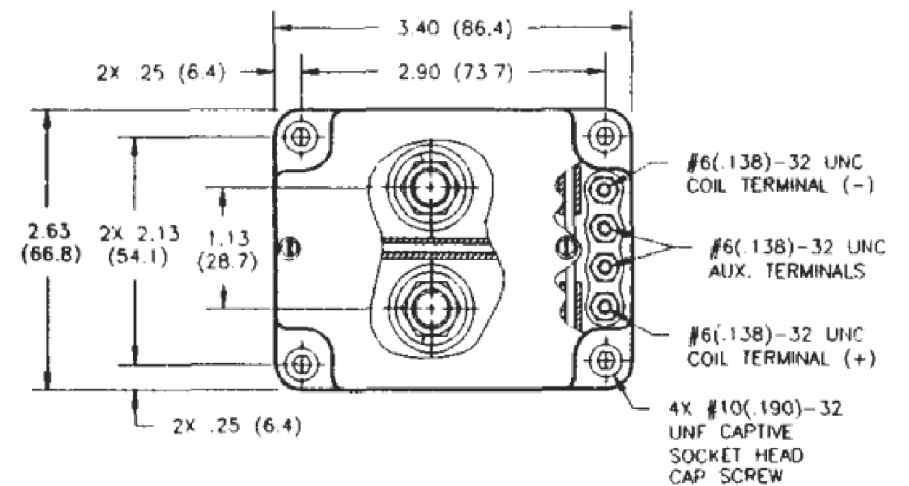
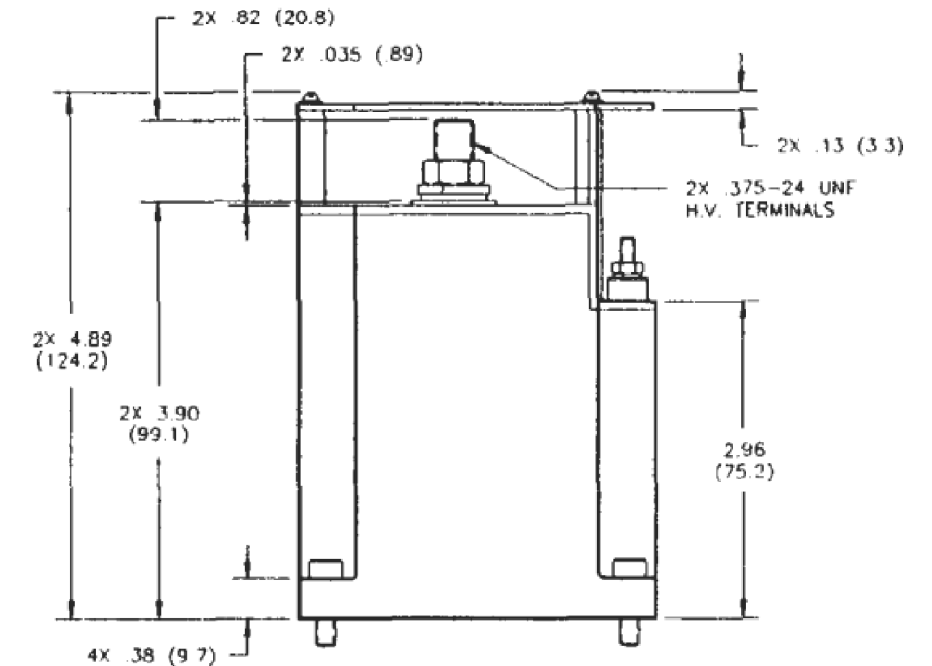
Refer to EV500 Sales Drawing for complete specifications.

Electrical Life Cycles vs Power Switching



REVISIONS

P	LTR	DESCRIPTION	DATE	DWN	APVD
	E	ECO- 13-009988	20JUNE2013	RV	SK



THIS DRAWING IS A CONTROLLED DOCUMENT.		DWN VR 25JUN2020	TE Connectivity	
DIMENSIONS: INCHES		CHK RV 25JUN2020		
TOLERANCES UNLESS OTHERWISE SPECIFIED:		APVD DM 25JUN2020	NAME	
0 PLC ± -		PRODUCT SPEC	AP530X-SERIES	
1 PLC ± -		APPLICATION SPEC	"BUBBA" CONTACTOR 500AMPS	
2 PLC ± -		SIZE	CAGE CODE	DRAWING NO
3 PLC ± -		—	—	—
4 PLC ± -		RESTRICTED TO	—	
ANGLES ± -		WEIGHT	—	
FINISH		A3 — C-AP350X-SERIES		
MATERIAL		CUSTOMER DRAWING		
		SCALE NTS	SHEET 1 OF 1	REV E