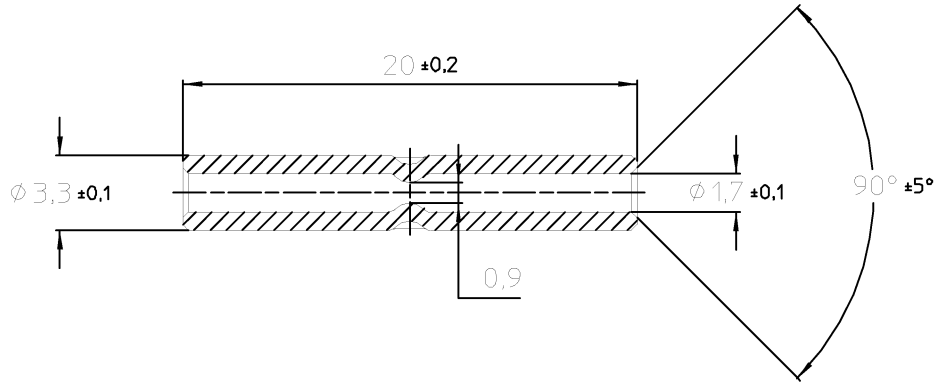


LOC	DIST	REVISIONS				
P	LTR REV	DESCRIPTION MODIFICATIONS	DATE	DWN DESS.	APVD APP.	
	A	CREATION	16-Mai-06	GC	GP	



MARQUAGE: + 15°

PAR 10	XG7T 1.5 JEU DE 10	710982-2
PAR 100	XG7T 1.5	710982-1
QUANTITE	DESCRIPTION	Part Number


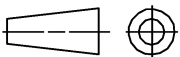
RELEASED FOR PUBLICATION

ALL RIGHTS RESERVED  
Tous droits réservés

BY TYCO ELECTRONICS SIMEL

© COPYRIGHT 19

THIS DRAWING IS UNPUBLISHED.  
DIFFUSION RESTREINTE AMP

DIMENSIONS: mm	DWN /DESSINE CARLHAN	16-Mai-06	MATERIAL MATIERE	CUIVRE /COPPER	FINISH FINITION	ETAME/TINNED
	CHK /VERIFIE BRIANCON	-	 TE Connectivity 21220 Gevrey Chambertin SIMEL FRANCE			
TOLERANCES UNLESS OTHERWISE SPECIFIED PER TOLERANCES NON SPECIFIEES SELON :	APVD /APPROUVE PORCHERAY	-				
	PRODUCT SPEC SPEC. PRODUIT	-	SIZE FORMAT	A4	CAGE CODE	00779
	APPLICATION SPEC SPEC. APPLICATION	-	DRIVING NO No PLAN	© 710982	RESTRICTED TO RESERVE A	-
	WEIGHT MASSE APPROX.	-	CUSTOMER DWG / PLAN CLIENT	UNIQUEMENT POUR REFERENCE	SCALE ECHELLE	3:1
					SHEET FEUILLE	1 OF 1 DE 1
					REV	A