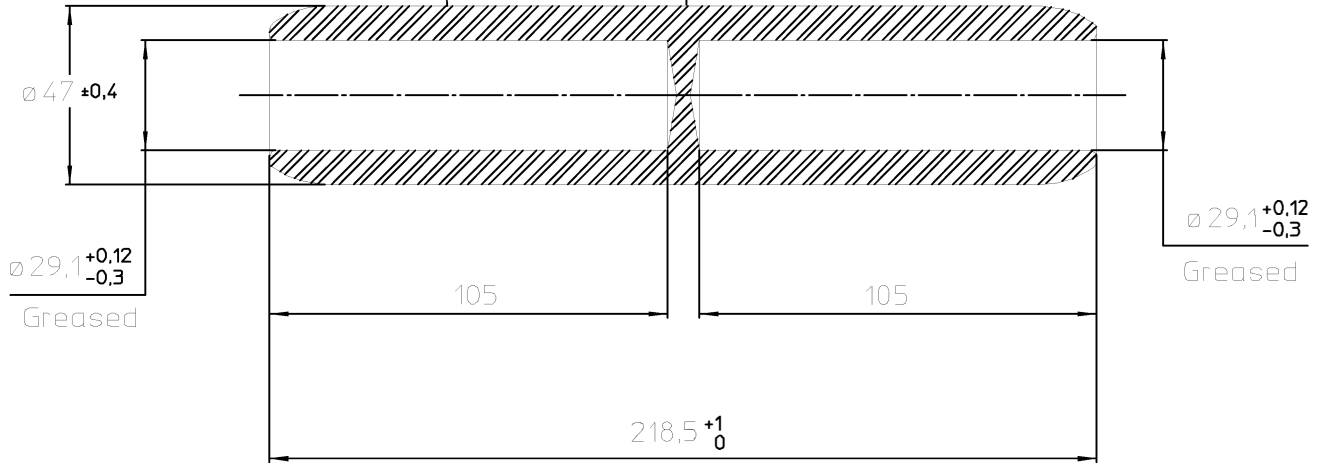


LOC	DIST	REVISIONS				
P	LTR REV	DESCRIPTION MODIFICATIONS	DATE	DWN DESS.	APVD APP.	
	A	creation plan com	16 OCT 06	CA	AG	

MATERIAL: ALUMINIUM

MARKING: XG8BM 500 RJ6A 500
MJ 6E 6E

MARKING: Logo- Date



RELEASED FOR PUBLICATION

ALL RIGHTS RESERVED
Tous droits réservés


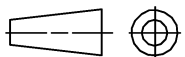
BY TYCO ELECTRONICS SIMEL

© COPYRIGHT 19

THIS DRAWING IS UNPUBLISHED.
DIFFUSION RESEINTE AMP

709340-1

Part Number

DIMENSIONS: mm	DWN /DESSINE ANDRE	MATERIAL MATIERE	FINISH FINITION
	CHK /VERIFIE MAINER	 TE Connectivity 21220 Gevrey Chambertin SIMEL FRANCE	
TOLERANCES UNLESS OTHERWISE SPECIFIED PER TOLERANCES NON SPECIFIEES SELON :	APVD /APPROUVE PORCHERAY	NAME TITRE	XG8BM 500 RJ6A 500
	PRODUCT SPEC SPEC. PRODUIT	SIZE FORMAT	CAGE CODE
APPLICATION SPEC SPEC. APPLICATION	WEIGHT MASSE APPROX.	A4	00779
	CUSTOMER DWG / PLAN CLIENT	UNIQUEMENT POUR REFERENCE	DRAWING NO No PLAN © 709340
		SCALE EHELLE 1:1	RESTRICTED TO RESERVE A
		SHEET FEUILLE 1 OF 1 DE 1	REV A