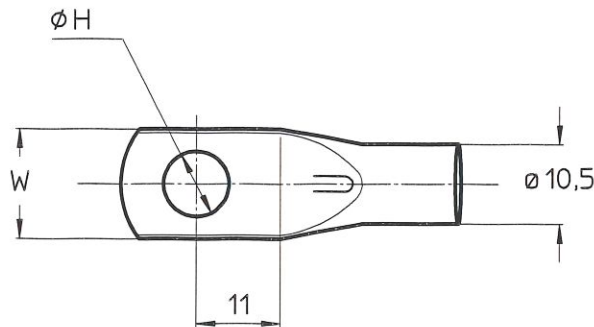
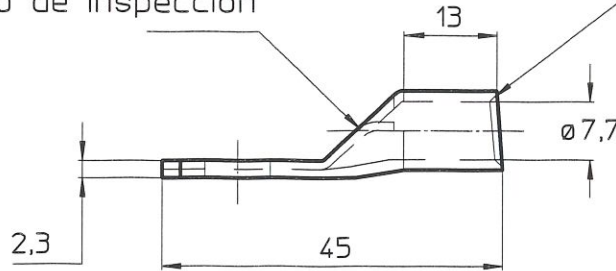


LOC	DIST	REVISIONS					
		P	LTR REV	DESCRIPTION MODIFICATIONS	DATE	DWN DESS.	APVD APPR
FH	00		B	MODIFICATION TABLEAU	01-Avr-08	FM	GP

Trou d'inspection
 Inspection hole
 Agujero de inspeccion

Chanfrein interieur
 Chamfer inside
 Chaflan



SECTION AWG	(mm ²)	Symbole SNCF	P.N	REFERENCE	DIMENSIONS(mm)	
					ØH	W
3	25	7.847.5853	0707870-1	CTN 25-5	5,6	17,3
		7.847.5854	0707870-2	CTN 25-6	6,6	17,3
		7.847.5855	0707870-3	CTN 25-8	8,6	17,3
		7.847.4147	0707870-4	CTN 25-10	10,8	18
		7.847.7221	0707870-5	CTN 25-12	13	18

Matière/material/materia : Cuivre étamé/Tinned copper/Estanado de cobre
 Marquage/marking/marcas : Logo,section,Ø bornage

RELEASED FOR PUBLICATION
 ALL RIGHTS RESERVED.
 TOUS DROITS RESERVES
 BY TYCO ELECTRONICS CORPORATION
 COPYRIGHT 2007
 THIS DRAWING IS UNPUBLISHED.
 DIFFUSION RESTREINTE

DIMENSIONS: mm	DWN /DESSINE MOIROUD 01-Avr-08	MATERIAL MATIERE -	FINISH FINITION -
	CHK /VERIFIE MAINIER -	SIMEL PRODUCTS	
TOLERANCES UNLESS OTHERWISE SPECIFIED PER TOLERANCES NON SPECIFIEES SELON :	APVD /APPROUVE PORCHERAY <i>PO</i> <i>ADN</i> -		
	PRODUCT SPEC SPEC. PRODUIT -	APPLICATION SPEC SPEC. APPLICATION -	SIZE FORMAT A4
	APPROX. WEIGHT MASSE APPROX. -	DRAWING NO No PLAN © = 707870	RESTRICTED TO RESERVE A -
	CUSTOMER DWG / PLAN CLIENT	UNIQUEMENT POUR REFERENCE	SCALE Echelle 1:1
			REV B