

Copying of the document and giving it to other and the use or communication of the contents thereof, are forbidden without express authority. Offenders are liable to the payment of damages. All rights are reserved in the event of the grant of a patent or the registration of a utility model or design.

1 2 3 4

A

A

B

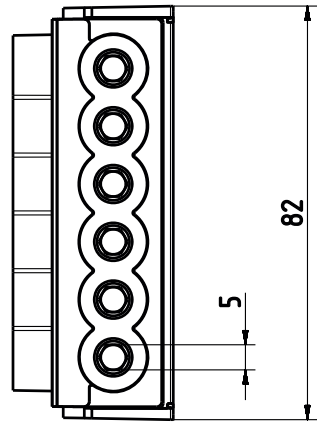
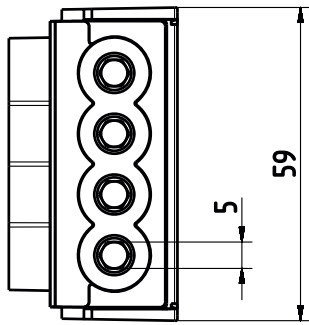
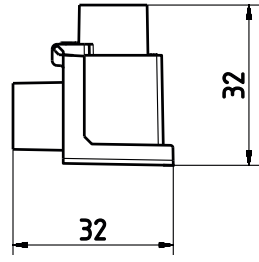
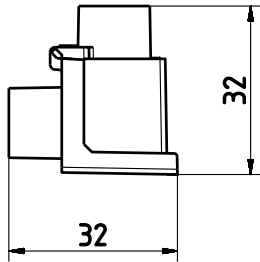
B

C

C


D

D



GURO-BC4
4-pole

GURO-BC6
6-pole

Customer Drawing										
				2020	DATE	NAME	GURO-BCx			
				DRAWN	21.01.	Valerius				
				CHECKED						
				 Tyco Electronics Raychem GmbH Werk Berlin			NAMING:			
							CD-473-BCX			
REV.	MODIFICATION	DATE	N.	CAD NO.: CD-473-BCX.cdr			DRAWING NO.:			
1				2			3			
							REPLACEMENT FOR:			
				4			4			