

P	LTR	DESCRIPTION	DATE	DWN	APVD
	A	INITIAL DRAWING	22SEP2020	VR	MB

**Contact Load Ratings:**

High level (relay case grounded):

Resistive: 2 amperes at 28 V dc.

0.3 ampere at 115 V ac, 60 to 400 Hz.

Inductive: 0.75 ampere at 28 V dc, 200 millihenries

Lamp: 0.1 ampere at 28 V dc.

Low level: 10 to 50  $\mu$ A at 10 to 50 mV dc or peak ac

**Dielectric:**

Between case, frame or enclosure, and all contacts both in the energized and deenergized positions: -----  
 Between case, frame or enclosure and coil: -----  
 Between all contacts and coil: -----  
 Between open contacts in the energized and deenergized positions: -----  
 Between contact poles: -----

Sea level V rms (60 Hz)	Altitude V rms (60 Hz)
1,000	350
500	All terminals to case
1,000	
500	
1,000	

**Contact Resistance:**

Before: 0.05 ohm

During: 10 percent of open circuit voltage maximum.

After: 0.1 ohm

Life: 100,000 operations

Operate Time:15 ms

Release Time:10 ms

Contact Bounce: 2ms

Insulation Resistance: 1,000 megohms minimum

Vibration: 10 to 2000Hz, 15G's

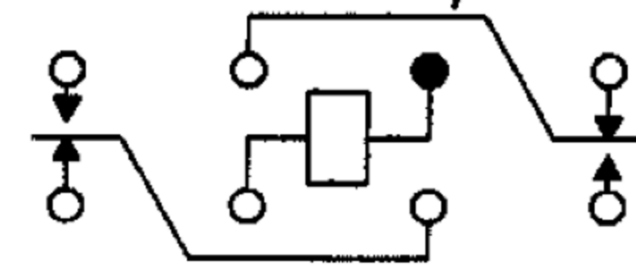
Shock: 100G's, 6 ms

Temperature: 65C to +125C

Weight: 1.1 ounces max

**SCHEMATIC**

BLUE BEAD



**TERMINAL VIEW**

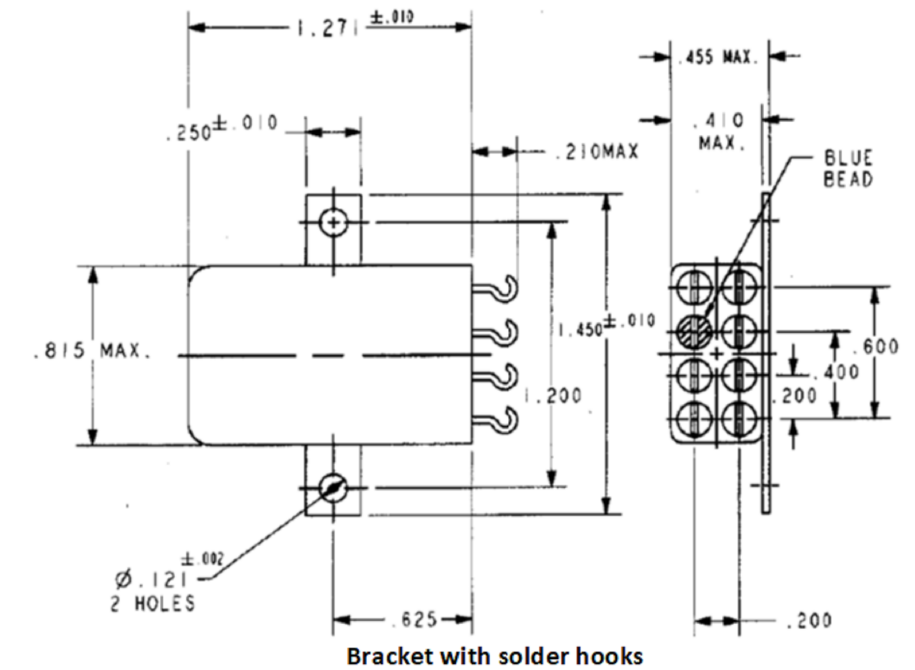
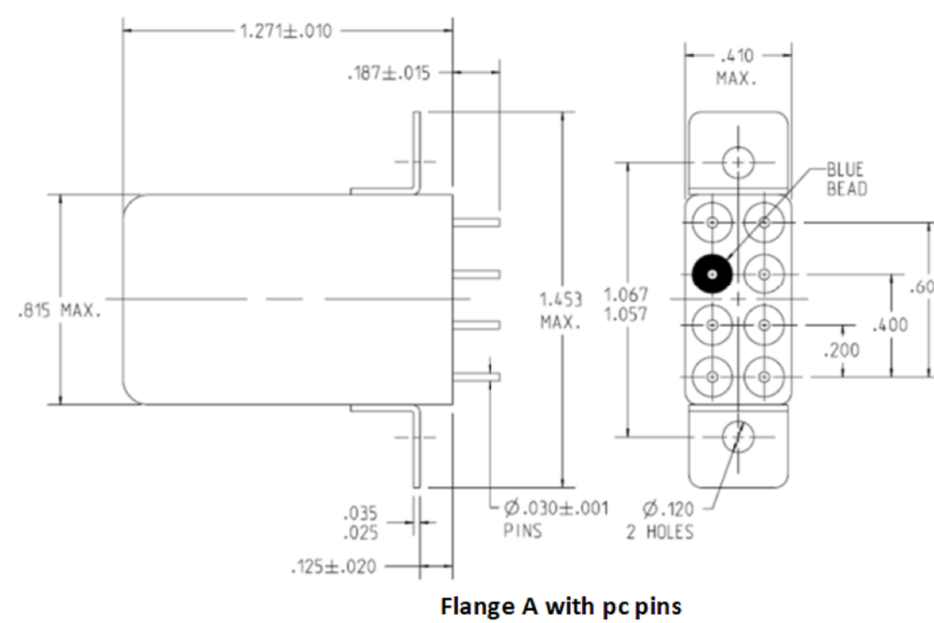
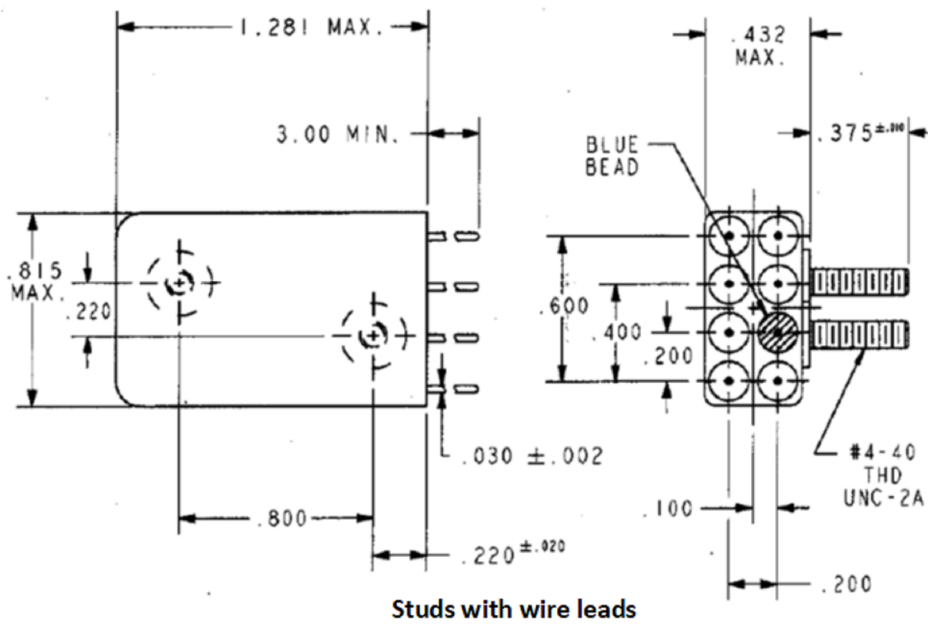
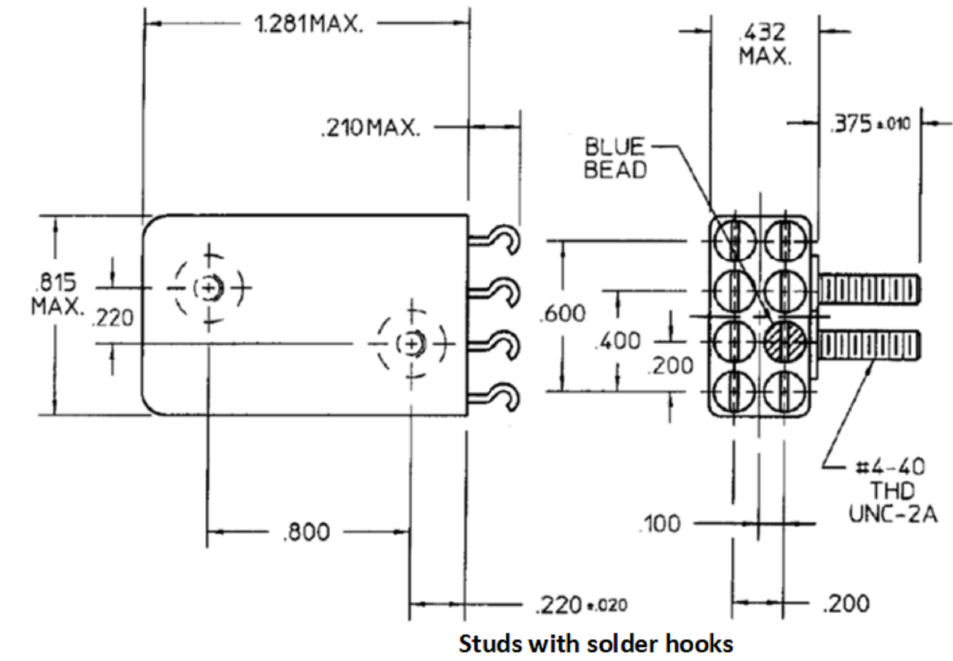
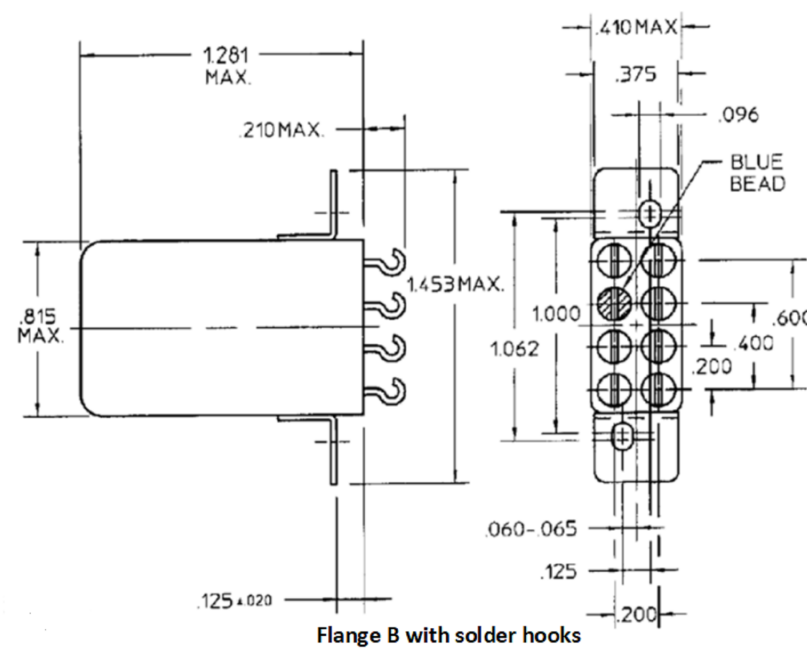
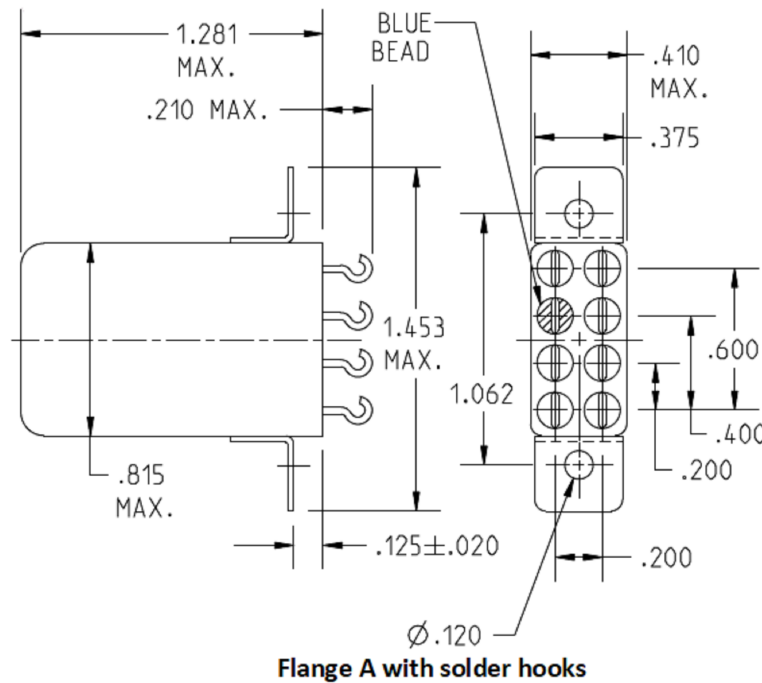
DC coil resistance ( $\pm 10\%$ ) 25°C (ohms)	Nominal coil Current (mA)	Pick up current Max (mA)	Drop out current Max (mA)	Drop out current Min (mA)
20	90.0	45.0	22.5	4.5
100	40.0	20.0	10.0	2.0
200	28.4	14.2	10.0	1.4
500	18.0	9.0	4.5	0.9
1,000	13.0	6.5	3.1	0.7
1,500	11.0	5.2	2.6	0.5
2,000	9.0	4.5	2.2	0.5
2,500	8.0	4.0	2.0	0.4
5,000	6.0	2.8	1.4	0.3
8,000	5.0	2.3	1.1	0.2
10,000	4.0	2.0	1.0	0.2


THIS DRAWING IS A CONTROLLED DOCUMENT.		DWN VR	22SEP2020	<b>TE</b> TE Connectivity	
DIMENSIONS: INCHES		CHK SR	22SEP2020		
TOLERANCES UNLESS OTHERWISE SPECIFIED:		APVD MB	22SEP2020	NAME 3SAT-SERIES	
THIRD ANGLE PROJECTION		PRODUCT SPEC		-	
MATERIAL		APPLICATION SPEC		-	
FINISH		WEIGHT	-	SIZE A3	CAGE CODE -
		CUSTOMER DRAWING		DRAWING NO C-3SAT-SERIES	RESTRICTED TO -
		SCALE NTS	SHEET 1 OF 3	REV A	

# Terminals Mounting Styles

## REVISIONS

P	LTR	DESCRIPTION	DATE	DWN	APVD
	A	INITIAL DRAWING	22SEP2020	VR	MB




THIS DRAWING IS A CONTROLLED DOCUMENT.		DWN	22SEP2020	 TE Connectivity	
		CHK	22SEP2020		
		APVD	22SEP2020		
		PRODUCT SPEC			
DIMENSIONS: INCHES		TOLERANCES UNLESS OTHERWISE SPECIFIED:		NAME	
THIRD ANGLE PROJECTION		0 PLC ± - 1 PLC ± - 2 PLC ± - 3 PLC ± - 4 PLC ANGLES ± -		3SAT-SERIES	
MATERIAL		FINISH		SIZE A3	
				CAGE CODE -	
				DRAWING NO C-3SAT-SERIES	
				RESTRICTED TO	
				-	
				SCALE NTS	
				SHEET 2 OF 3	
				REV A	
				CUSTOMER DRAWING	

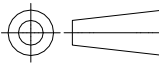
# 3SAT QPL Relay PN Chart

P	LTR	DESCRIPTION	DATE	DWN	APVD
	A	INITIAL DRAWING	22SEP2020	VR	MB

Milspec	PartNumber	Mil Spec-Enclosure	Mil Spec-Terminals	Mil Spec-Coil Resistance	Mil Spec-Coil Current
M5757/13-083	3SAT1300A2	flange A	solder hooks	20	90.0mA
M5757/13-084	3SAT1301A2	flange A	solder hooks	100	40.0mA
M5757/13-085	3SAT1302A2	flange A	solder hooks	500	18.0mA
M5757/13-086	3SAT1303A2	flange A	solder hooks	1000	13.0mA
M5757/13-087	3SAT1304A2	flange A	solder hooks	1500	11.0mA
M5757/13-088	3SAT1305A2	flange A	solder hooks	2000	9.0mA
M5757/13-089	3SAT1306A2	flange A	solder hooks	2500	8.0mA
M5757/13-090	3SAT1307A2	flange A	solder hooks	5000	6.0mA
M5757/13-091	3SAT1308A2	flange A	solder hooks	8000	5.0mA
M5757/13-092	3SAT1309A2	flange A	solder hooks	10000	4.0mA
M5757/13-093	3SAT1310A2	flange A	pc pins	20	90.0mA
M5757/13-094	3SAT1311A2	flange A	pc pins	100	40.0mA
M5757/13-095	3SAT1312A2	flange A	pc pins	200	28.4mA
M5757/13-096	3SAT1313A2	flange A	pc pins	500	18.0mA
M5757/13-097	3SAT1314A2	flange A	pc pins	1000	13.0mA
M5757/13-098	3SAT1315A2	flange A	pc pins	1500	11.0mA
M5757/13-099	3SAT1316A2	flange A	pc pins	2000	9.0mA
M5757/13-100	3SAT1317A2	flange A	pc pins	2500	8.0mA
M5757/13-101	3SAT1318A2	flange A	pc pins	5000	6.0mA
M5757/13-102	3SAT1319A2	flange A	pc pins	8000	5.0mA
M5757/13-103	3SAT1320A2	flange A	pc pins	10000	4.0mA
M5757/13-104	3SAT1321A2	flange B	solder hooks	20	90.0mA
M5757/13-105	3SAT1322A2	flange B	solder hooks	100	40.0mA
M5757/13-106	3SAT1323A2	flange B	solder hooks	500	18.0mA
M5757/13-107	3SAT1324A2	flange B	solder hooks	1000	13.0mA
M5757/13-108	3SAT1325A2	flange B	solder hooks	1500	11.0mA
M5757/13-109	3SAT1326A2	flange B	solder hooks	2000	9.0mA
M5757/13-110	3SAT1327A2	flange B	solder hooks	2500	8.0mA
M5757/13-111	3SAT1328A2	flange B	solder hooks	5000	6.0mA
M5757/13-112	3SAT1329A2	flange B	solder hooks	8000	5.0mA
M5757/13-113	3SAT1330A2	flange B	solder hooks	10000	4.0mA
M5757/13-114	3SAT1331A2	studs	solder hooks	20	90.0mA
M5757/13-115	3SAT1332A2	studs	solder hooks	100	40.0mA
M5757/13-116	3SAT1333A2	studs	solder hooks	500	18.0mA
M5757/13-117	3SAT1334A2	studs	solder hooks	1000	13.0mA
M5757/13-118	3SAT1335A2	studs	solder hooks	1500	11.0mA
M5757/13-119	3SAT1336A2	studs	solder hooks	2000	9.0mA
M5757/13-120	3SAT1337A2	studs	solder hooks	2500	8.0mA
M5757/13-121	3SAT1338A2	studs	solder hooks	5000	6.0mA
M5757/13-122	3SAT1339A2	studs	solder hooks	8000	5.0mA
M5757/13-123	3SAT1340A2	studs	solder hooks	10000	4.0mA
M5757/13-124	3SAT1341A2	studs	wire leads	20	90.0mA
M5757/13-125	3SAT1342A2	studs	wire leads	100	40.0mA

Milspec	PartNumber	Mil Spec-Enclosure	Mil Spec-Terminals	Mil Spec-Coil Resistance	Mil Spec-Coil Current
M5757/13-126	3SAT1343A2	studs	wire leads	500	18.0mA
M5757/13-127	3SAT1344A2	studs	wire leads	1000	13.0mA
M5757/13-128	3SAT1345A2	studs	wire leads	1500	11.0mA
M5757/13-129	3SAT1346A2	studs	wire leads	2000	9.0mA
M5757/13-130	3SAT1347A2	studs	wire leads	2500	8.0mA
M5757/13-131	3SAT1348A2	studs	wire leads	5000	6.0mA
M5757/13-132	3SAT1349A2	studs	wire leads	8000	5.0mA
M5757/13-133	3SAT1350A2	studs	wire leads	10000	4.0mA
M5757/13-134	3SAT1351A2	bracket	solder hooks	20	90.0mA
M5757/13-135	3SAT1352A2	bracket	solder hooks	100	40.0mA
M5757/13-136	3SAT1353A2	bracket	solder hooks	500	18.0mA
M5757/13-137	3SAT1354A2	bracket	solder hooks	1000	13.0mA
M5757/13-138	3SAT1355A2	bracket	solder hooks	1500	11.0mA
M5757/13-139	3SAT1356A2	bracket	solder hooks	2000	9.0mA
M5757/13-140	3SAT1357A2	bracket	solder hooks	2500	8.0mA
M5757/13-141	3SAT1358A2	bracket	solder hooks	5000	6.0mA
M5757/13-142	3SAT1359A2	bracket	solder hooks	8000	5.0mA
M5757/13-143	3SAT1360A2	bracket	solder hooks	10000	4.0mA

THIS DRAWING IS A CONTROLLED DOCUMENT.		DWN VR	22SEP2020	 TE Connectivity	
		CHK SR	22SEP2020		
		APVD MB	22SEP2020	NAME	
		PRODUCT SPEC		3SAT-SERIES	
		APPLICATION SPEC		-	
		WEIGHT		-	
		SIZE	CAGE CODE	DRAWING NO	RESTRICTED TO
		A3	-	C=3SAT-SERIES	-
		CUSTOMER DRAWING		SCALE	SHEET
				NTS	3 OF 3
				REV	A

DIMENSIONS: INCHES	TOLERANCES UNLESS OTHERWISE SPECIFIED:
THIRD ANGLE PROJECTION 	0 PLC ± -
	1 PLC ± -
	2 PLC ± -
	3 PLC ± -
	4 PLC ± -
	ANGLES ± -