

Copying of the document and giving it to other and the use or communication of the contents thereof, are forbidden without express authority. Offenders are liable to the payment of damages. All rights are reserved in the event of the grant of a patent or the registration of a utility model or design.

1 2 3 4

A

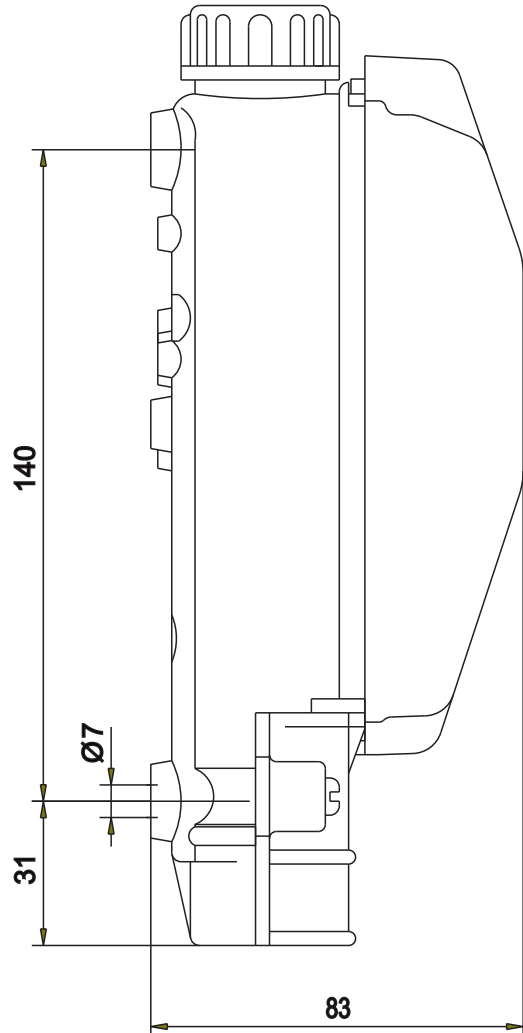
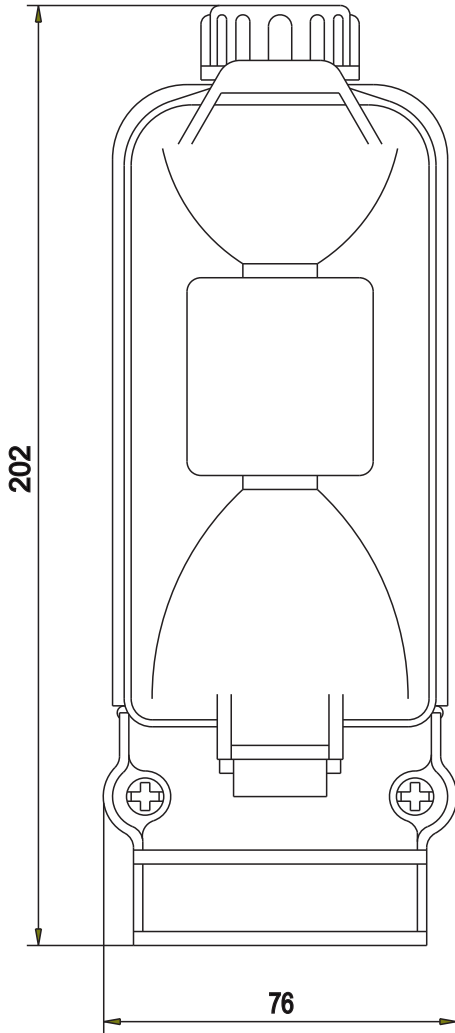
A

B

B

C

C



Customer Drawing

REV.	MODIFICATION	DATE	N.

2020	DATE	NAME
DRAWN	21.01.	Valerius
CHECKED		

EKM-1271

NAMING:

CD-384-EKM-1271

DRAWING NO.:

**TE** connectivity  
Tyco Electronics  
Raychem GmbH  
Werk Berlin

CD-384-EKM-1271.cdr  
CAD NO.:

REPLACEMENT FOR:

1 2 3 4

D

D