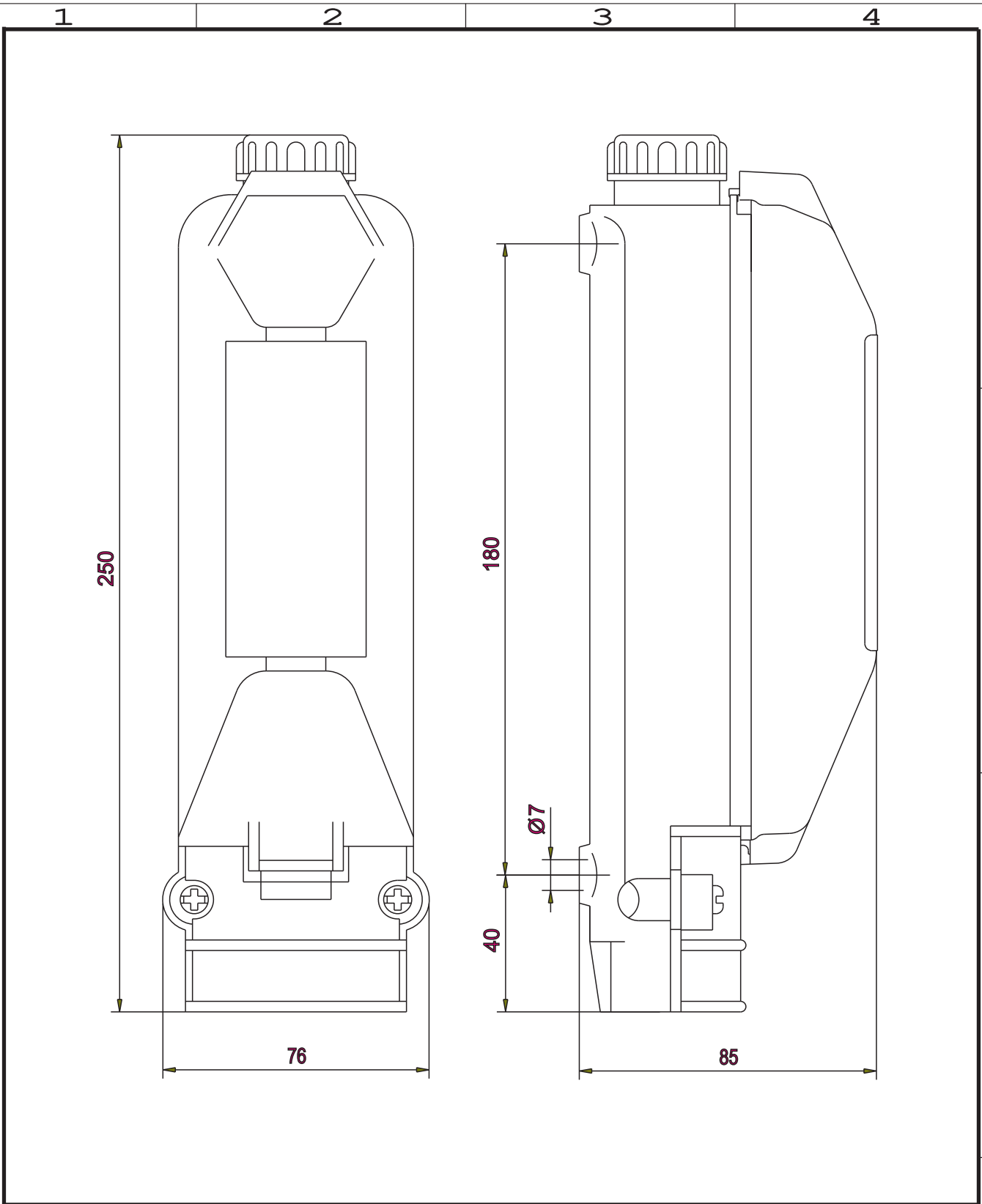



Copying of the document and giving it to other and the use or communication of the contents thereof, are forbidden without express authority. Offenders are liable to the payment of damages. All rights are reserved in the event of the grant of a patent or the registration of a utility model or design.



Customer Drawing							
				2020	DATE	NAME	EKM-1275
	DRAWN	21.01.	Valerius	NAMING:			
	CHECKED						CD-370-EKM-1275
				DRAWING NO.:			
							REPLACEMENT FOR:
REV.	MODIFICATION	DATE	N.	 Tyco Electronics Raychem GmbH Werk Berlin			
				CD-370-EKM-1275.cdr			
				CAD NO.:			